

PC23 | PC43

Desktop Printer

PC23d, PC43d, PC43t



User Manual

Intermec Technologies Corporation

Worldwide Headquarters

6001 36th Ave.W.

Everett, WA 98203

U.S.A.

www.intermec.com

The information contained herein is provided solely for the purpose of allowing customers to operate and service Intermec-manufactured equipment and is not to be released, reproduced, or used for any other purpose without written permission of Intermec Technologies Corporation.

Information and specifications contained in this document are subject to change without prior notice and do not represent a commitment on the part of Intermec Technologies Corporation.

© 2012 by Intermec Technologies Corporation. All rights reserved.

The word Intermec, the Intermec logo, Norand, ArciTech, Beverage Routebook, CrossBar, dcBrowser, Duratherm, EasyADC, EasyCoder, EasySet, Fingerprint, i-gistics, INCA (under license), Intellitag, Intellitag Gen2, JANUS, LabelShop, MobileLAN, Picolink, Ready-to-Work, RoutePower, Sabre, ScanPlus, ShopScan, Smart Mobile Computing, SmartSystems, TE 2000, Trakker Antares, and Vista Powered are either trademarks or registered trademarks of Intermec Technologies Corporation.

There are U.S. and foreign patents as well as U.S. and foreign patents pending.

Wi-Fi is a registered certification mark of the Wi-Fi Alliance.

Microsoft, Windows, and the Windows logo are registered trademarks of Microsoft Corporation in the United States and/or other countries.

Bluetooth is a trademark of Bluetooth SIG, Inc., U.S.A.

Contents

Before You Begin.....	ix
Safety Information.....	ix
Safety Precautions.....	ix
Global Services and Support.....	x
Who Should Read This Manual.....	xi
Related Documents.....	xii
Patent Information.....	xii

1 About the Printers 1

About the PC23 and PC43.....	2
------------------------------	---

Printer Features.....	3
About the Ready-to-Work™ Indicator.....	6

About the LCD Interface.....	7
About the Ready Screen.....	8
View Basic Printer and Connection Information.....	9
About the Main Menu.....	11
Navigate in the Main Menu.....	11
About the Onscreen Keypads.....	13
About the Printer Wizards.....	14
Use a Wizard.....	16
About the Icon Front Panel.....	16

About Printer Languages.....	18
About ESim/ZSim Auto-Configuration.....	18
Set the Command Language from the Printer Web Page.....	19
Set the Command Language from the Main Menu.....	19

Mount the Printer on a Wall.....	20
PC23 Wall-Mounting Template.....	22
PC43 Wall-Mounting Template.....	23

Printer Options and Accessories.....	24
About the Battery Base.....	25
Battery Precautions.....	26
Charge the Battery.....	27
Use the Battery Base.....	28

2 Set Up the Printer	31
Adjust the Media Holders	32
Load Media for Straight-Through Printing	34
Load Media for Cut-Off Printing	40
Load Media for the Label Dispenser	45
Load Ribbon	50
Use External Media	54
Connect the Printer to Power	54
Use the Setup Wizard	55
Print Print Quality Labels from the Main Menu	55
Print Quality Labels	56
Print Configuration Labels from the Main Menu	59
Configuration Labels	59
Media Settings	63
3 Connect the Printer	67
About Printer Drivers	68
Install Printer Drivers	68
Connect the Printer with USB	69
Connect the Printer Using a Serial or Parallel Cable	70
Serial Port Settings	71
Connect the Printer to an Ethernet Network	73
Ethernet Settings	74

About Wi-Fi Communications	75
Connect the Printer to a Wireless Network	75
Configure Wi-Fi Communications From the Printer Web Page.	77
Wireless 802.11 General Settings	78
Wireless 802.11 Network Settings	79
Wireless 802.11 Security Settings.	80
About Bluetooth Communications	82
Connect to a Bluetooth Device by Reading a Bar Code	83
Connect to a Bluetooth Device Using a Wizard	84
Connect to the Printer Through Bluetooth	84
Configure Bluetooth Communications from the Main Menu	85
Configure Bluetooth Communications from the Web Page	85
Bluetooth Settings	86
About USB Devices.	87
Connect a USB Device.	88

4 Configure the Printer 91

About Printer Configuration.	92
Configure the Printer From the Main Menu	92
About the Printer Web Page	94
View the Printer Web Page	95
View Printer Statistics	96
Statistics	97
Configure the Printer From the Web Page.	100
View the Configuration Summary	101
About Printer Profiles	102
Create or Load a Printer Profile	103
Export or Upload Configuration Files	103
Upload or Export Applications and Files	104
Print a File from a USB Storage Device.	105
Upload or Delete Applications and Resources	105

5	Troubleshoot the Printer	107
	Call Product Support	108
	Locate the Printer Configuration and Serial Numbers	109
	About Printer System Information	109
	View Printer Statistics	110
	Check the Printer Odometer	111
	About Alerts	112
	Configure Alerts	113
	Maintenance and Error Alert Messages	114
	Restore Defaults on the Printer	115
	Restore Defaults from the Printer Web Page	116
	Restore Defaults from the Main Menu	117
	About Firmware Upgrades	118
	Upgrade Firmware from the Printer Web Page	119
	Upgrade Firmware with a USB Storage Device	119
	Upgrade Firmware from the USB Menu	120
6	Maintain the Printer	123
	Clean the Printhead	124
	Replace the Printhead	124
	Clean the Platen Roller	127
	Clean the Exterior of the Printer	128
	Recommended Cleaners	129
A	Specifications and Default Settings	131
	Printer Specifications	132
	Supported Bar Code Symbologies	137
	Bluetooth Settings	140
	Display and Audio Settings	141

Error, Information, and Warning Alert Settings	142
Error Alerts	143
Information Alerts	144
Warning Alerts	144
Ethernet Settings	145
General System Settings	146
Media Settings	147
Print Quality Settings	150
Serial Port Settings	150
System I/O Settings	151
System Network Services	152
System Maintenance Alert Settings	153
Wireless 802.11 General Settings	154
Wireless 802.11 Network Settings	155
Wireless 802.11 Security Settings	156
B Print Labels with INPrint	159
About the INPrint Page	160
Predefined INPrint Label Formats	160

Contents

Before You Begin

This section provides you with safety information, technical support information, and sources for additional product information.

Safety Information

Your safety is extremely important. Read and follow all warnings and cautions in this document before handling and operating Intermec equipment. You can be seriously injured, and equipment and data can be damaged if you do not follow the safety warnings and cautions.

This section explains how to identify and understand dangers, warnings, cautions, and notes that are in this document. You may also see icons that tell you when to follow ESD procedures and when to take special precautions for handling optical parts.



Caution: A caution alerts you to an operating procedure, practice, condition, or statement that must be strictly observed to prevent equipment damage or destruction, or corruption or loss of data.



Note: Notes either provide extra information about a topic or contain special instructions for handling a particular condition or set of circumstances.

Safety Precautions

- Read and review this manual carefully before connecting the printer.
- Because moving parts are exposed when the cover is open, ensure that the cover is closed before you operate the printer.
- Do not put your fingers inside the print mechanism when the power is on.
- Place the printer on an even surface which can safely support its weight and supplies.
- Do not spray the printer with water. If you are using a hose to clean the premises in an industrial environment, remove the printer or carefully protect it from spray and moisture.

Before You Begin

- You must implement both hardware and software safety precautions to prevent the possibility of undefined system states.
- You must ensure that dangerous conditions cannot occur under any circumstances, even for a brief period of time.
- Observe all safety and accident prevention regulations applicable to your specific region and application.
- Before you use a cleaning card, carefully read the warning text on the envelope.
- Replace only with same type and rating of fuse to ensure continued protection against risk of fire.
- If you are using the printer with the Battery Base:
 - Risk of explosion if battery is replaced by an incorrect type.
 - Use of another battery may present a risk of fire or explosion.
 - The battery may present a fire or chemical burn hazard if mistreated. Do not disassemble the battery, heat above 100°C (212°F), or incinerate.
 - Dispose of any used batteries according to the instructions.



Note: This equipment may be used on an IT power system.

Global Services and Support

Warranty Information

To understand the warranty for your Intermec product, visit the Intermec web site at www.intermec.com and click **Support > Returns and Repairs > Warranty**.

Disclaimer of warranties: The sample code included in this document is presented for reference only. The code does not necessarily represent complete, tested programs. The code is provided “as is with all faults.” All warranties are expressly disclaimed, including the implied warranties of merchantability and fitness for a particular purpose.

Web Support

Visit the Intermec website at www.intermec.com to download our current manuals (in PDF).

Visit the Intermec technical knowledge base (Knowledge Central) at www.intermec.com and click **Support > Knowledge Central** to review technical information or to request technical support for your Intermec product.

Send Feedback

Your feedback is crucial to the continual improvement of our documentation. To provide feedback about this manual, please contact the Intermec Technical Communications department directly at TechnicalCommunications@intermec.com.

Telephone Support

In the U.S.A. and Canada, call **1-800-755-5505**.

Outside the U.S.A. and Canada, contact your local Intermec representative. To search for your local representative, from the Intermec web site, click **About Us > Contact Us**.

Who Should Read This Manual

This user manual is for the person who is responsible for installing, configuring, operating, and maintaining the PC23 and PC43 printers.

This document provides you with information about the features of the printer, and how to install, configure, operate, maintain, and troubleshoot it.

Before you work with the printer, you should be familiar with your printer command language and general printing setup. If you are going to use the printer in a network, you should be familiar with your network and general networking terms, such as IP address.

Related Documents

The Intermec web site at www.intermec.com contains our documents (as .pdf files) that you can download for free.

To download documents

- 1 Visit the Intermec website at www.intermec.com.
- 2 Click the **Products** tab.
- 3 Using the **Products** menu, navigate to your product page. For example, to find the PC43 product page, click **Printers > Desktop > PC43**.
- 4 Click the **Manuals** tab.

If your product does not have its own product page, click **Support > Manuals**. Use the **Product Category**, the **Product Family**, and **Product** to find your documentation.

Patent Information

Product is covered by one or more of the following patents:

5,110,226; 5,180,232; 5,186,558; 5,206,662; 5,473,984; 5,484,991;
5,488,223; 5,542,487; 5,5486,88; 5,562,034; 5,564,841; 5,581,293;
5,593,238; 5,601,373; 5,623,297; 5,625,399; 5,625,401; 5,638,106;
5,693,931; 5,714,995; 5,746,521; 5,751,330; 5,781,708; 5,803,635;
5,841,954; 5,853,252; 5,859,656; 5,890,817; 5,897,255; 5,915,864;
5,915,865; 5,927,876; 5,940,107; 5,946,020; 5,988,898; 6,015,241;
6,023,284; 6,025,861; 6,042,279; 6,068,418; 6,068,420; 6,088,049;
6,092,940; 6,099,176; 6,126,348; 6,146,030; 6,151,055; 6,175,376;
6,189,788; 6,203,131; 6,210,054; 6,232,994; 6,283,651; 6,345,920;
6,350,071; 6,462,765; 6,505,982; 6,585,437; 6,618,162; 6,665,089;
6,685,371; 6,732,451; 6,791,591; 6,802,659; 7,245,227; 7,274,384;
7,324,125; 7,329,449; 7,338,914; 7,450,265.

There may be other U.S. and foreign patents pending.

1

About the Printers

This chapter introduces the PC23 and PC43 printers, and includes descriptions of printer features and basic operation.

About the PC23 and PC43

The PC23 and PC43 printers are compact, easy-to-use bar code label printers that fit easily on a desktop. The printers can be connected to a single desktop PC for stand-alone operation or to a wired or wireless network for ease of connectivity.

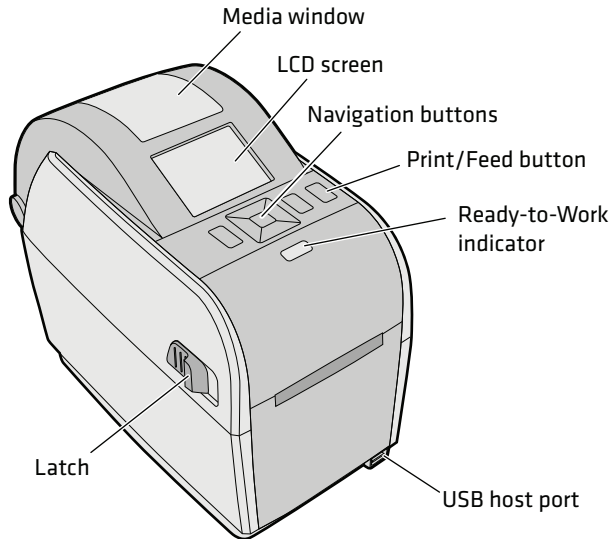
Both printers are available in direct thermal (DT) models. The PC43 is also available in a thermal transfer (TTR) model for printing with a ribbon.

Features of both printers include:

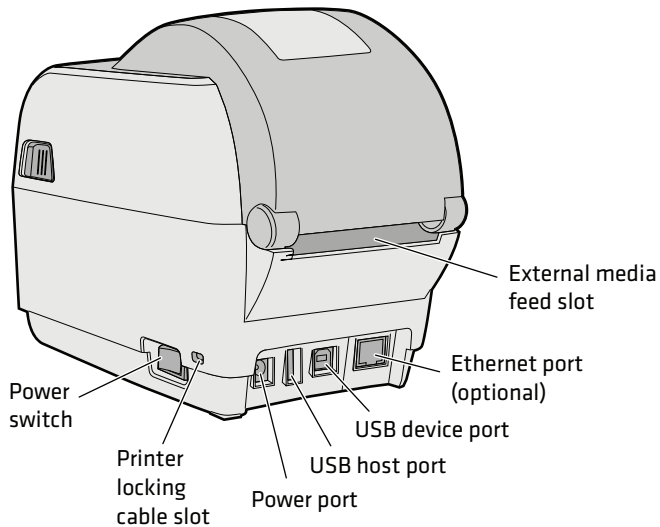
- Print speeds of up to 8 ips (203 dpi printhead) or 6 ips (300 dpi printhead)
- Multiple, selectable printer languages including Intermec Fingerprint, Direct Protocol, Intermec Printer Language (IPL), ESim, and ZSim
- Optional Wi-Fi/Bluetooth dual radio module
- Optional Ethernet module
- USB ports for storage devices, keyboards, or scanners, and for connections to a PC (including serial or parallel connections with appropriate adapters)
- (PC43t only) Support for 12 mm (0.5 in) or 25 mm (1.0 in) ribbon core sizes
- LCD or icon/LED interface available
- Available RFID module (factory-installed only: HF for PC23, UHF for PC43)
- Complete range of accessories

Printer Features

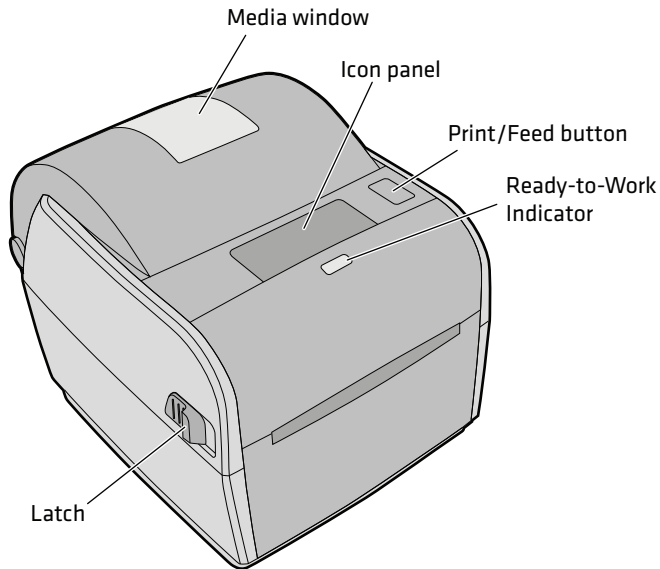
Use the next illustrations to locate printer features.



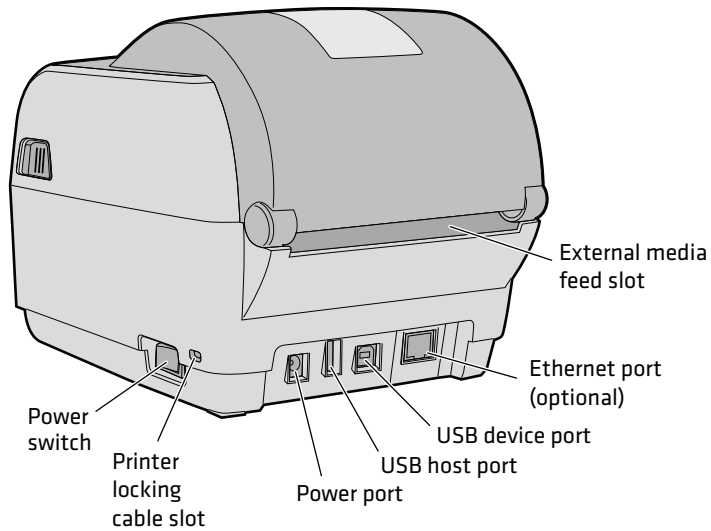
PC23d Front Panel (LCD Model)



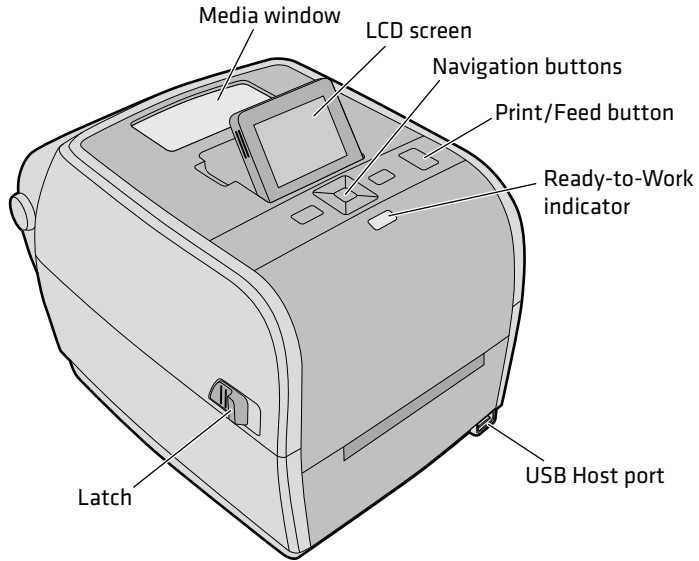
PC23d Rear Panel



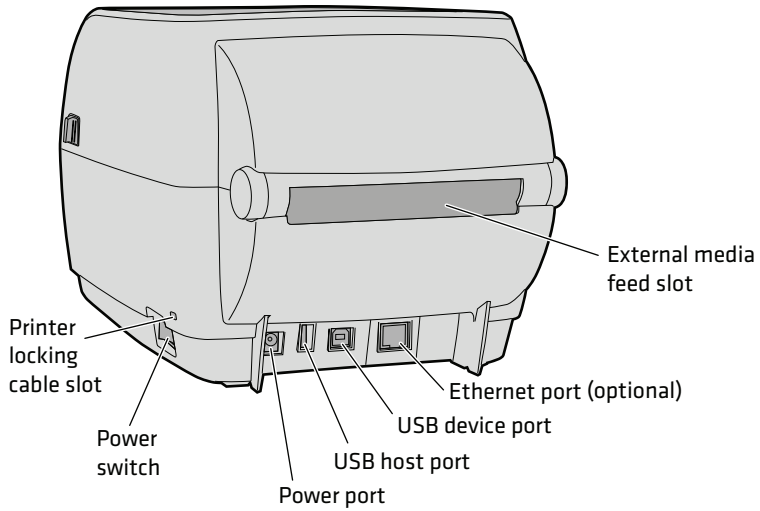
PC43d Front Panel (Icon Model)



PC43d Rear Panel



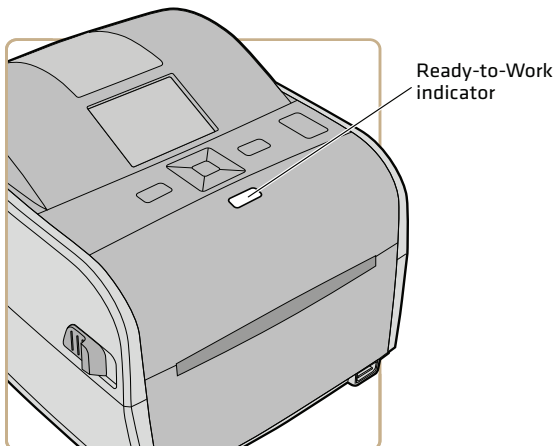
PC43t Front Panel (LCD Model)



PC43t Rear Panel

About the Ready-to-Work™ Indicator

The Ready-to-Work™ indicator on the front of the printer turns on when the printer is ready to print.

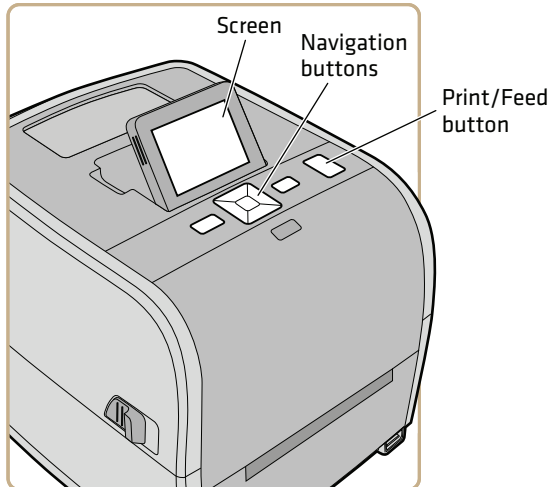


Ready-to-Work Indicator Location

Ready-to-Work™ Indicator Status	Description
On	Printer is ready for a print job.
Blinking	Printer is not ready for a print job.
Off	Printer is turned off, not communicating, or not ready to print. For example, the printer may still be starting up, or a firmware upgrade is underway.

About the LCD Interface

The printer LCD interface includes a screen, navigation buttons, and a Print/Feed button.

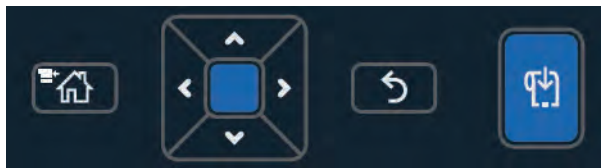


PC43t Printer with LCD Interface

On the PC43t, you can adjust the screen for the best viewing angle.







Caution: Do not tilt the screen past its maximum angle or you could damage the screen.



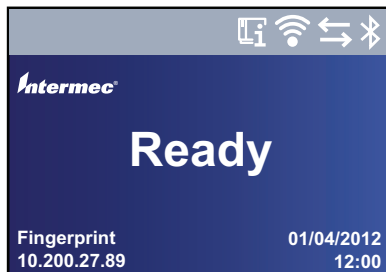
LCD Interface Navigation and Print/Feed Buttons

LCD Interface Navigation Button Descriptions

Button	Description
	Menu/Home button. From the Ready screen, press to toggle between the Ready screen and the printer Main Menu.
	Directional pad: Press ▲ , ▼ , ◀ , or ▶ to move the selection highlight to another item. Press ■ to select the highlighted item and to save settings in a menu or list.
	Back button. Press to return to the previous menu or page.
	Print/Feed button. Press to begin printing, or to feed a single label.

About the Ready Screen

After you turn the printer on, the Ready screen appears when the printer is finished starting up and is ready to print.



PC23 and PC43 Ready Screen














Note: Icons for Wi-Fi and Bluetooth status appear only when the optional Wi-Fi/Bluetooth module is installed. The IP address appears when the printer is connected to an Ethernet or wireless network.

By default, the bottom of the screen shows the printer command language, the IP address, and the time and date. You can customize the screen as necessary to show different kinds of information.

The status bar at the top of the screen includes these information and status icons:

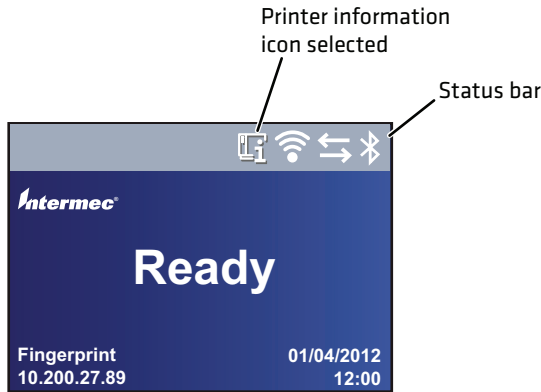
Information and Status Icon Descriptions


Icon	Description
	Printer Information icon. Select this icon to view basic printer information.
	Wi-Fi Connection icon. This icon appears when the Wi-Fi/Bluetooth module is installed in the printer and shows the strength of the Wi-Fi connection: <div data-bbox="487 508 628 540"> - Strong.</div> <div data-bbox="487 557 615 589"> - Good.</div> <div data-bbox="487 605 615 638"> - Weak.</div> <div data-bbox="487 654 659 686"> - No signal.</div> <div data-bbox="487 703 736 735"> - Wi-Fi is disabled.</div>
	Connectivity icon. Blinks when data is moving through a wired or wireless connection to the printer.
	Bluetooth icon. This icon appears when the Wi-Fi/Bluetooth module is installed: <div data-bbox="487 881 770 914"> - Bluetooth is enabled.</div> <div data-bbox="487 930 776 963"> - Bluetooth is disabled.</div>

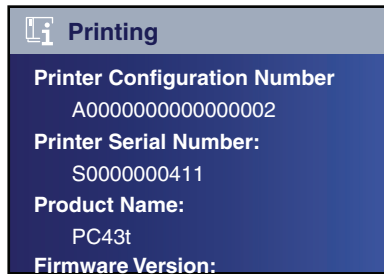
View Basic Printer and Connection Information







In the Ready screen, use the control panel buttons to select an icon in the status bar at the top of the screen to view printer or connection information.

- 1 Press any arrow key to select the one of the icons in the status bar at the top of the Ready screen.




- 2 Press . A list of basic printer or connection information appears.



- 3 Press  or  to scroll through the list.
(Optional) Press  or  to view information for one of the other icons.
- 4 Press  or  to return to the Ready screen.

About the Main Menu

In the printer Ready screen, press  to view the Main Menu.



Press  and  to highlight Main Menu items, and then press  to select that item:

- Select **Programs** to see a list of programs installed on the printer. This list includes utility programs provided by Intermec as part of the printer firmware, and programs you have installed on the printer.
The **Programs** item appears in the Main Menu only if the printer is using Fingerprint or Direct Protocol as the command language.
- Select **Settings** to view and change printer settings.
- Select **Tools** to print test labels, manage a connected USB storage device, restore printer default settings, or save and load printer profiles.
- Select **Wizards** to see a list of wizards that help you configure printing or communication settings, or calibrate the media sensors.





Note: The printer cannot print while the Main Menu is onscreen. You need to exit the Main Menu and return to the Ready screen to begin printing.

Navigate in the Main Menu

Use the navigation buttons to select menus and menu items.

In the Main Menu:

- Press  to toggle between the Main Menu and the Ready screen.
- Press  to return to the Ready screen.

In the Programs, Settings, Tools, or Wizards menus:

- Press **▲** and **▼** to change the item in the list, and then press **■** (the center of the directional pad) to select the item. Another menu or a list of items appears.
- Press **↶** to return to the previous screen or menu.
- Press **⏪** to return to the Ready screen.

In any list of items, press **▼** or **▲** to select another item in the list, and then press **■**.

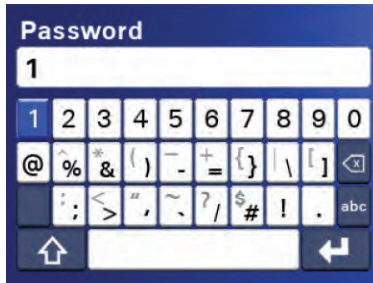
- If the item you selected requires you to select an option from a preset list, press **◀** or **▶** to scroll through the list items.
- If the item you selected requires alphabetic or numeric input, such as Network Name, press **■** and use the alphanumeric or numeric keypad on the screen to type a value.
- If you changed the value for an item, press **■** to save your changes. A “Saving...” message briefly appears to confirm that your changes have been saved.
- Press **↶** to return to the previous screen. If you made changes without saving them, you are prompted to save your changes:
 - Select **Yes** to save your changes and return to the previous screen.
 - Select **No** to abandon your changes and return to the previous screen.
 - Select **Cancel** to abandon your changes and remain on the current screen.

About the Onscreen Keypads

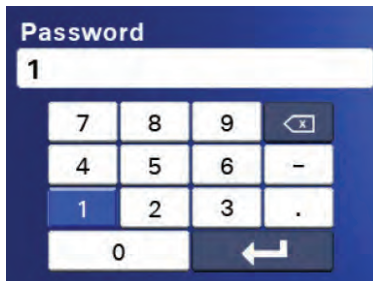
When you are changing settings, you may need to use the alphanumeric or numeric keypads on the screen.



Alphanumeric Keypad - Alphabetic Characters



Alphanumeric Keypad - Numeric Characters and Punctuation



Numeric Keypad

For either keypad:

- Press **^**, **∨**, **◀**, or **▶** to select a character, and then press **■** to enter that character.
- Press **ⓧ** to delete the last character you entered.

For the alphanumeric keypad only:

- Select **123** or **ABC** and then press **■** to toggle between the alphabetic and numeric keys.
- In the alphabetic keypad, select **Ⓢ** and then press **■** to toggle between uppercase and lowercase letters.
- In the numeric keypad, select **Ⓢ** and then press **■** to toggle between shifted and unshifted key characters. For example, do this to toggle between \$ and # in the numeric keypad.

When you are finished typing characters, press **⏪** to return to the list of items.

About the Printer Wizards

The printer firmware includes several wizards you can use to quickly set up printing and communications. You can start the wizards from the Main Menu.



Printing Wizards

Name	Description
Media Setup	Select media and printing type (DT or TTR), media width, length, and X-margin, Start and Stop Adjust values, and print speed.
Print Quality	Prints a series of labels to test print quality.
Loading Media	Shows how to load media.

Printing Wizards (continued)

Name	Description
Loading Ribbon	(TTR printers only) Shows how to load a roll of ribbon.










Communications Wizards

Name	Description
Line Analyzer	Logs all incoming data on all communications channels and saves the data to a log file. For experienced users.
Wireless 802.11	Looks for wireless networks and sets up Wi-Fi communications. This item appears in the Communications wizards list when the optional Wi-Fi/Bluetooth module is installed.
Bluetooth	Looks for discoverable Bluetooth devices and sets up Bluetooth communications. This item appears in the Communications wizards list when the optional Wi-Fi/Bluetooth module is installed.

Calibration Wizard

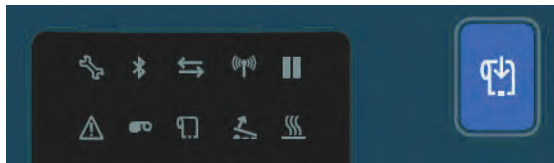
Name	Description
Media	Calibrates the label gap sensor and shows current print settings.
RFID	Calibrates the RF power setting for the RFID module and adjusts RFID tag media settings for best performance. This item appears in the Calibration wizards list when the optional RFID module is installed in the printer.
Label Taken Sensor	Calibrates the label taken sensor. This item appears in the Calibration wizards list when the label dispenser or cutter accessory is installed.

Use a Wizard

- 1 From the Ready screen, press . The Main Menu appears.
- 2 Select **Wizards** and press .
- 3 Select a category and press .
- 4 Select a wizard from the list and press . The wizard begins.
- 5 In a wizard:
 - Use  or  to select items in a list.
 - Press  to select the highlighted item.
 - Select  and press  to continue to the next screen.

About the Icon Front Panel

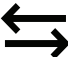

The icon front panel includes a graphical panel and a Print/Feed button.











Icon Front Panel

As you use the printer, the icons turn on or off to indicate printer status.

Icon Front Panel - Status Icons

Icon	Color and Description	Printer Models
	Flashing: Sending or receiving data Steady: No data in motion through the network connection Off: No connection	All
	On: Wi-Fi is enabled Off: Wi-Fi is not enabled, or Wi-Fi/Bluetooth module is not installed	With Wi-Fi/Bluetooth module

Icon Front Panel - Status Icons (continued)

Icon	Color and Description	Printer Models
	On: Bluetooth is enabled Off: Bluetooth is not enabled, or Wi-Fi/Bluetooth module is not installed	With Wi-Fi/Bluetooth module
	On: Media is jammed or empty Off: No error	All
	On: Ribbon is jammed or empty Off: No error	TTR only
	On: Printer lid is open or not latched properly Off: Printer lid is closed correctly	All
	On: Printer is paused Off: Printer is not paused	All
	On: General error Off: No errors	All
	On: Printhead too hot Off: Printhead temperature OK	All
	Steady: Maintenance needed; odometer setting reached; Firmware upgrade in progress Flashing: Firmware is currently resetting all defaults, or printer in calibration mode	All

About Printer Languages

The printer uses the Intermec Fingerprint printer command language by default. You can load and run Fingerprint programs and send Fingerprint commands or Direct Protocol print jobs directly to the printer.

The printer supports these command languages:

- Direct Protocol (DP)
- IPL (Intermec Printer Language)
- ESim (EPL command language simulator)
- ZSim (ZPL command language simulator)

You can change the default printer command language through the printer web page, the Main Menu, or PrintSet.

About ESim/ZSim Auto-Configuration

Use the ESim/ZSim auto-configuration feature when you are replacing another printer whose command language is unknown.

When the printer command language is set to ESim/ZSim, on its first run the printer automatically calibrates the media, identifies the command language of the first incoming print job, configures the printer for the appropriate language (ESim or ZSim), and prints the label.



Note: Load media before you turn the printer on, since the printer automatically calibrates the media when it starts in ESim/ZSim auto-configuration mode.

The data stream must be at least 10 bytes long. Command language identification is activated after a 2-second timeout, or when the data buffer is full (1 MB).

The printer command language is saved to memory, and remains set to ESim/ZSim until you change this setting.

Set the Command Language from the Printer Web Page

The printer uses Fingerprint by default. Follow this procedure to change the command language from the printer web page.



Note: To use this procedure, the printer must be connected to your Ethernet or Wi-Fi network.


- 1 On your PC, open a browser.
- 2 In the **Location** or **Address** bar, type the printer IP address and press **Enter**. The printer web page appears.
- 3 Click **Login**. The Login page appears.
- 4 Type your **Username** and **Password** and click **Login**. The default username is `itadmin` and the default password is `pass`.
- 5 Click the **Configure** tab.
- 6 Click **System Settings > General**.
- 7 Select a different printer command language from the **Command Language** list, and then click **Save**.
- 8 Click the **Services** tab.
- 9 Click **Reboot Printer**, and then click **Reboot**. The printer restarts in the command language you selected.




Set the Command Language from the Main Menu

The printer uses Fingerprint by default. Follow this procedure to change the command language from the printer Main Menu.



Note: If you are using an icon printer without an Ethernet or Wi-Fi network, you must use PrintSet to set the default printer command language.

- 1 From the Ready screen, press . The Main Menu appears.
- 2 In the Main Menu, select **Settings > System Settings > General**.
- 3 In the **General** settings list, press **▼** to scroll to **Command Language**.
- 4 Press **>** or **<** to select a different command language.

- 5 Press  or . A confirming message appears asking if you want to save your changes.
- 6 Press  to save your changes.



Note: If you are prompted to enter a password for ZSim, the password is 1138. To return to the Fingerprint menu system from ZSim, the password is 8311.

Mount the Printer on a Wall

You can mount the printers vertically on a wall or other surface. The printer must be mounted so the media output slot faces down. Use the following guidelines for selecting a mounting location:

- Choose a location within 1.5 m (5 ft) of an electrical outlet.
- Choose appropriate mounting hardware (not supplied) for the mounting surface.
- The mounting hardware must provide at least 6 mm (0.25 in) of clearance between the mounting surface and the bottom of the screw head. The screw head width should be 6 to 8 mm (0.24 to 0.33 in).
- Intermec recommends that you use pan-head or flathead screws with appropriate anchors for drywall, or for cement, concrete block, or plasterboard walls. Use wood screws only for wooden surfaces, and ensure the screw is long enough to be sunk to a depth of at least 12.5 mm (0.5 in).



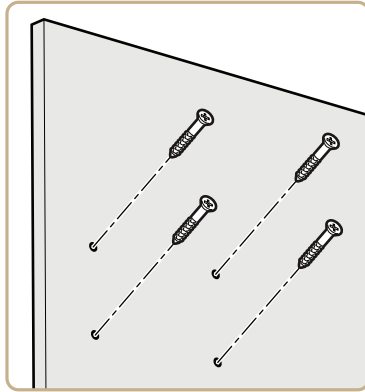
Be sure that the mounting surface can safely support the weight of the printer.

- 1 Choose the appropriate wall-mount template for your printer and use the template to locate and drill holes in the mounting surface.

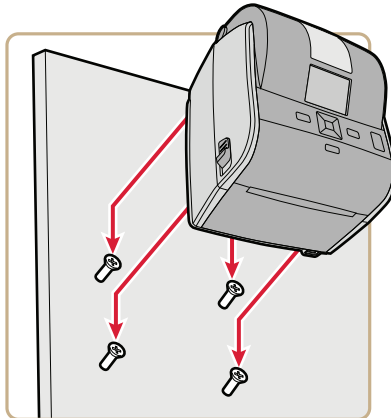


Note: For mounting to wood surfaces, use a drill of 5 to 8 mm (0.2 to 0.3 in), or as appropriate for your mounting hardware.

- 2** Install the mounting hardware. If you need to use anchors, install them first.

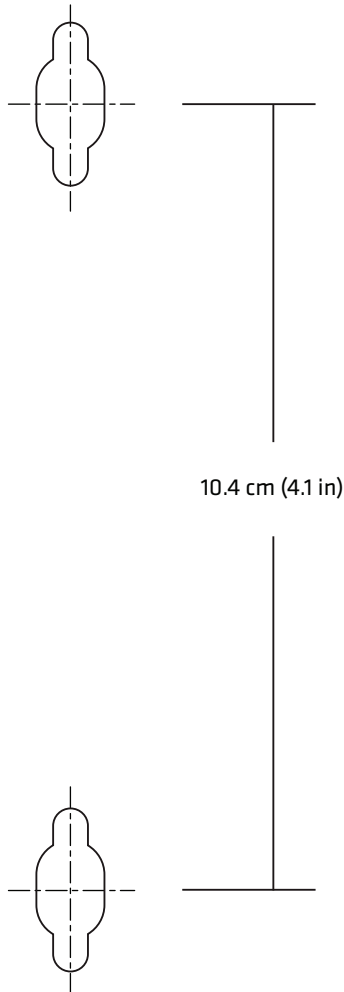


- 3** Place the printer mounting holes on the mounting hardware and slide the printer down to lock it in place.



PC23 Wall-Mounting Template

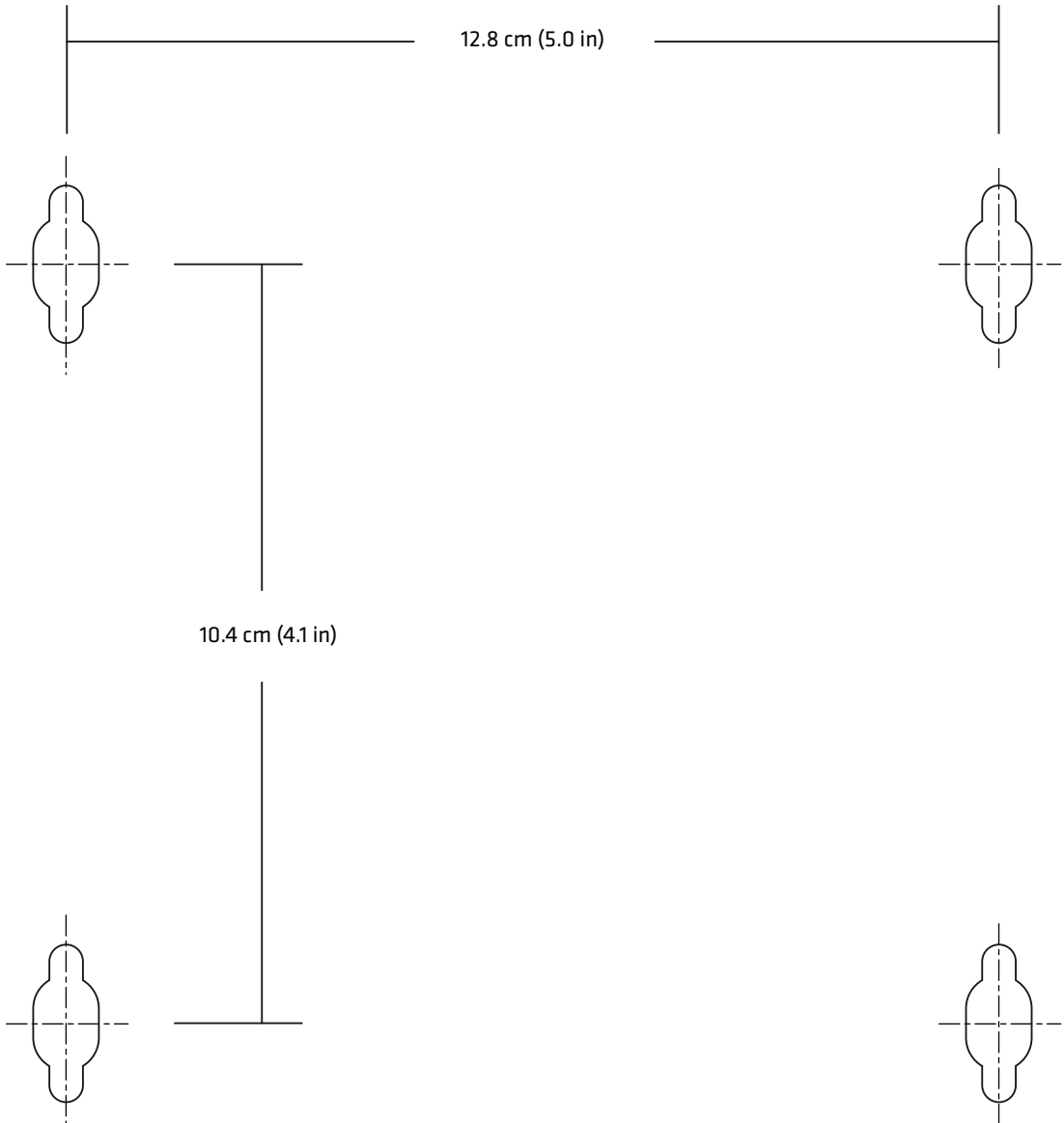
Use this template to correctly locate wall-mounting hardware for the PC23d printer.



PC23 Wall-Mounting Template

PC43 Wall-Mounting Template

Use this template to correctly locate wall-mounting hardware for the PC43d and PC43t printers.



PC43 Wall-Mounting Template

Printer Options and Accessories



Note: Some printer configurations do not support all accessories. For more information, contact your local Intermec representative.

Accessory	Description
300-dpi Printhead	Replaces the standard 203-dpi printhead.
USB-to-Serial Adapter	USB to RS-232 adapter. Connects to printer USB Host port and provides serial connectivity to a PC.
USB-to-Parallel Adapter	USB to IEEE 1284 adapter. Connects to printer USB Host port and provides DB25 connectivity to a PC or other equipment.
Ethernet Module	RJ-45 adapter installs on back panel of printer and provides IEEE 802.3 Ethernet connection. Supports 10BaseT and 100BaseTx. Ethernet and Wi-Fi/Bluetooth modules can be installed at same time.
Wi-Fi/Bluetooth Module	Radio module can be installed in all printers and provides Wi-Fi and Bluetooth connectivity. Wi-Fi/Bluetooth and Ethernet modules can be installed at same time. <ul style="list-style-type: none">• Wi-Fi supports static and dynamic WEP, WPA, WPA2, EAP-PEAP, EAP-TTLS, LEAP, EAP-FAST, and EAP-TLS security protocols• Bluetooth v2.1+EDR supported
Label Dispenser Module	Removes paper backing and presents labels one at a time for pickup. Includes Label Taken Sensor.
Cutter Module	Provides automatic cutting as labels are printed. Includes Label Taken Sensor. For PC43.
Cutter Tray	Holds up to 20 labels as they are cut. Installs on Cutter Module. For PC43.
Media Cover Lock Bracket	With customer-supplied lock, allows media cover to be secured.

Accessory	Description
Linerless Module	Non-stick platen roller dispenses printed labels when you use linerless media stock. For PC43.
Battery Base	Pedestal-style base holds rechargeable battery (sold separately) and attaches to base of printer. Uses printer AC power adapter to charge battery. For PC43d.
Rechargeable battery	For use with Battery Base.
Power Adapter Base	Pedestal-style base attaches to base of printer and holds AC power adapter. For PC43d.

These replacement parts are also available for the PC23 and PC43:

- 203-dpi printhead
- Standard platen roller
- AC power adapter

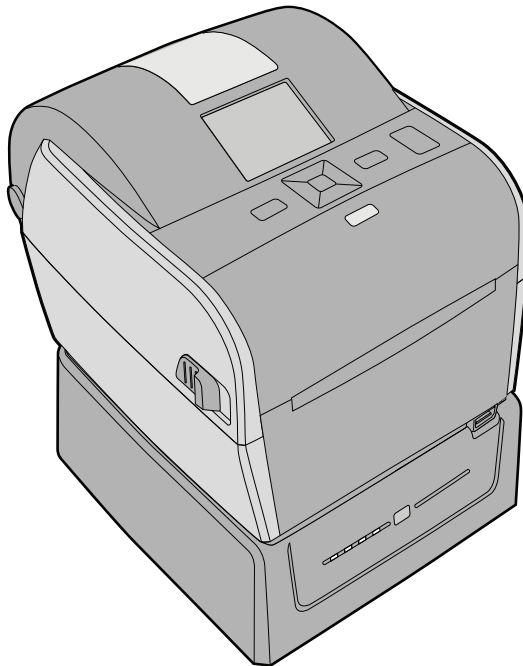
For information on these accessories and replacement parts, contact your Intermec representative.

About the Battery Base

Instead of using the AC power supply, you can use the optional battery base to provide power for the PC43d printer. Depending on your printer duty cycle, the rechargeable battery in the battery base provides up to 8 hours of power.



Note: Battery life depends on many factors. The battery is designed to provide 8 hours of charge (plus one hour of standby time) when you are printing a 150-mm (6-in) label every 7 minutes.



PC43d Printer and Battery Base

For instructions on installing the printer on the battery base, see the *PC43d Battery Base Installation Instructions*.



Note: Printing speed depends on the actual battery charge level.

Battery Precautions

Follow these precautions when using the printer with the Battery Base:

- Use only the battery supplied by Intermec. Risk of explosion if battery is replaced by an incorrect type. Use of another battery may present a risk of fire or explosion.
- The battery may present a fire or chemical burn hazard if mistreated.
- Do not disassemble the battery, heat above 100°C (212°F), or incinerate.

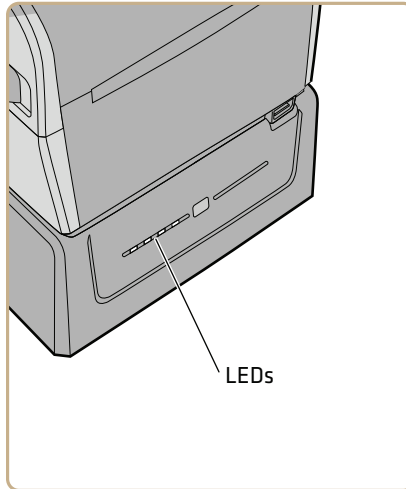
- Dispose of any used batteries according to the instructions that came with the battery.

Charge the Battery









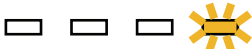
Note: To charge the battery in the battery base, the PC43d must be correctly installed on the base.

To charge the battery, install the printer on the battery base and connect the base to AC power. The battery begins to charge and the battery base LEDs turn on to indicate charge status. The battery is fully charged in 4 hours.



Note: The LEDs do not turn on if the printer power switch is on, or if the battery base is not connected to AC power.

Battery Base LEDs While Printer is Off

LEDs	Battery Charge Level
	95% to 100%
	76% to 94%
	51% to 75%
	26% to 50%
	0% to 25%
	Battery out of charging temperature range.
	Battery error.

Use the Battery Base

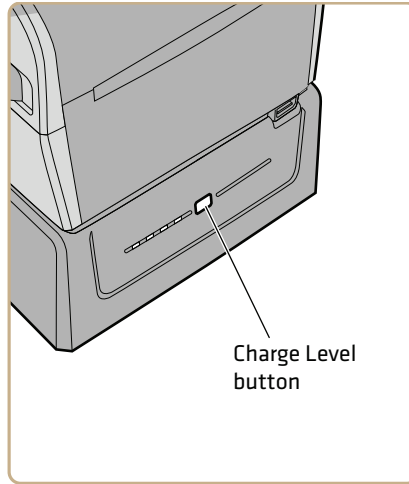
After you charge the battery base, you can use it to supply power to the PC43d printer.



Note: To use the battery base, the PC43d must be installed on the base correctly.

- 1 Install the battery in the battery base and install the printer on the base.
- 2 Charge the battery base.
- 3 Disconnect the power cable from the base.
- 4 Turn the printer on. The base LEDs turn off.

- To see the current battery charge level, press the **Charge Level** button on the front of the base. The base LEDs turn on to show the current charge level, and then turn off after a few seconds to save power.



Battery Base LEDs While Printer is On

LEDs	Battery Charge Remaining
	Battery is 75% to 100% charged.
	Battery is 50% to 74% charged.
	Battery is 25% to 49% charged.
	Battery is 10% to 24% charged.
	Battery is 0% to 9% charged.
	Battery out of operating temperature range.
	Battery error.

2

Set Up the Printer

This chapter explains how to load media and ribbon, print test labels, and adjust the print quality.

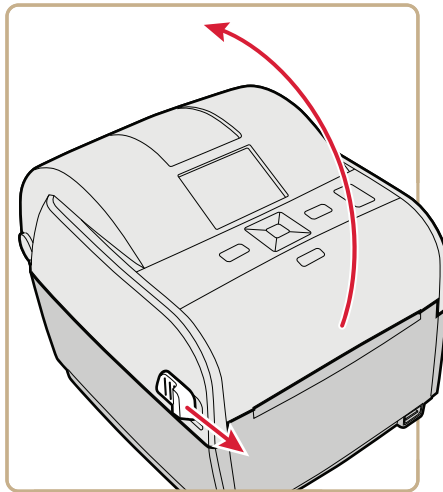
Adjust the Media Holders

The first time you load media in the printer, or when you use different sizes of media, you must adjust the media holders. After you adjust the media holders, you do not need to adjust them again for a new roll of the same size media.

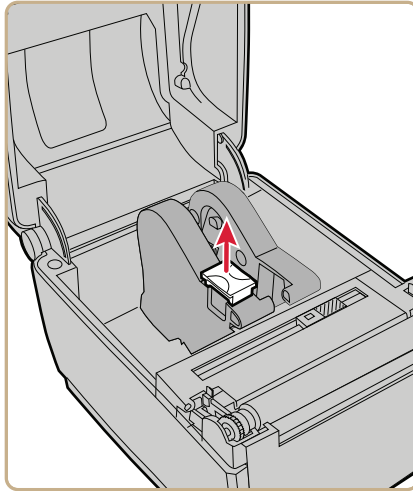


Note: The illustrations show the PC43d printer. Adjusting the media holders is done the same way for all printers.

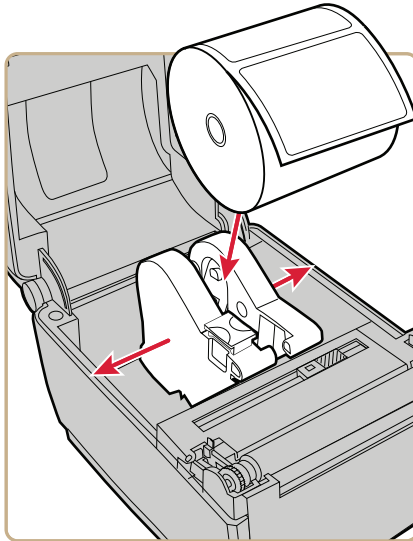
- 1 Pull one or both of the printer latches toward the front of the printer and lift the printer lid.



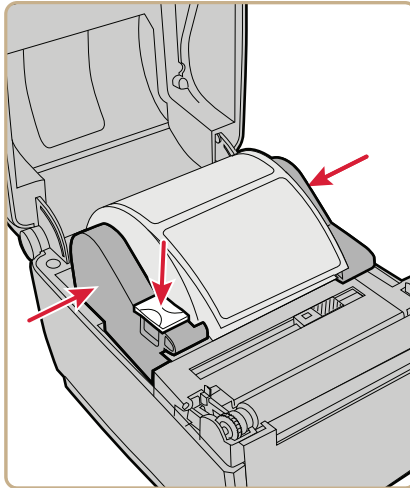
- 2** Pull the locking tab up.



- 3** Slide the media holders to adjust the distance between them, and place the media roll between the holders.



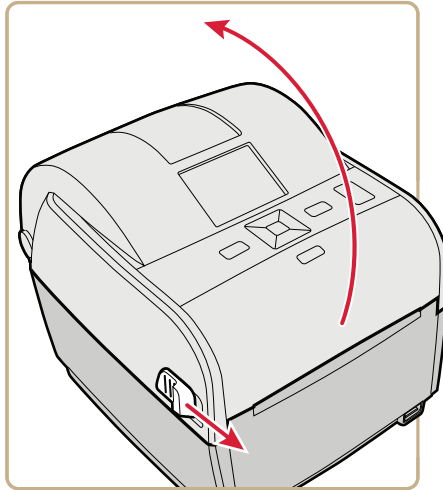
- 4 Make sure the holders are snug against the sides of the media roll, and then press the locking tab down to lock the media holders in place.



Load Media for Straight-Through Printing

In straight-through printing, you manually tear printed labels, tickets, wristbands, and other printed media from the front of the printer. This section explains how to install media for straight-through printing.

- 1** Pull one or both of the printer latches toward the front of the printer and lift the printer lid.



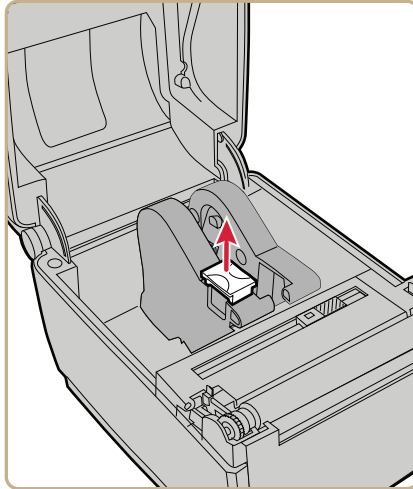
- 2** If there is an empty media core in the media compartment, remove the core.
- 3** If you are going to load the same size media, continue with the next step.

If you are using large rolls of media stored outside the printer, such as in an external media holder, feed the media through the external media feed slot.

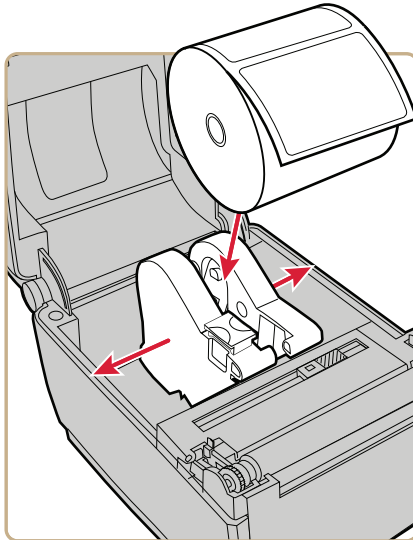
Chapter 2 – Set Up the Printer

To adjust the media holders for a different media size:

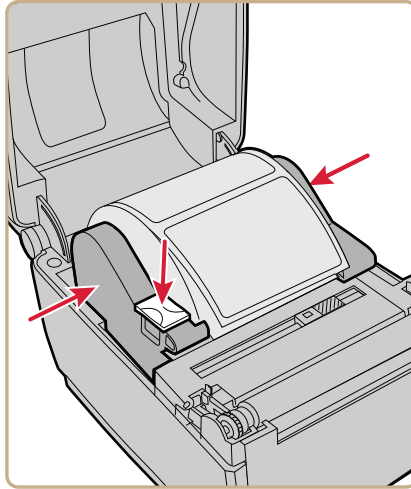
- a Pull the locking tab up.



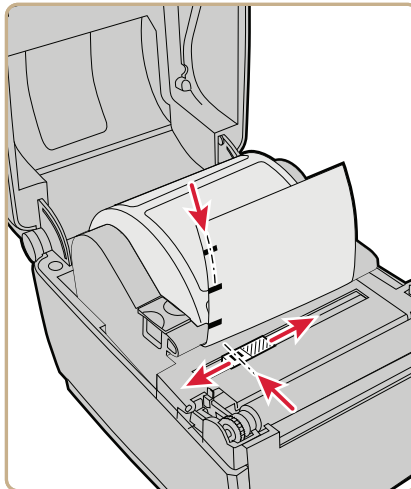
- b Slide the media holders to adjust the distance between them, and place the media roll between the holders.



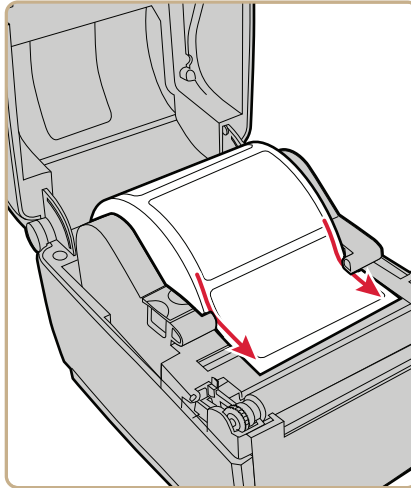
- c Make sure the media holders are snug against the sides of the media roll, and press the tab down to lock the media holders in place.



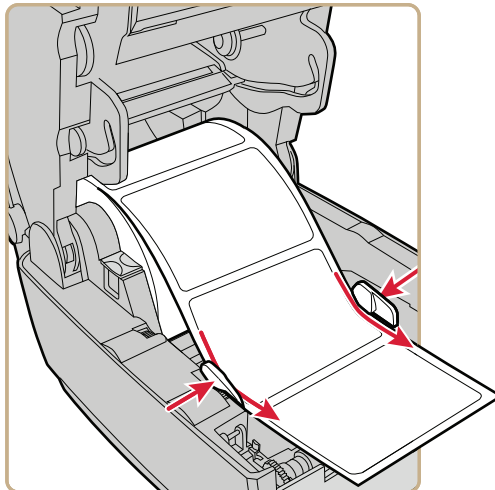
- 4 If you are using notched or black mark stock, slide the black mark sensor so the notches or marks pass over the sensor.



- 5 For the PC23d and PC43d, thread the media under the tip guides on the media holders and past the front of the printer.



For a PC43t, thread the media through the media guides and past the front of the printer. To adjust the width of the media guides, slide the guides as needed to fit your media.



- 6 Close the printer lid until it snaps shut.

- 7 Turn the printer on and adjust the media feed as required. Intermec recommends the following values for straight-through or tear-off printing:

Recommended Feed Adjust Values for PC23d

Setting	203 dpi	300 dpi	Distance
Start Adjust	-113	-168	-14.24 mm (-0.56 in)
Stop Adjust	0	0	0 mm (0 in)

Recommended Feed Adjust Values for PC43d

Setting	203 dpi	300 dpi	Distance
Start Adjust	-124	-183	-15.50 mm (-0.61 in)
Stop Adjust	0	0	0 mm (0 in)

Recommended Feed Adjust Values for PC43t

Setting	203 dpi	300 dpi	Distance
Start Adjust	-108	-160	-13.60 mm (-0.54 in)
Stop Adjust	0	0	0 mm (0 in)



Note: These settings allow for printing from the top edge of the label. You may need to adjust the recommended values slightly depending on your media type, supply method, and roll sizes, or because of individual differences between printers.

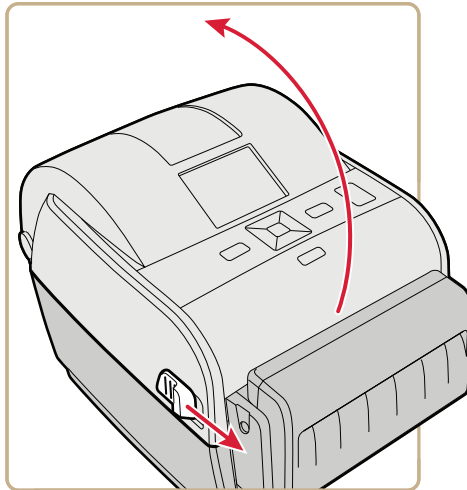
Load Media for Cut-Off Printing



Note: Cut-off printing is supported only by the PC43 printer with the cutter module installed.

For cut-off printing, you must install the automatic cutter accessory. You can print on non-adhesive, continuous label stock. You can also use self-adhesive labels with a liner, but you must cut only the liner. Each label is automatically cut from the media roll immediately after the label is printed. The optional cutter tray accessory installs on the front of the cutter and holds up to 20 labels or tickets.

- 1 Pull one or both of the printer latches toward the front of the printer and lift the printer lid.

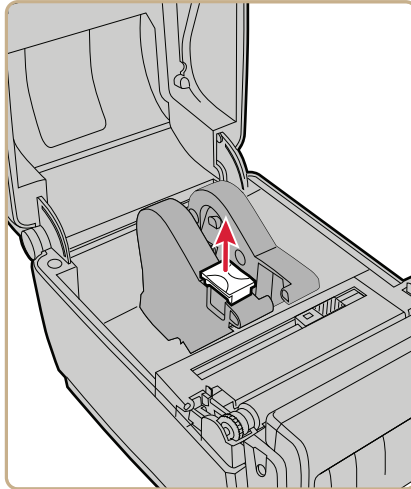


- 2 If there is an empty media core in the media compartment, remove the core.
- 3 If you are going to load the same size media, continue with the next step.

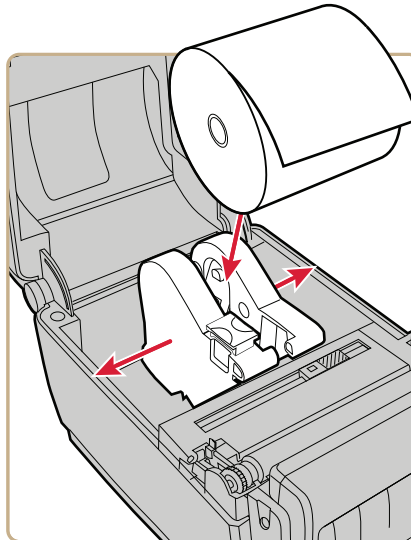
If you are using large rolls of media stored outside the printer, such as in an external media holder, feed the media through the external media feed slot.

To adjust the media holders for a different media size:

- a** Pull the locking tab up.

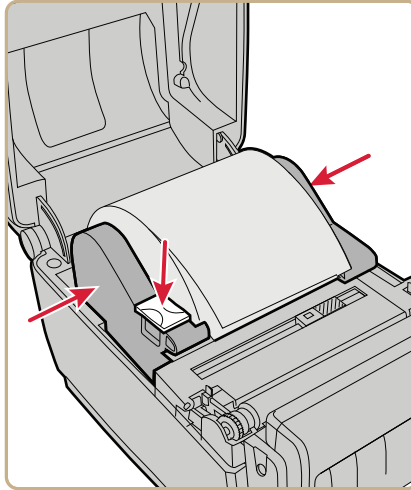


- b** Slide the media holders to adjust the distance between them, and place the media roll between the holders.

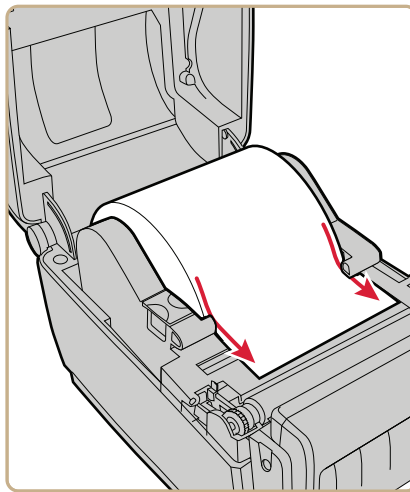


Chapter 2 – Set Up the Printer

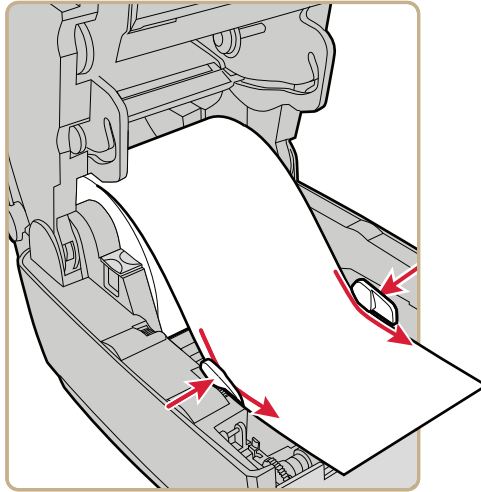
- c Make sure the media holders are snug against the sides of the media roll, and press the tab down to lock the holders in place.



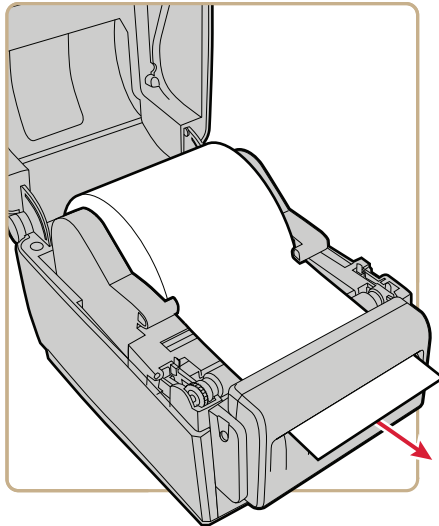
- 4 For the PC43d, thread the media under the tip guides on the media holders.



For the PC43t, thread the media through the media guides. To adjust the width of the media guides, slide the guides as needed to fit your media.







- 5** Thread the media into the slot in the cutter accessory and out through the front of the cutter.



- 6** Close the printer lid until it snaps shut.
- 7** Turn the printer on.



Note: If you are using an icon printer, you must use Intermec PrintSet to configure the cutter. For LCD printers, continue with the next step.

- 8 After the printer finishes starting up, press .
- 9 Select **Settings > Printing > Cutter** .
- 10 In the Cutter Control options, select **Automatic**.
- 11 Press  or . A “Save Changes?” message appears.
- 12 Press  to save your changes and exit the Settings menu.
- 13 Adjust the media feed as required. Intermec recommends the following values for cut-off printing:

Recommended Feed Adjust Values for PC43d

Setting	203 dpi	300 dpi	Distance
Start Adjust	-294	-434	-36.80 mm (-1.45 in)
Stop Adjust	170	251	21.3 mm (0.84 in)

Recommended Feed Adjust Values for PC43t

Setting	203 dpi	300 dpi	Distance
Start Adjust	-372	-550	-46.60 mm (-1.45 in)
Stop Adjust	264	389	33 mm (0.84 in)

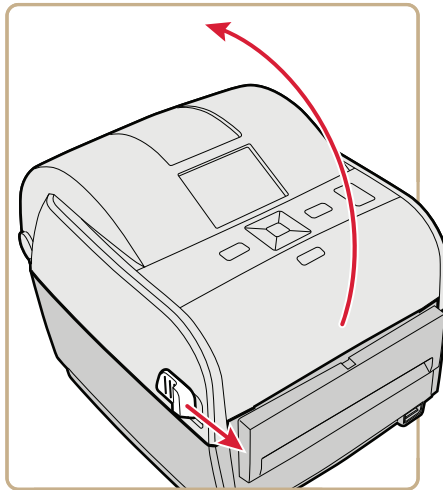


Note: You may need to adjust the recommended values slightly depending on your media type, supply method, and roll sizes, or because of individual differences between printers.

Load Media for the Label Dispenser

To use the label dispenser accessory for printing, you print labels on self-adhesive label stock with a liner. As each label is printed, the label is automatically peeled from the liner and is presented at the front of the printer for manual removal.

- 1 Pull one or both of the printer latches toward the front of the printer and lift the printer lid.

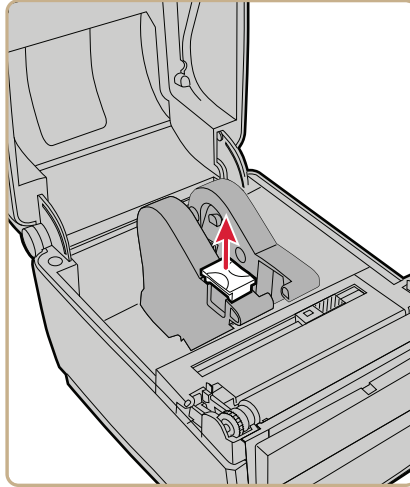


- 2 If there is an empty media core in the media compartment, remove the core.
- 3 If you are going to load the same size media, continue with the next step.

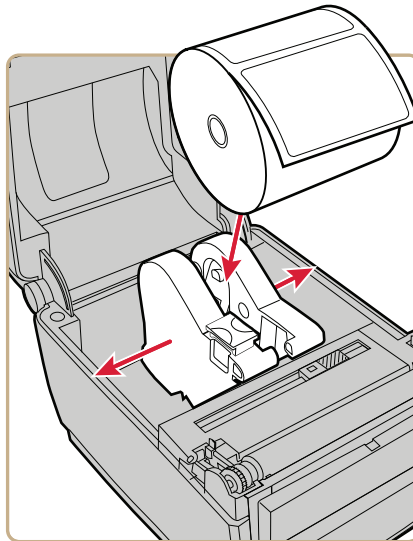
If you are using large rolls of media stored outside the printer, such as in an external media holder, feed the media through the external media feed slot.

To adjust the media holders for a different media size:

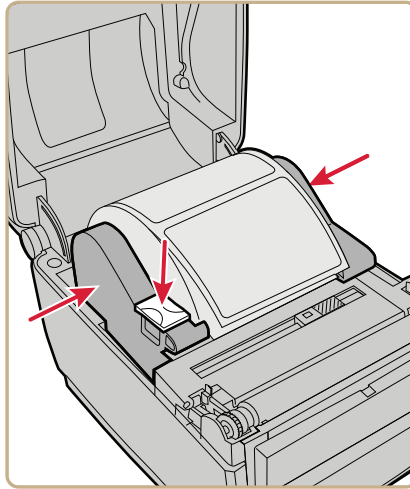
- a** Pull the locking tab up.



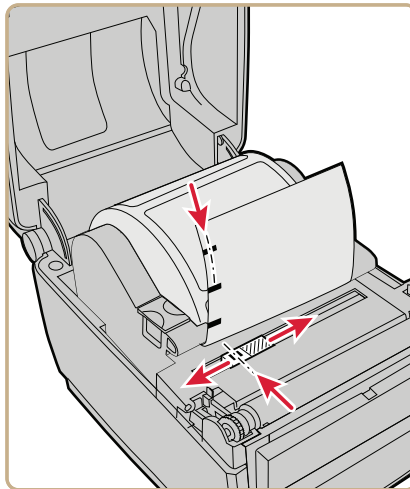
- b** Slide the media holders to adjust the distance between them, and place the media roll between the holders.



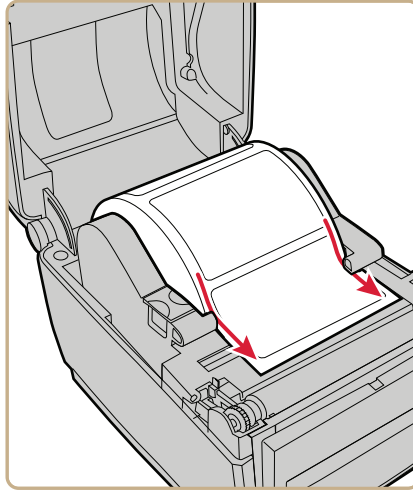
- c Make sure the holders are snug against the sides of the media roll, and press the tab down to lock the holders in place.



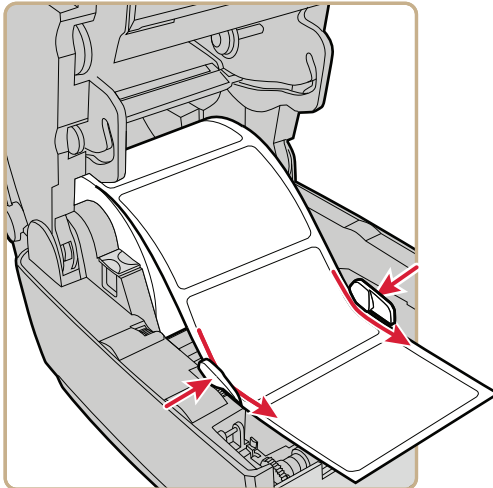
- 4 If you are using notched or black mark stock, slide the gap sensor so the notches or marks pass over the sensor.



- 5** For the PC43d, thread the media under the tip guides on the holders.

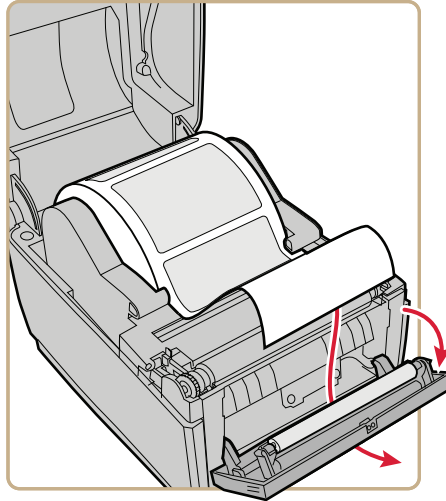


For the PC43t, thread the media through the media guides. To adjust the width of the media guides, slide the guides as needed to fit your media.



- 6** Open the label dispenser front door.
- 7** Remove the label closest to the end of the liner.

- 8** Route the liner through the slot in the front door of the label dispenser. Do not pull on the media to take up the slack. The liner should be over the roller in the printer and under the roller in the front door of the label dispenser.



- 9** Close the front door.
- 10** Close the printer lid until it snaps shut.
- 11** Turn the printer on adjust the media feed as required. Intermec recommends the following feed adjust values for the label dispenser:

Recommended Feed Adjust Values for PC23d

Setting	203 dpi	300 dpi	Distance
Start Adjust	-117	-173	-14.70 mm (-0.58 in)
Stop Adjust	3	5	-0.46 mm (0.02 in)

Recommended Feed Adjust Values for PC43d

Setting	203 dpi	300 dpi	Distance
Start Adjust	-126	-186	-15.8 mm (-0.62 in)
Stop Adjust	2	3	0.3 mm (0.01 in)

Recommended Feed Adjust Values for PC43t

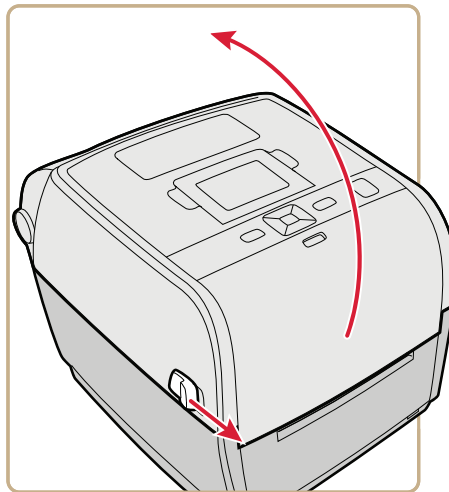
Setting	203 dpi	300 dpi	Distance
Start Adjust	-125	-185	-15.7 mm (-0.62 in)
Stop Adjust	16	24	2.1 mm (0.08 in)



Note: You may need to adjust the recommended values slightly depending on your media type, supply method, and roll sizes, or because of individual differences between printers.

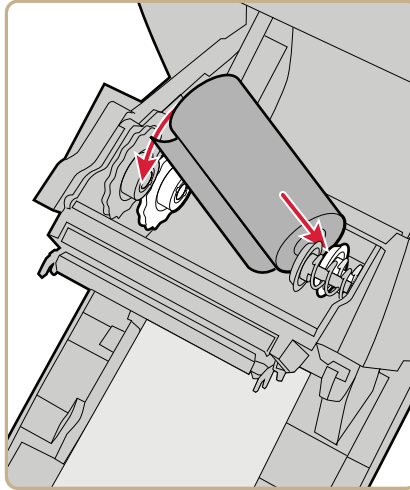
Load Ribbon

- 1 Press the printer latches toward the front of the printer and open the printer lid.

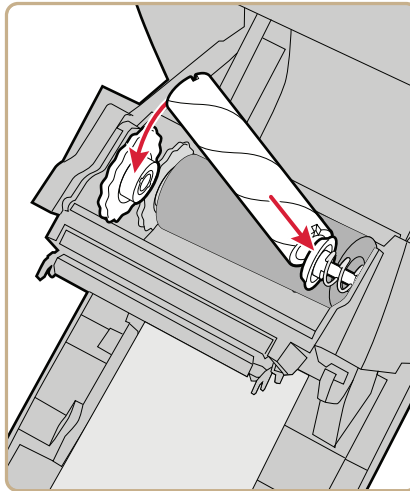


- 2 If there is an empty ribbon core in the media compartment, remove the core and set it aside.
- 3 Remove and discard the full ribbon takeup core.

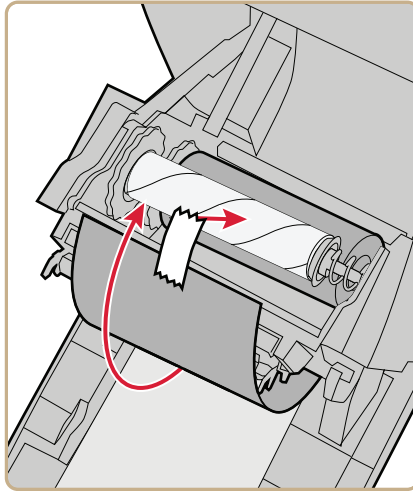
- 4 Place the new ribbon roll between the rear ribbon holders. The ribbon should come off the roll as shown in the illustration.



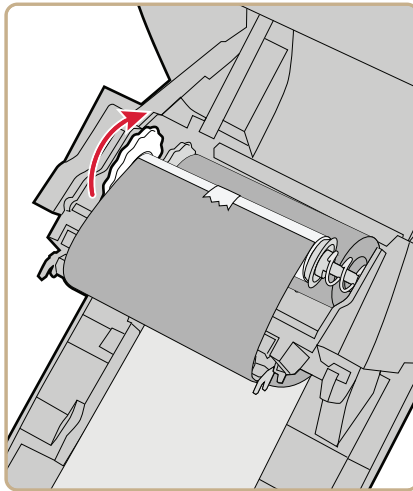
- 5 Place the takeup core between the front takeup core holders.



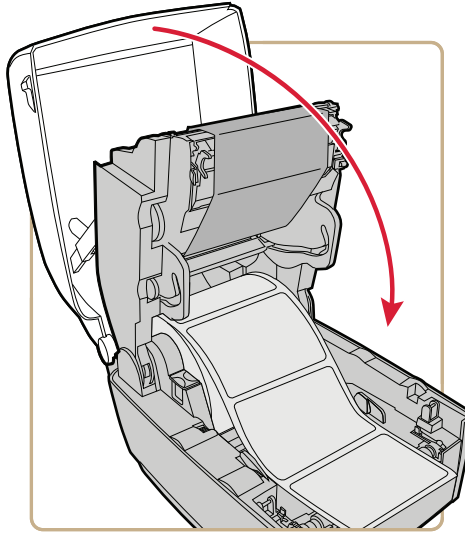
- 6** Attach the end of the ribbon to the takeup core.



- 7** Turn the slack-wheel to take up slack in the ribbon.



- 8** Close the printer lid until it snaps shut.



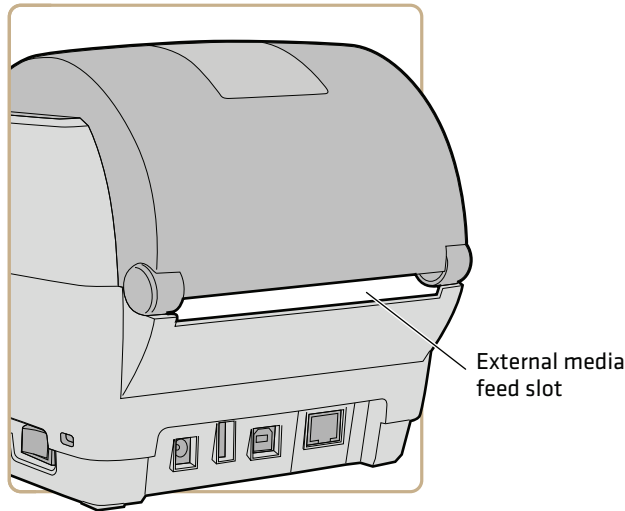
- 9** If you have already configured the printer for thermal transfer printing, continue with the next step. Otherwise, from the printer Main Menu, select **Settings > Printing > Media > Print Method > Ribbon (TTR)**.

For an icon printer, you must use the printer web page or Intermec PrintSet to configure thermal transfer printing.

- 10** Save your changes.

Use External Media

To use large rolls of media or tag stock, place the media behind the printer, and feed the media into the printer through the external media feed slot.



Be sure you thread the media through the media holders or media guides as you would for media installed inside the printer.

Connect the Printer to Power



Caution: Use only the AC power adapter supplied with the printer. The use of a power adapter not approved by Intermec voids the product warranty and may damage the printer.








- 1 Connect the power adapter to the power port on the rear of the printer.
- 2 Connect the power adapter to AC power. When the adapter is connected to AC power, the green LED in the adapter connector turns on and stays on.

- 3 Press the power switch to turn the printer on. As the printer starts up:
 - a progress bar appears on the LCD printer screen. When the printer has finished starting up, the Ready screen appears, and the blue Ready-to-Work™ indicator turns on and stays on.
 - the icons turn on and then turn off one at a time on the icon panel. When the printer has finished starting up, the blue Ready-to-Work indicator turns on and stays on.

If a condition occurs that will prevent printing, the Ready-to-Work light blinks.

Use the Setup Wizard

This section explains how to use the Setup Wizard to configure the LCD printer. You must configure the printer this way after turning it on for the first time, after upgrading the firmware, or after resetting all defaults.

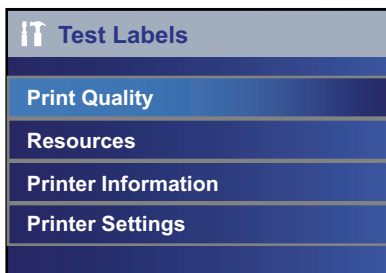
- 1 Connect the printer to power and press the Power switch. When the printer is ready, the Setup Wizard starts.
- 2 Select the settings you want from the menus in the Setup Wizard.
 - Use  or  to select different items in a list.
 - If the item you selected requires you to select an option from a preset list, press  or  to scroll through the list items.
 - Press  to select a highlighted item.
 - Select  and press  to continue to the next screen.




Print Print Quality Labels from the Main Menu

You can print a wide variety of quality test labels to verify print and media settings and print quality.

- 1 In the Ready screen, press . The Main Menu appears.
- 2 Press  to select **Tools** and then press . The Tools menu appears with **Test Labels** selected.

- 3 Press . The Test Labels menu appears.



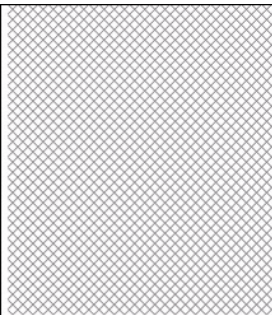


- 4 Press  to select a type of test label and then press . A list of available labels appears.
- 5 Press . The test label prints.

Print Quality Labels

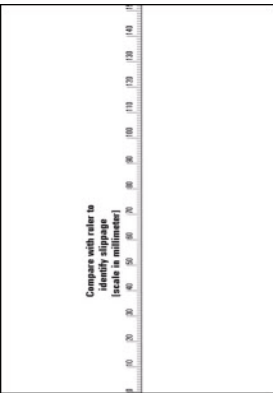

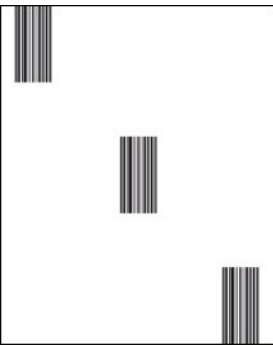
Print Quality Labels

Label	Description
Chess	

Print Quality Labels (continued)





Label	Description
Diamond	 A rectangular label with a dense, repeating diamond-shaped grid pattern. At the bottom, there is a white area containing technical specifications. <p>Mean Printhead Resistance: 900 Ohm Width: 694 dots Print Speed: 100 inches Part Number: Serial Number:</p>
Pitch	 A rectangular label with a solid, uniform gray color. At the bottom, there is a white area containing technical specifications. <p>Mean Printhead Resistance: 900 Ohm Width: 694 dots Print Speed: 100 inches Part Number: Serial Number:</p>
Pyramid	 A rectangular label with a black background and a white pyramid shape in the center. At the bottom, there is a white area containing technical specifications. <p>Mean Printhead Resistance: 900 Ohm Width: 694 dots Print Speed: 100 inches Part Number: Serial Number:</p>

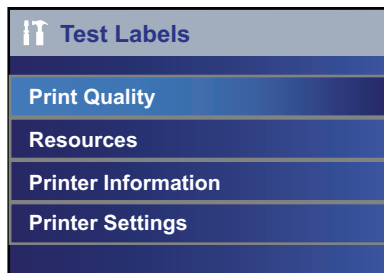
Print Quality Labels (continued)




Label	Description
Ruler	
Bar Code(Barcode)	
Wrinkle	

Print Configuration Labels from the Main Menu

For quick reference, you can print configuration information, including lists of the fonts, images, and applications installed on the printer.

- 1 In the Ready screen, press . The Main Menu appears.
- 2 Press  to select **Tools** and then press . The Tools menu appears with **Test Labels** selected.
- 3 Press . The Test Labels menu appears.



- 4 Press  to select a Printer Information or Printer Settings and then press . A list of available labels appears.
- 5 Press . The configuration label prints.

Configuration Labels

This section describes configuration label information. A typical configuration label looks like this:

Resident Fonts	
Andale Mono	123456789
Andale Mono Bold	123456789
CG Times	123456789
CG Times Bold	123456789
Century Schoolbook Roman	123456789
IPLFONT0	123456789
IPLFONT1	123456789
IPLFONT2	123456789
IPLFONT7	123456789
Letter Gothic	123456789
OCR A	123456789
OCR B	123456789
Univers	123456789
Univers Bold	123456789
Univers Condensed Bold	123456789
Univers Extra Condensed	123456789
Downloaded Fonts	
None	

Sample Configuration Label for Fonts

Resource Labels

Label	Description
Applications	All Intermec utility programs and user-installed applications.
Fonts	Resident and user-installed fonts.
Bar Codes(Barcodes)	Resident bar codes (partial label shown).
Images	All images, including resident and user-installed files.

Printer Information Labels

Label	Description
Installed Hardware	List of hardware modules in the printer, including: <ul style="list-style-type: none"> · Main logic board configuration number · Wireless 802.11 MAC address · Ethernet · Serial Port · USB Device · USB Host · Bluetooth · Thermal Printhead · Front Panel · Ribbon · Power Supply Unit
Print Statistics	Number of labels printed, current odometer value, and total distance printed.
System Information	General product information, including: <ul style="list-style-type: none"> · Firmware version · Product name, configuration number, serial number, system name, and command language · Printhead resolution · Mean printhead resistance · Total flash memory and available flash memory · Total RAM and free RAM

Printer Settings Labels

Label	Description
Media and Printing	Current settings for media handling, including: <ul style="list-style-type: none"> · Media width, length, and X-margin · Selected media type · Printing method (TTR or DT) and speed · Start Adjust and Stop Adjust values

Printer Settings Labels (continued)

Label	Description
Ethernet Settings	<ul style="list-style-type: none">• MAC Address• Primary and secondary DNS servers• IPv4 settings: IP assignment method, IP address, subnet mask, default router, DHCP response type• IPv6 settings: IP assignment method, IP address
Serial Port Settings	<ul style="list-style-type: none">• Baud rate• Data bits• Parity• Stop bits• Flow control: Hardware, ENQ/ACK, XON/XOFF To, XON/XOFF From• New Line character
Bluetooth Settings	<ul style="list-style-type: none">• Bluetooth MAC address (human-readable and bar code formats)• Security status• Device name and discovery state• Passkey• Reserve• ScanNGo bar code
Wi-Fi General	<ul style="list-style-type: none">• IP address and assignment method• Subnet mask• Default router• DHCP Response• IPv6 address and assignment method• 802.11 MAC address• Network name (SSID) and type• Roaming state• Power mode• Channel• Hidden SSID state• Country string• Access point MAC address• RSSI

Printer Settings Labels (continued)

Label	Description
Wi-Fi Security	<ul style="list-style-type: none"> · Security Type · Association · PreShared Key · Network Key Index · Network Key 1, 2, 3, 4 · User Name · Password · Anonymous Name · Inner Authentication · CA Certificate · Client Certificate · Client Key · Server Common Name 1 and 2 · Validate Certificate · PAC · Acquire PAC · Fast Roaming (CCKM) · Mixed Mode (Group = TKIP) · Supplicant State

Media Settings

This section describes media settings for the printer. To view these settings:

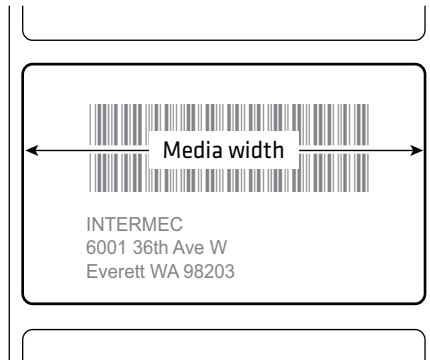
- From the printer Main Menu, select **Settings > Printing > Media**.
- From the printer web page, click the **Configure** tab > **Printing > Media**.



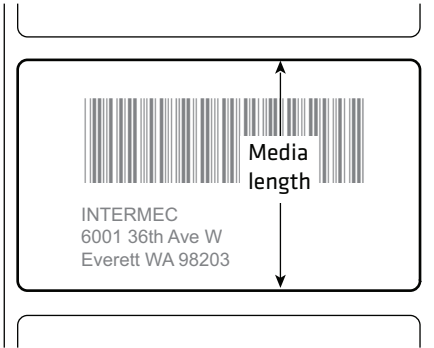
Note: If you are using an icon printer that is not on a network, you need to use PrintSet through a USB connection to configure media settings.

Chapter 2 – Set Up the Printer

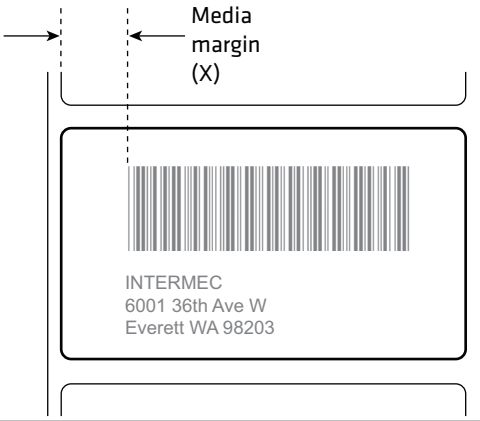
Setting	Description	Default
Media Type	Selects the type of media that is loaded in the printer.	Media With Gaps
Print Method	Selects the method of printing that the printer is using.	Ribbon (TTR) for thermal transfer printers, or No Ribbon (DT) for direct thermal printers
Media Width	Sets the width of the printable area measured from the media margin (X) across the printhead. Unit of measurement is defined in the Unit of Measure parameter.	Variable



Setting	Description	Default
Media Length	Sets the length of the printable area measured from one edge of the label to the edge that is closest to the printhead. Unit of measurement is defined in the Unit of Measurement parameter.	Variable



Media Margin (X)	Sets the width of the margin from the left edge of the label along the printhead to the edge of the printable area. Unit of measurement is defined in the Unit of Measurement parameter.	Variable
------------------	--	----------



Setting	Description	Default
Clip Default	Determines if the printer prints items outside the printable area of the label. When this is set to Off, the printer returns an error if any part of a bar code label cannot be printed because that part extends beyond the printable area. When this is set to On, the printer prints all bar code labels, but may also print unreadable, incomplete labels.	Off
Start Adjust	Sets the length of media the printer feeds (positive value) or retracts (negative value) before printing a label. Unit of measurement is defined in the Unit of Measure parameter. Range is -9999 to +9999.	0
Stop Adjust	Sets the length of media the printer feeds (positive value) or retracts (negative value) after printing a label. Unit of measurement is defined in the Unit of Measure parameter. Range is -9999 to +9999.	0
Media Calibration Mode	Selects the mode the printer uses to calibrate media. Use Slow if the printer has trouble identifying gaps or marks in media.	Fast
Length (Slow Mode)	If Media Calibration Mode is set to Slow, the printer prints the media length plus 10 mm. This value sets an additional amount of media to be printed. Unit of measurement is defined in the Unit of Measurement parameter. Range is 0 to 3200.	0
LTS Sensitivity Level	Sets the sensitivity of the label taken sensor. Range is 0 to 14. Supported when the Cutter or Label Dispenser accessories are installed.	0

3

Connect the Printer

This chapter explains how to connect the PC23 and PC43 printers to a PC and to an Ethernet or wireless network.

About Printer Drivers

Before you can use the printer with a Windows PC, you need to install printer driver software on the PC. Drivers enable the printer to communicate with your PC and with software applications such as Intermecc PrintSet.



Note: Although Windows may auto-detect the printer when you connect it to a PC through a USB port, you must still install printer drivers on the PC for correct printer operation.

Install Printer Drivers

Use InterDriver to install printer driver software on your PC. InterDriver is included on the PrinterCompanion CD that shipped with your printer. If you have not yet installed drivers on your PC, run the PrinterCompanion CD and follow the instructions to connect your printer and install the drivers.

If you do not have access to the PrinterCompanion CD but you still need to install driver software, follow this procedure to download InterDriver from the Intermecc website and install the drivers.

- 1** Open a web browser and go to www.intermecc.com.
- 2** Select **Support > Downloads**.
- 3** Select these items:
 - a** In the Product Category list, select **Printers**.
 - b** In the Product Family list, select **Printer Software**.
 - c** In the Product list, select **InterDriver** and then click **Submit**.
- 4** In the InterDriver downloads page, click **InterDriver - Windows ver. X.XX**. If a Security Warning dialog box appears, click **Run**.
- 5** Select **I accept the terms in the license agreement** and then click **Next** twice.

- 6 Clear the **Read installation instructions** check box, and then click **Finish**. If a User Account control dialog box appears, click **Yes** to continue. InterDriver extracts the installation files to C:\Intermec\InterDriver7\ on your PC and starts InterDriver Wizard.
- 7 Make sure that **Install printer drivers** is selected, and then click **Next**.
- 8 Make sure that **Install a driver for a Plug and Play printer** is selected.
- 9 Select your printer model from the list, and then click **Next**. Be sure you select the correct printhead size (203 or 300 dpi).
- 10 (Optional) Type a new **Printer Name** to change the default printer name. You can also select **Use this printer as the default printer** to have Windows automatically select this printer when you print documents from your desktop PC. To share this printer with other users, select **Share name** and type a name for the printer. when you are finished, click **Next**.
- 11 Click **Finish** to install the printer drivers, and then click **Close** to exit InterDriver Wizard.

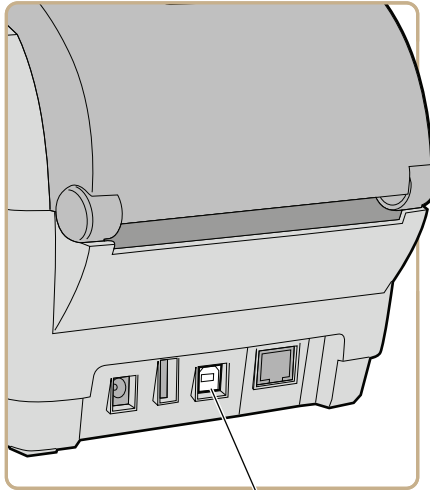
Connect the Printer with USB

The printer supports USB connections to a desktop PC.



Note: You must install InterDriver to use a USB connection to a Windows PC. For more information, see the PrinterCompanion CD that came with your printer.

- Connect a USB cable from the USB device port on the printer to a USB port on the desktop PC. A “USB Host Connected” message appears on the printer screen.



USB device port

USB Device Port Location

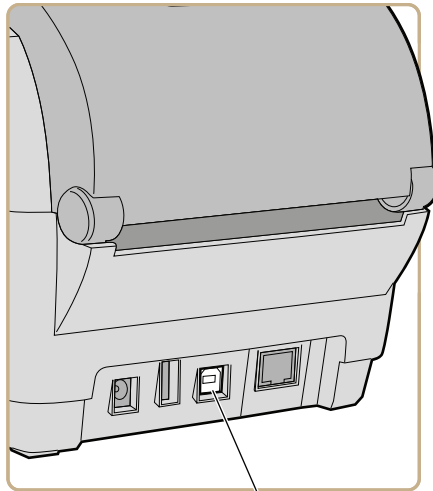
Connect the Printer Using a Serial or Parallel Cable

If you have the optional USB-to-Serial adapter or USB-to-Parallel adapter for the printer, you can connect the printer to the serial or parallel port on a PC.



Note: You must configure all printer settings through the printer Main Menu, the printer web page, or with PrintSet and a USB connection before you use a parallel connection to the printer.

- 1 Connect the adapter cable to the USB device port on the printer.



USB device port

- 2 For a USB-to-Serial adapter, connect the adapter cable to the serial port on your PC. Continue with the next step.

For a USB-to-Parallel adapter, connect the adapter cable to the parallel port on your PC. The printer is ready to communicate with your PC.

- 3 If you are using an LCD printer, from the printer Main Menu select **Settings** > **Communications** > **Serial** and change settings as necessary.

If you are using an icon printer, you need to configure settings through an application such as Intermec PrintSet.

Serial Port Settings

This section describes the serial port settings. To view these settings:

- From the printer Main Menu, select **Settings** > **Communications** > **Serial** > **COM1**.
- From the printer web page, click the **Configure** tab > **Communications** > **Serial**.



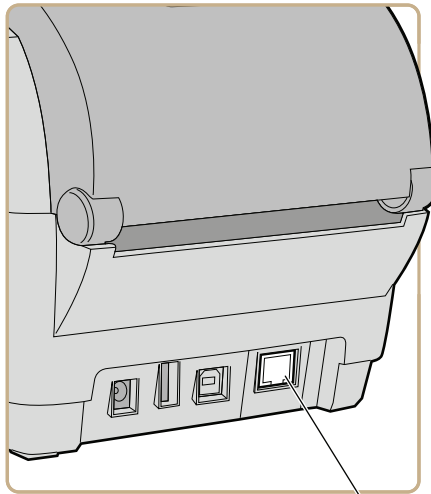
Note: These settings are not accessible unless the printer has a serial connection to a PC.

Setting	Description	Default
Baud Rate	Transmission speed in bits per second (bps) for the serial port.	115200
Data Bits	Number of bits that define a character or byte.	8
Parity	Specifies how the printer checks the integrity of the transmitted data.	None
Stop Bits	Number of bits sent at the end of every character to allow the receiving signal hardware to detect the end of a character and to resynchronize with the character stream.	1
Hardware	Specifies if hardware flow control (RTS/CTS) is used to manage the rate of data transmission between the device and the host.	Disable
ENQ/ACK	Specifies if software flow control (ENQ/ACK) is used to manage the rate of data transmission between the device and the host.	Disable
XON/XOFF To	Specifies if software flow control (XON/XOFF) is used to manage the rate of data transmission to the host.	Disable
XON/XOFF From	Specifies if software flow control (XON/XOFF) is used to manage the rate of data transmission from the host.	Disable
New Line Character	Defines the characters that the printer echoes to the host to indicate that it has moved to a new line.	CR/LF

Connect the Printer to an Ethernet Network

After you install the optional Ethernet module in the printer, you can connect it to your wired network. For information on installing this accessory, see the *PC23d, PC43d, and PC43t Ethernet Module Installation Instructions*.

- 1 Connect an Ethernet cable to the Ethernet port on the rear of the printer and to your network.



Ethernet port

If your network uses a DHCP server to assign IP addresses, the IP address appears in the lower left corner of the screen after the printer connects to the network.

- For an icon printer, connect to the printer using PrintSet and print a configuration label. The label includes the IP address.

If you are not using a DHCP server to automatically assign IP addresses to devices in your network, you must set a static IP address and other network information manually. Continue with the next step.

- 2 For a non-DHCP network (using a static IP address):
 - For an LCD printer, from the Main Menu select **Settings > Communications > Ethernet** and change the settings as needed.
 - For an icon printer, configure the Ethernet settings through PrintSet.

Ethernet Settings

This section describes the Ethernet IPv4 and IPv6 settings. To view these settings:

- From the printer Main Menu, select **Settings > Communications > Ethernet**.
- From the printer web page, click the **Configure** tab > **Communications > Ethernet**.

Setting	Description	Default
(IPv4) IP Assignment Method	Specifies how the printer obtains an IP address.	DHCP
(IPv4) IP Address	Specifies the unique network-level address that is assigned to each device in a TCP/IP network (IPv4).	0.0.0.0
Subnet Mask	Specifies a number that defines the range of IP addresses that can be used in a TCP/IP network.	0.0.0.0
Default Router	Specifies the IP address of a router that is used when a device sends a packet to another subnet or to an unknown destination.	0.0.0.0
DHCP Response	Specifies if the printer receives DHCP responses by broadcast or unicast.	Broadcast
(IPv6) IP Assignment Method	Specifies how the printer obtains an IP address (for IPv6 networks).	Automatic
(IPv6) IP Address	Specifies the unique network-level address that is assigned to each device in a TCP/IP network (IPv6).	Automatic

About Wi-Fi Communications

The printer supports Wi-Fi communications when the optional Wi-Fi/Bluetooth module is installed.

You can configure Wi-Fi communications:

- from the printer web page. You need to know the printer IP address.
- from the printer Main Menu if your printer has a graphical interface.

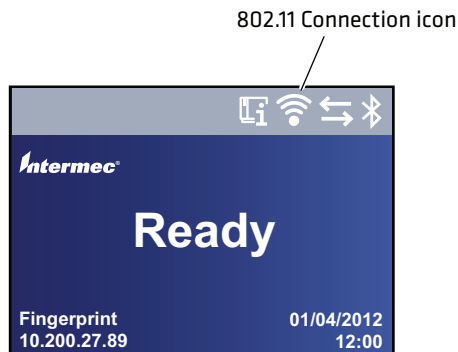
By default, the printer supports DHCP networks. If you are not using a DHCP network and you do not know the printer IP address, you need to configure Wi-Fi settings by using Intermec PrintSet through a USB connection to the printer, or by sending commands through a serial connection.

Connect the Printer to a Wireless Network

Before you begin, you should be familiar with the settings you need for your network.

If you are using a DHCP network, turn the printer on. The printer automatically connects to the wireless network.

For a printer with the LCD interface, the Wi-Fi Connection icon shows the status of the connection.



Chapter 3 – Connect the Printer


For a printer with the icon interface, the Wi-Fi icon turns on to show that Wi-Fi is enabled.

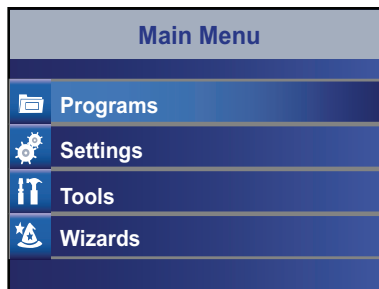


If you are not using a DHCP network, follow the next procedure to manually assign network settings (such as the printer IP address) to a printer with the LCD interface.

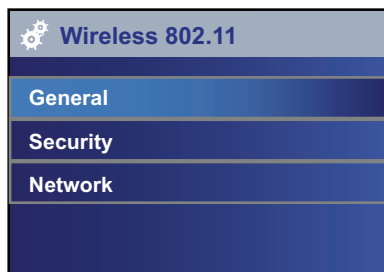


Note: If you are using an icon printer and you do not know the printer IP address, you need to use Intermec PrintSet with a USB connection to a PC to configure wireless network settings for a non-DHCP network.

- 1 From the printer Ready screen, press . The Main Menu appears.



- 2 Select **Settings** > **Communications** > **Wireless 802.11**.



3 Select **General** to configure these wireless network settings:

- Network Name (SSID)
- Network Type
- Roaming
- Power Mode
- Channel (for Ad Hoc mode only)
- Hidden SSID

Select **Network** to configure these settings:

- IP Assignment Method (for IPv4 or IPv6 networks)
- IP address
- Subnet mask and default router

Select **Security** to configure all wireless network security settings.

4 Change settings as needed for your network.

5 When you are finished, save your changes. The printer immediately attempts to connect to your network.

Configure Wi-Fi Communications From the Printer Web Page

This section explains how to configure Wi-Fi communications from the printer web page.



Note: If you are not using a DHCP network and you do not know the printer IP address, you must configure Wi-Fi settings using Intermec PrintSet with a USB connection, or by sending commands through a serial connection.



Note: To configure the printer from the web page, the printer must be turned on and connected to your Wi-Fi or Ethernet network.

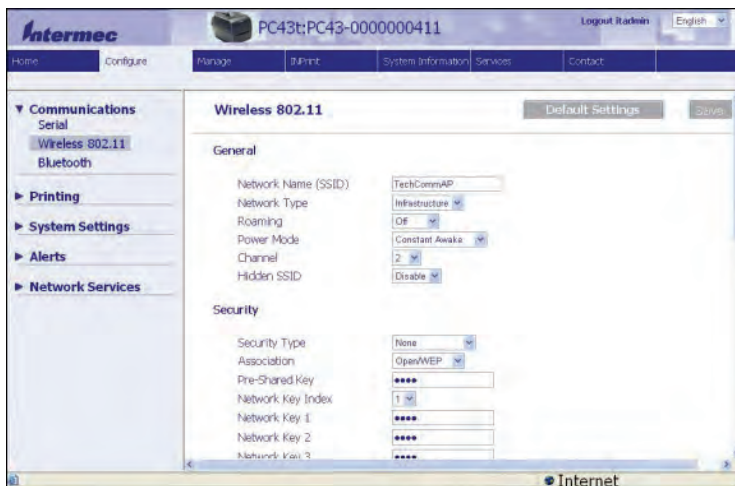
1 In the Ready screen, note the printer IP address.

For an icon printer, you need to obtain the printer IP address.

2 On your desktop PC, start a browser.

3 Type the printer IP address in the **Location** or **Address** bar and press **Enter**. The printer web page appears.

- 4 Press **Enter**.
- 5 Click **Login** in the upper right corner of the screen. The Login page appears.
- 6 Type your **Username** and **Password**, and then click **Login**. The default username is `itadmin` and the default password is `pass`.
- 7 Click the **Configure** tab. The Configuration Summary page appears.
- 8 Click **Communications** > **Wireless 802.11**. The Wireless 802.11 page appears.



- 9 Change settings as needed, or click **Default Settings** to restore all default Wireless 802.11 settings.
- 10 Click **Save** when you are done.

Wireless 802.11 General Settings

This section describes the 802.11 general settings. To view these settings:

- From the printer Main Menu, select **Settings** > **Communications** > **Wireless 802.11** > **General**.
- From the printer web page, click the **Configure** tab > **Communications** > **Wireless 802.11**.

Setting	Description	Default
Network Name (SSID)	Defines the wireless network. To communicate, all access points and wireless devices must have the same network name, which is case-sensitive.	INTERMEC
Network Type	Selects the radio behavior of the printer. Ad Hoc mode allows the printer to communicate directly with another printer. Infrastructure mode allows the printer to communicate through an access point.	Infrastructure
Roaming	Controls the roaming inclination of the printer. The higher the level, the less inclined the printer is to switch access points based on the printer received signal strength (RSSI).	Off
Power Mode	Select the power management setting for the radio. Constant Awake provides the highest throughput but draws the most power. Power Saving conserves the most power but provides the lowest throughput. Fast Power Saving turns off components when they are not being used to draw less current.	Constant Awake
Channel	Sets the common channel that radios in Ad Hoc mode use to transfer data. Range is 1 to 14.	1
Hidden SSID	Determines if the radio is allowed to look for SSIDs that have been hidden to prevent unauthorized devices from connecting to the wireless network.	Disable

Wireless 802.11 Network Settings

This section describes the 802.11 IPv4 and IPv6 settings. To view these settings:

- From the printer Main Menu, select **Settings** > **Communications** > **Wireless 802.11** > **Network** > **IPv4** or **IPv6**.
- From the printer web page, click the **Configure** tab > **Communications** > **Wireless 802.11**.

Setting	Description	Default
(IPv4) IP Assignment Method	Sets how the printer obtains an IP address (for IPv4 networks).	DHCP
(IPv4) IP Address	Sets the unique network-level address that is assigned to each device in an IPv4 network.	0.0.0.0
Subnet Mask	Sets a number that defines the range of IP addresses that can be used in an IPv4 network.	0.0.0.0
Default Router	Sets the IP address of a router that is used when a device sends a packet to another subnet or to an unknown destination.	0.0.0.0
DHCP Response	Sets if the printer receives DHCP responses by broadcast or unicast.	Broadcast
(IPv6) IP Assignment Method	Sets how the printer obtains an IP address (for IPv6 networks).	Automatic
(IPv6) IP Address	Sets the unique network-level address that is assigned to each device in an IPv6 network.	Automatic

Wireless 802.11 Security Settings

This section describes the 802.11 security settings. To view these settings:

- From the printer Main Menu, select **Settings > Communications > Wireless 802.11 > Security**.
- From the printer web page, click the **Configure** tab > **Communications > Wireless 802.11**.

Setting	Description	Default
Security Type	Selects the protocol the radio uses to verify its identity and makes sure that it is authorized to communicate on the wireless network.	None
Association	Selects the security method that the radio uses to get access to the wireless network.	Open/WEP
Pre-Shared Key	Defines the passphrase that allows the radio to authenticate over the wireless network (for both WPA and WPA2 security). Range is 8 to 64 characters.	None
Network Key Index	Selects the active network key to use for WEP security. Range is 1 to 4.	1
Network Key 1, Network Key 2, Network Key 3, Network Key 4	Defines a network key that is used for WEP security. Keys are entered in ASCII or hexadecimal (preceded by 0x) format.	Empty string
User Name	Sets the name that the printer uses when logging in to the network. Range is 1 to 96 characters.	None
Password	Sets the password that the printer uses when logging in to the network. Range is 1 to 96 characters.	None
Anonymous Name	Sets the outer EAP user name that the printer uses for logging in to the network. Maximum length is 96 characters.	Empty string
Inner Authentication	Selects the authentication method that is used when the EAP type is EAP-FAST, PEAP, or TTLS.	MSCHAPv2
CA Certificate	Sets the name of the Certificate Authority (CA) that verifies the server certificate. This CA should be the same one that was used to sign the server certificate.	intermec.pem
Client Certificate	Sets the name of the client certificate the printer uses to authenticate to the network using EAP-TLS. Maximum length is 128 characters.	None
Client Key	Sets the private key the printer uses for EAP-TLS. Maximum length is 128 characters. Use the certinstall.sh script to install the certificate correctly.	None

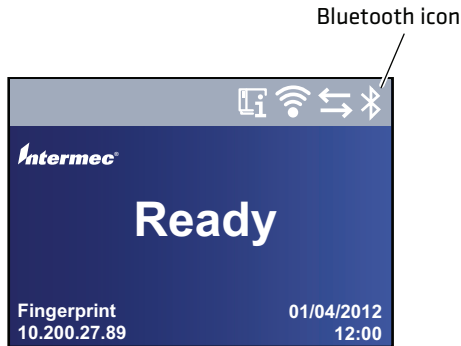
Setting	Description	Default
Server Common Name 1	Sets the certificate name that is on the primary authentication server. If this value is none, then the value for Server Common Name 2 is used. Range is 1 to 96 characters.	None
Server Common Name 2	Sets the certificate name that is on the secondary authentication server. If this value is none, then the value for Server Common Name 1 is used. Range is 1 to 96 characters.	None
Validate Certificate	Determines if the identity of the authentication server is verified using its certificate when using EAP-TTLS, PEAP, or EAP-TLS. Intermec recommends that you set Validate Certificate to Yes .	No
PAC	Sets the name of the Protected Access Credential (PAC) that is used for EAP-FAST authentication. The printer uses this file if Acquire PAC is on and the current installed PAC fails to authenticate the printer to the network.	eap-fast.pac
Acquire PAC	Determines if automatic PAC file provisioning is on for EAP-FAST authentication.	On
Fast Roaming (CCKM)	Determines if the printer can roam from one access point to another without reauthenticating with the server. CCKM only works in wireless networks using LEAP.	Disable
Mixed Mode (Group=TKIP)	Determines if the printer can use either TKIP or AES for data encryption, depending on the configuration of the access point.	Disable

About Bluetooth Communications

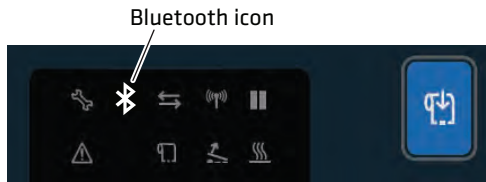
The printer supports Bluetooth communications when the optional Wi-Fi/Bluetooth module is installed. When Bluetooth is enabled, you can connect the printer to other Bluetooth devices, such as bar code scanners and keyboards. You can also make the printer discoverable by Bluetooth-enabled devices such as mobile computers.

When the Wi-Fi/Bluetooth module is installed:

- the Bluetooth icon appears in the status bar on the LCD printer screen.



- the Bluetooth icon turns on in the icon printer interface.



The icon is white when the Bluetooth connection is active, and gray when the connection is inactive or disabled.

You can set up Bluetooth communications:

- from the printer web page.
- from the printer Main Menu.
- using Intermec PrintSet through a USB connection to the printer.

Connect to a Bluetooth Device by Reading a Bar Code


To connect a Bluetooth-enabled bar code scanner to the printer, use the scanner to read the “Scan to Connect” bar code.

- 1** Make sure your printer is ready to print.
- 2** On your desktop PC, start a web browser.
- 3** In the address field, type the printer IP address and then press **Enter**. The printer web page appears.

- 4 Click **Services** and then select **Print Test Labels > Printer Settings**.
- 5 In the Printer Settings screen, locate the Bluetooth Settings label and click **Print**. The printer prints the Bluetooth Settings label.
- 6 Make sure your Bluetooth scanner is turned on and discoverable, and that the device is in range of the printer.
- 7 Use the scanner to read the “Scan to Connect” bar code on the Bluetooth Settings label. The printer attempts to connect to the scanner.

Connect to a Bluetooth Device Using a Wizard

If your printer has the LCD interface, you can also use the Bluetooth wizard to discover and connect to a Bluetooth device, such as a keyboard.

- 1 Make sure your Bluetooth device is turned on and discoverable, and that the device is in range of the printer.
- 2 From the printer Ready screen, press . The Main Menu appears.
- 3 Select **Wizards > Communications > Bluetooth**.
- 4 Follow the instructions to discover and connect to your Bluetooth device.


If you are unable to connect to the Bluetooth device, change the printer Bluetooth settings or move the Bluetooth device closer to the printer.

Connect to the Printer Through Bluetooth

To connect to the printer from a Bluetooth-enabled mobile computer, you may need to configure Bluetooth settings on the printer before you try to discover the printer from the mobile computer.

Configure Bluetooth Communications from the Main Menu

This section explains how to configure Bluetooth settings from the printer Main Menu. You may need to configure these settings if you want to connect to a mobile computer through Bluetooth.

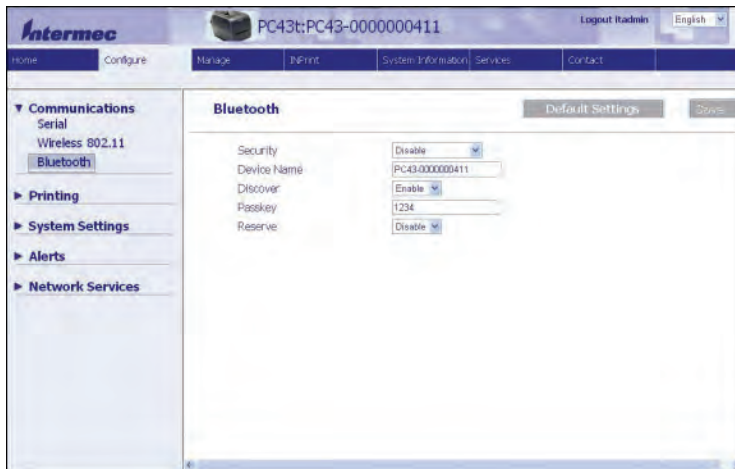
- 1 From the Ready screen, press . The Main Menu appears.
- 2 Select **Settings** > **Communications** > **Bluetooth**.
- 3 Change settings as needed for your Bluetooth device.
- 4 When you are finished, save your changes and restart the printer.

Configure Bluetooth Communications from the Web Page

Use this procedure to configure Bluetooth from the printer web page. The printer must be connected to an Ethernet or wireless network and you must know the printer IP address.

- 1 On your PC, start a browser.
- 2 In the **Location** or **Address** bar, type the printer IP address and press **Enter**. The printer web page appears.
- 3 Click **Login**. The Login page appears.
- 4 Type your **Username** and **Password** and then click **Login**. The default value for Username is `itadmin` and the default value for Password is `pass`.
- 5 Click the **Configure** tab. The Configuration Summary page appears.

- 6 Click **Communications > Bluetooth**. The Bluetooth settings page appears.



- 7 Change Bluetooth settings as needed. You can also click **Default Settings** to restore all default Bluetooth settings.
- 8 Click **Save** when you are finished.

Bluetooth Settings

This section describes Bluetooth settings for the printer. To view these settings:

- From the printer Main Menu, select **Settings > Communications > Bluetooth**.
- From the printer home page, click the **Configure > Communications > Bluetooth**.

Setting	Description	Default
Security	Selects the level of security that is used when pairing devices to the printer. If you select Authentication , you must enter a passkey. If you select Auth + Encrypt , you must enter a passkey and traffic is encrypted.	Disable
Device Name	Sets the name that identifies the printer in the Bluetooth network. Maximum length is 16 characters.	Printer model number and serial number. For example, PC43-0000000411.
Discover	Determines if other Bluetooth devices can detect the printer.	Enable
Passkey	Sets the passkey that is used when pairing Bluetooth devices to the printer. Range is 1 to 16 characters (case-sensitive).	None
Reserve	Determines if the printer is exclusively reserved for one Bluetooth device. The first Bluetooth device that connects with the printer locks out any other connection attempts.	Disable

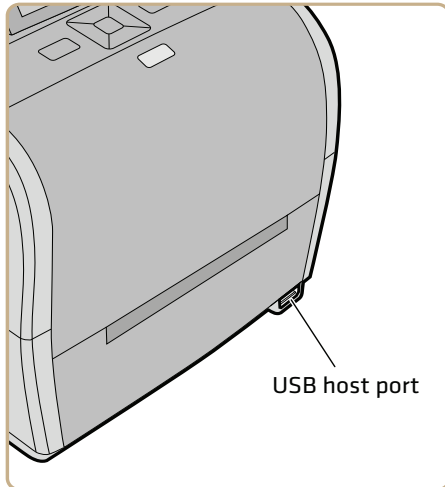
About USB Devices

You can use these USB devices with the printer:

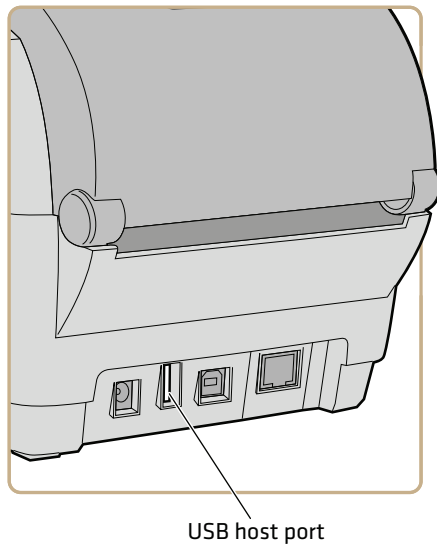
- Use a standard USB keyboard to send Fingerprint printer language commands directly to the printer.
- Use Intermec USB bar code scanners for data input with a Fingerprint application or other custom application. The printer also supports other USB scanners that use a generic keyboard driver.
- Use a USB storage device to load applications, configuration files, fonts, and images into the printer memory, or to perform firmware upgrades. You can also save configuration files to a USB storage device for upload to a printer.

Connect a USB Device

To use a USB device with the printer, connect the device to one of the USB host ports.



USB Host Port Location - Front of Printer



USB Host Port Location - Back of Printer

If you are using a USB storage device, from the printer Main Menu select **Tools > USB Menu** for more options.

4

Configure the Printer

This chapter explains how to view and change printer settings by using the Main Menu or the printer web pages.


About Printer Configuration

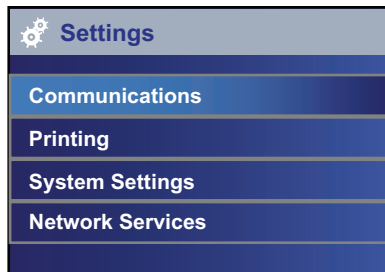
Configuration settings determine how the printer operates. To view and change printer settings, you can:

- use a browser to view the printer web page through your network connection. You need to know the printer IP address for this method.
- use the LCD printer Main Menu.
- use an application such as Intermecc PrintSet to communicate with the printer through a network, serial, or USB connection.

Configure the Printer From the Main Menu

You can view and change settings directly on the printer through the Settings menu.

- 1 In the Main Menu, use ▼ to select Settings and press . The Settings menu appears with **Communications** selected.



Setting Type	Description
Communications	All communications and network settings: <ul style="list-style-type: none">• Serial (appears when using serial connection to PC)• Ethernet (appears when Ethernet module is installed)• Wireless 802.11 (appears when Wi-Fi/Bluetooth module is installed)• Bluetooth (appears when Wi-Fi/Bluetooth module is installed)

Setting Type	Description
Printing	Configuration settings for media (such as media width and length), print quality, and performance.
System Settings	<p>Global system settings including printer name, location, and contact information, display and keyboard input languages, date and time, unit of measure, audio volume, and printer command language.</p> <p>Display settings including brightness, time and date format, menu access permissions, and screen timeout.</p> <p>Enable and disable Wi-Fi, Bluetooth, or virtual COM port communications.</p> <p>Enable and disable services including Intermecc SmartSystems, FTP, Telnet, and others.</p> <p>Set maintenance alert values for the printer odometer and other alerts.</p>
Network Services	Enable or disable network services including Intermecc SmartSystems, the web or email servers, and others.


2 Press **▼** or **▲** to change the selected menu item, and then press **■** to see related items.


For example, press **▼** to select **Printing** and then press **■**. The Printing menu appears.

To return to the previous screen, press **↶**.

3 In any list of items, press **▼** or **▲** to select another item in the list, and then press **■**.

- If the item you selected requires you to select an option from a preset list, press **◀** or **▶** to scroll through the list items.
- If the item you selected requires alphabetic or numeric input, such as Network Name, press **■** and use the onscreen alphanumeric or numeric-only keypad to enter a value.

4 If you changed items in the list, press  to save your changes.

To return to the previous screen, press . If you made changes without saving them, you are prompted to save your changes:

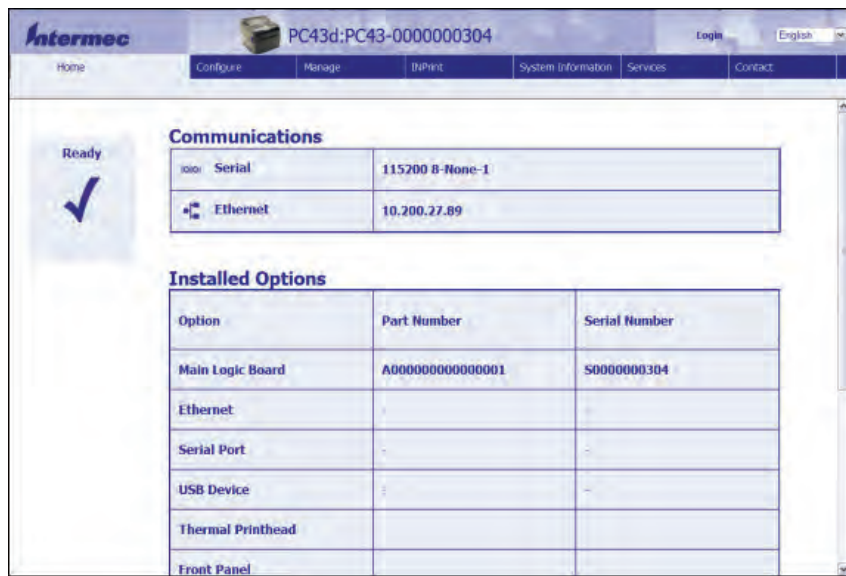
- Select **Yes** to save your changes and return to the previous screen.
- Select **No** to abandon your changes and return to the previous screen.
- Select **Cancel** to abandon your changes and remain on the current screen.

About the Printer Web Page

An easy way to configure most printer settings is by viewing and changing settings in the printer web page. You can view the printer web page in a web browser.



Note: To use the printer web page, the printer must be connected to your Ethernet or Wi-Fi network, and you need to know the printer IP address.



The screenshot shows the Intermec printer web page. At the top, there is a navigation bar with the Intermec logo, a printer icon, the model number 'PC43d:PC43-000000304', a 'Login' button, and a language dropdown set to 'English'. Below the navigation bar are tabs for 'Home', 'Configure', 'Manage', 'IPrint', 'System Information', 'Services', and 'Contact'. The main content area is divided into two sections: 'Communications' and 'Installed Options'. The 'Communications' section shows a 'Ready' status with a checkmark and a table of network settings. The 'Installed Options' section shows a table of hardware options.

Option	Part Number	Serial Number
Main Logic Board	A000000000000001	S0000000304
Ethernet		
Serial Port	-	-
USB Device	-	-
Thermal Printhead		
Front Panel		

Printer Web Page

The Home page includes lists of the current network and media settings, and part numbers and serial numbers for the options installed in your printer.

The Configure page includes a complete list of all the current printer settings. If you have administrator privileges, you can change printer settings as needed.

The Manage page includes lists of the applications, fonts, images, label formats, and web forms in the printer memory. You can upload files to the printer memory.

The INPrint page includes lists of the installed web form labels. The printer includes several different web form label formats. When you select a format, you can enter information in the text fields directly from the INPrint web page, and then print the label.

The System Information screen includes the printer odometer, XML printing log, and detailed statistics.

The Services page includes a list of common maintenance and testing tasks.

The Contact page includes general Intermec contact information.

View the Printer Web Page

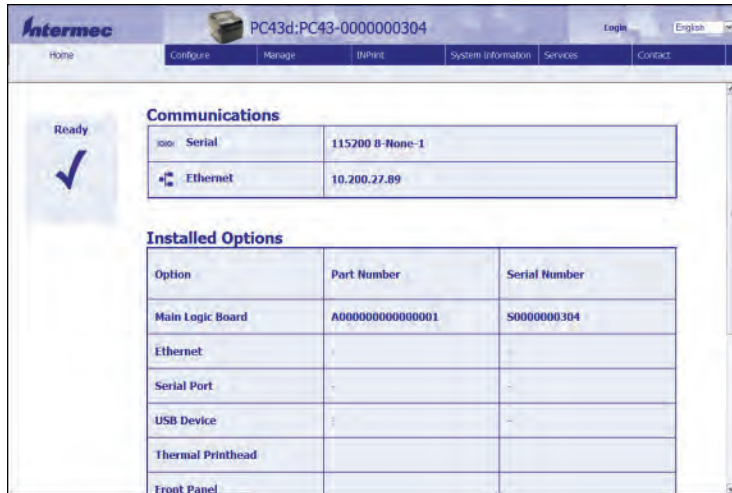
When the printer is connected to your Ethernet or Wi-Fi network, you can view the printer web page in a browser. You can change settings if you have administrator access.



Note: To view the printer web page, the printer must be turned on and connected to your Wi-Fi or Ethernet network.

Chapter 4 – Configure the Printer

- 1 On your PC, open a browser.
- 2 In the **Location** or **Address** bar, type the printer IP address and press **Enter**. The printer web page appears.



View Printer Statistics

If your printer is connected to an Ethernet or Wi-Fi network, you can view printer statistics in the printer web page.

- 1 On your PC, open a browser.
- 2 In the **Location** or **Address** bar, type the printer IP address and press **Enter**. The printer web page appears.
- 3 Click the **System Information** tab.
- 4 Click **Statistics**.
- 5 Click a category to see more information. For example, click **Print Statistics** to see the number of labels printed and odometer values.

Statistic	Description
System information	Printer uptime and CPU usage, firmware and kernel versions, printer configuration and serial numbers, flash and RAM memory information.
Print Statistics	Total labels printed, RFID tag success rate, odometer values, total distance printed (printer and current printhead).
Supply	Printhead, media, and ribbon information.
Hardware Options	Input/output devices, serial port information.
Administration	Failed login tries, user information.
Network Interfaces	MAC address, TCP/IP and 802.11 network information.
Font Information	Name, type, and size of installed fonts.
Bar Code Information	Name and type of installed bar code fonts.
Image Information	Name, type, and size of installed images.

Statistics

This section explains printer statistics.

Type	Name	Description
System Information	Uptime	
	Printer Uptime	
	CPU Usage	
	Firmware Version	Version of currently installed firmware.
	Kernel Version	
	Hardware Version	
	Product Name	Printer model number.
	Printer Config Number	Configuration number.
	Printer Serial Number	Unique serial number for the printer.
	Flash Memory Information	File system and use information for the printer flash memory.

Chapter 4 – Configure the Printer

Type	Name	Description
	RAM Memory Information	Amount (in bytes) of total, currently used, and free RAM.
Print Statistics	Labels Printed	
	RFID Statistics	(Appears when optional RFID module is installed).
	Customer Odometer	
	Total Distance Printed (Printer)	Length of media (in meters) printed by this printer since first startup.
Supply	Printhead Information	
	Media Information	
	Ribbon Information	
Hardware Options	I/O Devices: Main Logic Board Ethernet USB Device Bluetooth Thermal Printhead Front Panel RFID Parallel Port Power Supply Unit	Name, part number, and serial number of hardware installed in this printer.
	Replaced I/O Devices	For hardware devices with serial numbers, lists any devices that were installed and replaced.
	Serial COM	
Administration	User	
Network Interfaces	MAC Address	MAC address of installed Ethernet module.
	Interface	
	Internet Protocol	
	Transport Control Protocol	
	Wireless 802.11	
Font Information	Name	Font name.

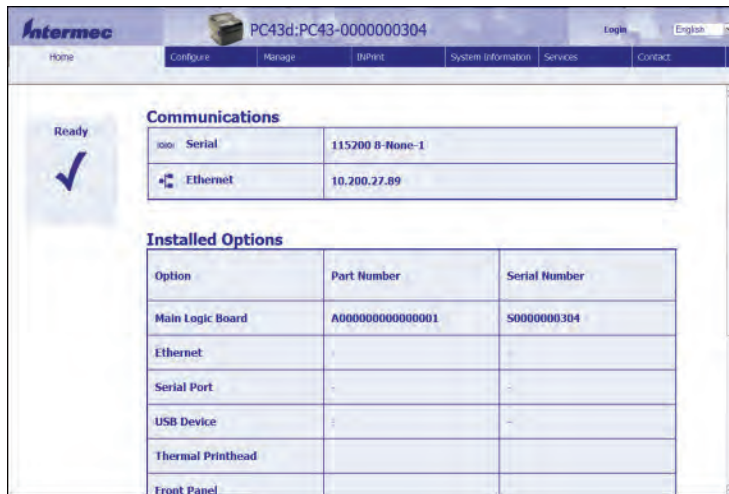
Type	Name	Description
	Type	Type of font (bitmap or TrueType).
	Location	Installation location (resident as part of firmware, or user-installed).
	Size (bytes)	Font file size in bytes.
Barcode Information	Name	Name of symbology.
	Type	Type of symbology (1D or 2D)
Image Information	Name	Name of image file.
	Type	Type of image.
	Location	Installation location (resident as part of firmware, or user-installed).
	Size (bytes)	Image file size in bytes.

Configure the Printer From the Web Page



Note: To configure the printer from its web page, the printer must be turned on and connected to your Wi-Fi or Ethernet network.

- 1 On your desktop PC, start a browser.
- 2 In the **Location** or **Address** bar, type the printer IP address and then press **Enter**. The printer web page appears.



- 3 Click **login** in the upper right corner of the screen. The Login page appears.
- 4 Type your **Username** and **Password** in the entry fields and then click **Login**. The default username is `itadmin` and the default password is `pass`.
- 5 Click the **Configure** tab. The Configuration Summary page appears.

- 6 To see a complete list of printer settings, click **Configuration Summary**.

To configure printer settings, use the links in the navigation pane:

- For serial port, Wi-Fi, or Bluetooth settings, click **Communications**.
 - For media, print quality, or performance settings, click **Printing**.
 - For display, audio, service, and general settings, maintenance alert message triggers, or to enable and disable 802.11 and Bluetooth or the virtual COM port, click **System Settings**.
 - To set conditions that trigger error, warning, and information alert messages, click **Alerts**.
 - For network-related settings such as web and email server information, or if you are using a network management application such as Intermec SmartSystems, click **Network Services**.
- 7 Change settings by typing in the fields or by selecting an item from a list.
 - 8 To save your changes, click **Save**.
To reset all values and options on the page to the default settings, click **Default Settings**.

View the Configuration Summary



Note: To view the configuration summary from the printer web page, the printer must be turned on and connected to your Wi-Fi or Ethernet network.

- 1 On your desktop PC, start a browser.
- 2 In the **Location** or **Address** bar, type the printer IP address and then press **Enter**. The printer web page appears.
- 3 Click the **Configure** tab.

- 4 Click **Configuration Summary**. The configuration summary appears.



Note: This may take several minutes depending on the options in your printer and your network connection.



About Printer Profiles

After you change printer default settings to meet your needs, you can save those settings as a printer profile. The printer supports multiple profiles that you can save and load at any time. For example, you can create one profile to use when you are printing on continuous label stock, and a different profile to use when you are printing on label stock with gaps.

The following printer settings are not saved in a profile:

- IP address for either IPv4 or IPv6 networks
- Media calibration settings for the label stop sensor
- Remote port or remote host values for a remote computer which connects to the printer through raw TCP

Create or Load a Printer Profile

This topic explains how to save the current settings as a printer profile, and how to load a saved profile.

- 1 From the Ready screen, press . The Main Menu appears.
- 2 Select **Tools > Profiles**. The Profiles menu appears.
- 3 To save the current printer settings as a profile, select **Save**. In the Save Profile menu, select **Filename** and enter a name for the profile of up to sixteen characters (no spaces).


To load a saved profile, select **Load**. In the Load Profile menu, select the profile to load.

Export or Upload Configuration Files

After you save the printer configuration settings to a file, you can export the file to a USB storage device and upload it to other printers.

- 1 From the Ready screen, press . The Main Menu appears.
- 2 Select **Tools > USB Menu**.
- 3 Select **Configuration**.
- 4 To export a configuration file from the printer memory to the USB storage device, select **Export Configuration**. A list of the available files appears.

To import a configuration file from the USB storage device to the printer memory, select **Install Configuration**. A list of the available files appears.

- 5 Select the file to export or install and then press . The file is exported or installed.

Upload or Export Applications and Files

This topic explains how to upload applications and files to the printer using a USB storage device.



You can also export applications and files from the printer to the storage device.





Note: You can only export applications and files that you previously uploaded to the printer memory.

- 1 Copy the files to a USB storage device. Place the files in directories at the root of the USB device as follows:



File Type	Place in This Directory
Application	/apps
Font	/fonts
Form/layout	/forms
Web form	/webforms
Image	/images
Display images	/display
Configuration profile	/profiles
Configuration	/config
Fingerprint script	/scripts
Firmware	/firmware
Installation package (UFF resource file)	Root of USB storage device
Start file	Root of USB storage device

- 2 Insert the storage device into the USB host port on the printer. The USB Device menu appears.
- 3 Select an item in the USB Device list:
 - To upload an application or other file into the printer memory from the USB storage device, select **Install Resources** and then press .
 - To export an application or file from the printer to the USB storage device, select **Export Resources** and then press .

- 4 Select the type of item you want to upload or export (**Applications**, **Fonts**, **Forms/layout**, **Web Forms**, **Images**, or **FP Scripts**) and then press .
- 5 Select the file from the list and then press . The file is uploaded to the printer memory or exported to the USB storage device.

Print a File from a USB Storage Device

If you are uploading image files to the printer from a USB storage device, you can print an image file. For example, you can print a file before uploading it to be sure it is the correct file to upload.

- 1 Insert the USB storage device into the printer USB host port.
- 2 From the Ready screen, press . The Main Menu appears.
- 3 Select **Tools** > **USB Menu** > **Print File**. A list of printable files appears.
- 4 Select the file from the list and press . The file prints.

Upload or Delete Applications and Resources

From the printer web page, use the Manage page to upload or delete applications, fonts, images, label formats, or web forms.

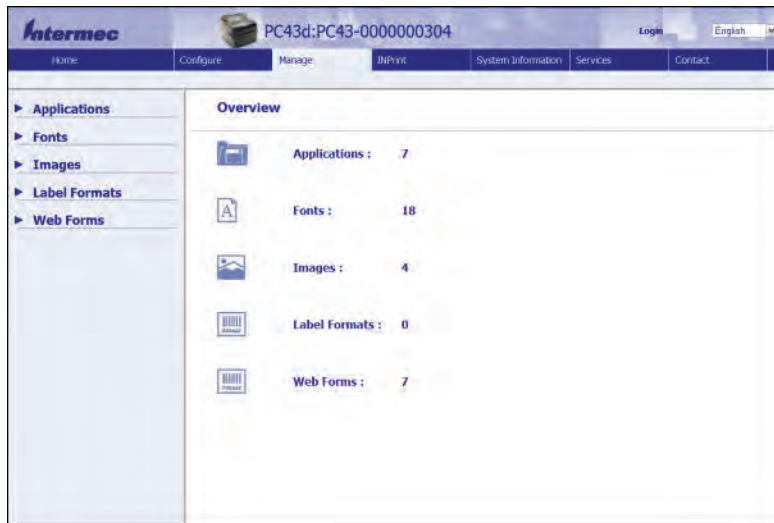


Note: You can only delete applications and resources you downloaded to the printer memory. You cannot delete resident applications or resources, which are installed as part of the printer firmware.

To upload or delete applications or resources from the printer web page, the printer must be turned on and connected to your Wi-Fi or Ethernet network.

- 1 On your PC, start a browser.
- 2 In the **Location** or **Address** field, type the printer IP address and press **Enter**. The printer web page appears.

3 Click the **Manage** tab.



4 In the navigation list, click the type of file you want to upload or delete: **Applications**, **Fonts**, **Images**, **Label Formats**, or **Web Forms**. The page for that type of file appears, including a list of **Resident** (Intermec-supplied) files of that type and a list of **Customer Downloaded** files of that type (if any).

5 To upload an application or file to the printer:

- a Click **Browse** to locate your application or file.
- b Double-click the file to select it.
- c Click **Upload**. The application or file uploads to the printer.

To delete an application or file, click the file name in the **Customer Downloaded** list and then click **Delete**. The file is deleted.

5

Troubleshoot the Printer

This section explains how to troubleshoot the PC23 and PC43 printers.

Call Product Support

If you cannot find the answer to your problem in the “Troubleshooting” section, go to the Intermec technical knowledge base (Knowledge Central) at intermec.custhelp.com to review technical information or to request customer support. If you still need help after visiting Knowledge Central, call Product Support.

To talk to an Intermec Product Support representative in the U.S.A. or Canada, call:

1-800-755-5505

Outside the U.S.A. and Canada, go to www.intermec.com and click **Contact Us** to find your local Intermec representative.

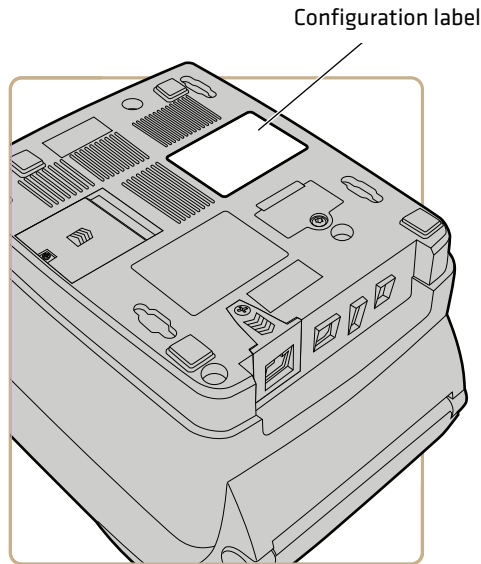
Before you call Intermec Product Support, make sure you have this information ready:

- Printer serial number
- Printer configuration number
- Firmware type and version
- Printer command language
- Wireless or serial port settings
- Installed options
- Media settings
- Ethernet settings
- Bluetooth settings

You can find all of this information on the printer web pages or on a test label.

Locate the Printer Configuration and Serial Numbers

The printer configuration and serial numbers can be found on the product label located on the underside of the printer.

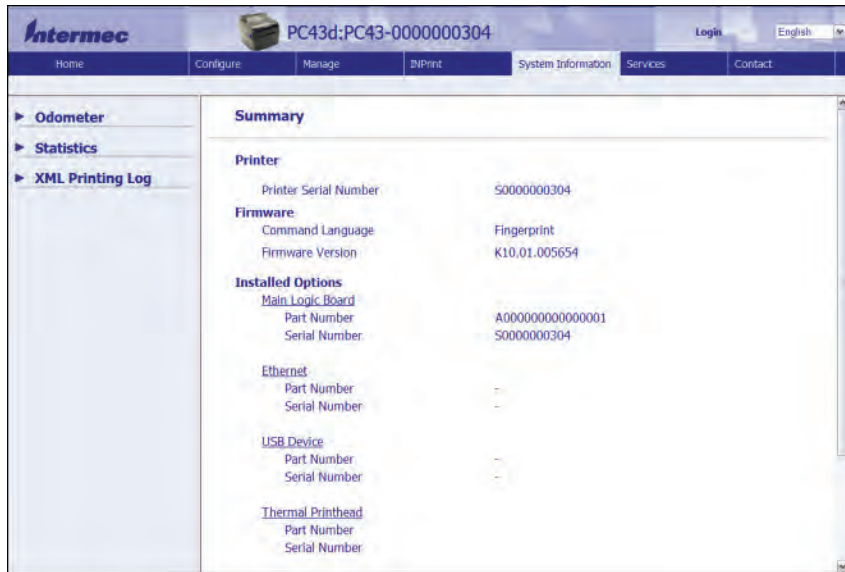


About Printer System Information

Look in the System Information tab in the printer web pages for useful information and statistics on the printer hardware and firmware. This information can be useful when you contact Intermec Product Support for assistance or troubleshooting.



Note: The printer must be connected to an Ethernet or wireless network to view system information in the printer web page.



System Information Tab in Printer Web Pages

View Printer Statistics

If your printer is connected to an Ethernet or Wi-Fi network, you can view printer statistics in the printer web page.

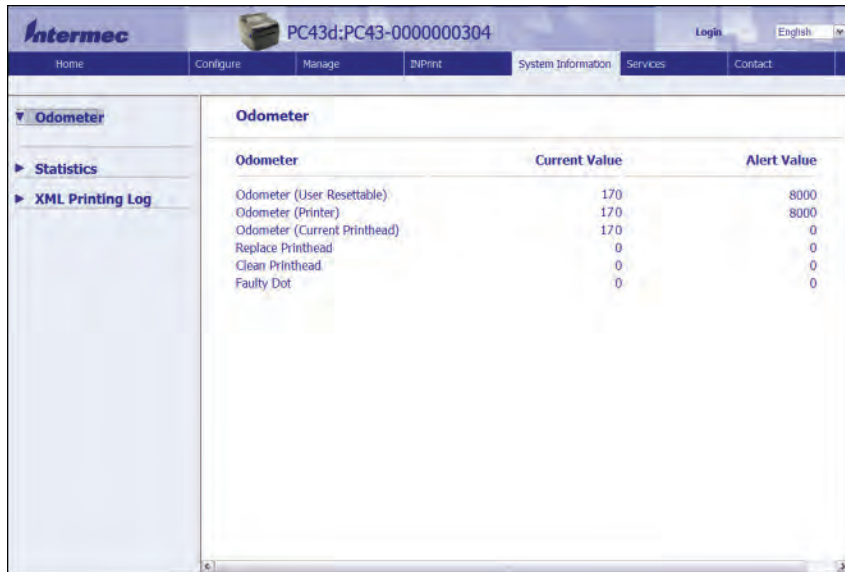
- 1 On your PC, open a browser.
- 2 In the **Location** or **Address** bar, type the printer IP address and press **Enter**. The printer web page appears.
- 3 Click the **System Information** tab.
- 4 Click **Statistics**.
- 5 Click a category to see more information. For example, click **Print Statistics** to see the number of labels printed and odometer values.

Statistic	Description
System information	Printer uptime and CPU usage, firmware and kernel versions, printer configuration and serial numbers, flash and RAM memory information.
Print Statistics	Total labels printed, RFID tag success rate, odometer values, total distance printed (printer and current printhead).
Supply	Printhead, media, and ribbon information.
Hardware Options	Input/output devices, serial port information.
Administration	Failed login tries, user information.
Network Interfaces	MAC address, TCP/IP and 802.11 network information.
Font Information	Name, type, and size of installed fonts.
Bar Code Information	Name and type of installed bar code fonts.
Image Information	Name, type, and size of installed images.

Check the Printer Odometer

You can check the odometer from the printer web page to see the printhead usage and how the current values compare to the alert values. To check the printer odometer from the printer web page, the printer must be turned on and connected to your Wi-Fi or Ethernet network.

- 1** On your desktop PC, start a browser.
- 2** In the **Location** or **Address** bar, type the printer IP address and press **Enter**. The web page for the printer appears.
- 3** Click the **System Information** tab.
- 4** Click **Odometer**. The list of current odometer statistics appears.



About Alerts

To help maintain the printer, you can configure the printer to send alert messages when certain conditions occur. For example, the printer can send a message when the odometer reaches a certain value, or if the printhead is lifted during printing.

There are three types of alerts:

- Error alerts
- Information alerts
- Warning alerts

You configure alert settings in the printer web page. Alert messages can be sent to an email address, an SNMP trap, or both. You can enable or disable each type of alert, set the number of times the alert is repeated, set the unit of measure that determines how often the alert is sent, and change the default text message for the alert.

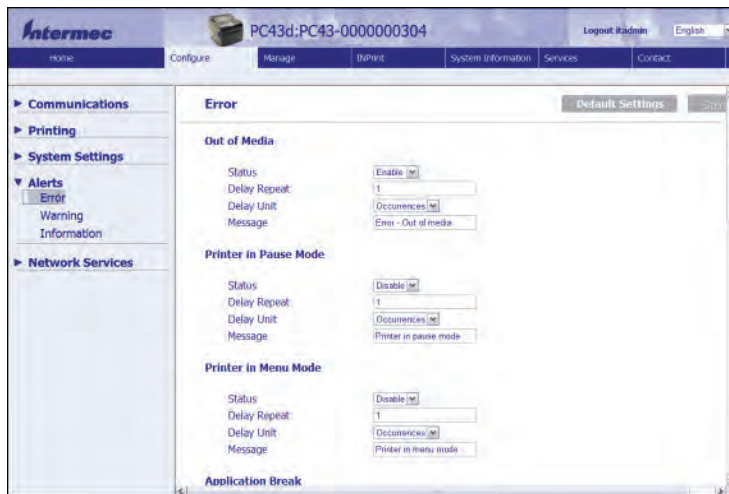
Configure Alerts

This section explains how to configure alerts and alert messages. You configure alert settings from the printer web page.



Note: To configure the printer from its web page, the printer must be turned on and connected to your Wi-Fi or Ethernet network.

- 1 On your desktop PC, start a browser.
- 2 In the **Location** or **Address** bar, type the printer IP address and press **Enter**. The printer web page appears.
- 3 Click **Login** in the upper right corner of the screen. The Login page appears.
- 4 Type your **Username** and **Password** in the entry fields, and then click **Login**.
- 5 Click the **Configure** tab > **Alerts**.



- 6 Click **Error** to configure error alerts.
Click **Warning** to configure warning alerts.
Click **Information** to configure information alerts.

- 7 Change alert settings as necessary. When you are finished, click **Save**.

To restore default settings for all alerts on the page, click **Default Settings**.

Maintenance and Error Alert Messages

Use these tables to understand and troubleshoot some common error alerts you may receive and how to fix them.



Message	Description and Solution
Label Not Taken	Printing has been stopped because a label is obstructing the label taken sensor. Remove the label to resume printing.
Printhead Lifted	Lower the printhead.
Out of Ribbon	Load ribbon in the printer.
Out of Media	Load media in the printer.
Ribbon Low	The diameter of the remaining roll of media is lower than the specified value in the Ribbon Low Diameter setting. Replace the ribbon.
Media Low	The diameter of the remaining roll of media is lower than the specified value in the Media Low Diameter setting. Replace the media.
Ribbon Installed	The printer is configured as a direct thermal printer and thermal transfer ribbon is installed. Remove the ribbon or configure the printer for thermal transfer media.
Printer in Pause Mode	A print job is paused from the front panel. Press the Print button to resume printing.
Printer in Menu Mode	A user entered a menu from the front panel. Press the Home button to return to the Ready screen.
Application Break	Fingerprint only. An application breaks uncontrolled.
Print Job Complete	A print job has been successfully completed.
Odometer (Printer)	The printer has reached a limit set in the Odometer (Printer) setting in Maintenance Alerts for the amount of media to print before being alerted.

Message	Description and Solution
Odometer (User Resettable)	The printer has reached a limit set in the Odometer (User Resettable) setting in Maintenance Alerts for the amount of media printed since the last reset.
Printhead Too Hot	The printhead is overheated and needs to cool down. Wait for printing to resume automatically.
Printhead Not Detected	The printer is not detecting the printhead. Check the printhead cable.
Faulty Dot	The printhead has reached the number of faulty dots set in the Faulty Dots setting in Maintenance Alerts. You may need to replace the printhead.
Replace Printhead	The printer has reached a limit set in the Replace Printhead setting in Maintenance Alerts for the amount of media to print before replacing the printhead. Replace the printhead.
Clean Printhead	The printer has reached a limit set in the Clean Printhead setting in Maintenance Alerts for the amount of media to print before cleaning the printhead. Clean the printhead.
No RFID Tag Found	The printer cannot find an RFID tag.
RFID Not Installed	You are attempting to write to a tag, but the printer does not support RFID. You must install the RFID module in the printer to be able to write to RFID tags.
Upgrading Firmware	The printer is going to start upgrading the firmware. Do not try to send anything to the printer.
Printer is Rebooting	The printer is going to restart. Wait until the printer is ready before attempting to communicate with it.
Started	The printer is in the process of starting up.
Motor Too Hot	The printer motor has reached its maximum operating temperature limit. Let the motor cool down before you resume printing.

Restore Defaults on the Printer

- 1** Turn the printer off.
- 2** Pull one or both of the printer latches forward and lift the printer lid.
- 3** Turn the printer on.

- 4 For an icon printer, watch the icon panel. When the bottom row of icons turns off, press and hold , and release  when the Ready-to-Work indicator begins flashing.

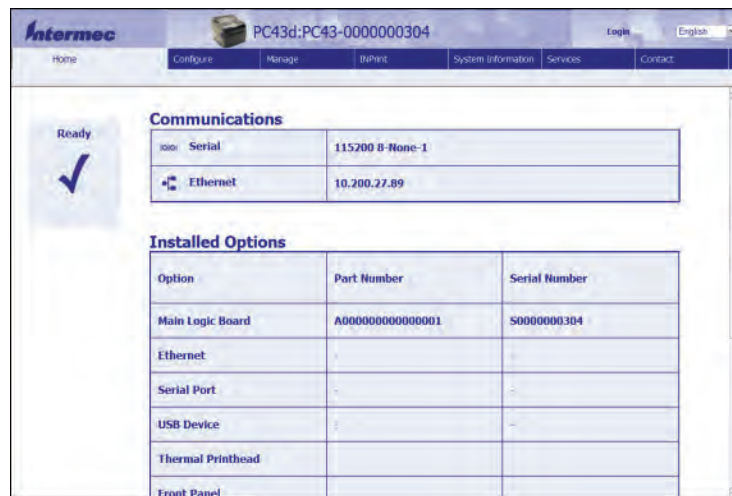
For an LCD printer, watch the startup progress bar. When the bar is halfway across the screen, press and hold , and release  when the first screen of the Startup Wizard appears.

- 5 Close the printer lid. The defaults are restored. For an LCD printer, follow the instructions in the Startup Wizard.

Restore Defaults from the Printer Web Page

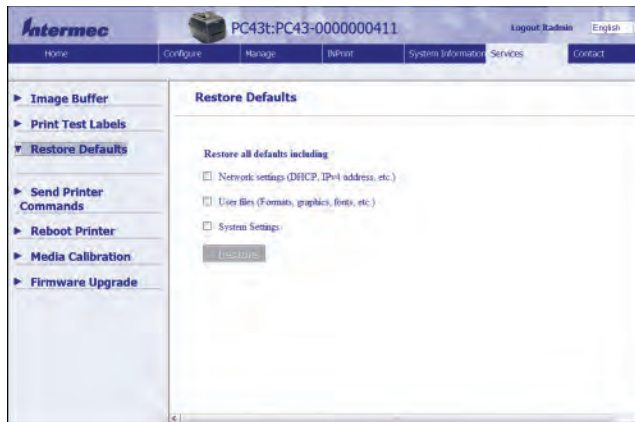
If the printer is connected to an Ethernet or wireless network, you can restore default settings from the printer web page.

- 1 On your desktop PC, start a web browser.
- 2 In the address field, type the printer IP address and then press **Enter**. The printer web page appears.



- 3 Click **login** in the upper right corner of the screen. The Login page appears.
- 4 Type your **Username** and **Password** in the entry fields and then click **Login**. The default username is `itadmin` and the default password is `pass`.

5 Click the **Services** tab > **Restore Defaults**.



6 Select the settings you want to restore:





- Check the **Network settings** check box to restore defaults for all network connections, such as IP address and network name.
- Check the **User files** check box to erase all files you uploaded to the printer memory.
- Check the **System Settings** check box to restore defaults for system settings, such as media width or maintenance alerts.

7 Click **Restore Defaults**. A confirming message appears.

8 Click **Yes** to continue. The printer restarts and the settings you selected are restored to default values.

Restore Defaults from the Main Menu

This topic explains how to reset printer settings to their default values from the Main Menu. You can choose to restore default network settings, keep or delete user-installed files, and to restore all system settings like media type or serial port settings.

- 1 From the Ready screen, press . The Main Menu appears.
- 2 Select **Tools > Restore Defaults**. The Restore Defaults menu appears with all items in the list selected by default. If you continue without changing anything, the current network and system settings will be restored to default values, and any files or programs you uploaded to the printer will be erased from the printer memory.
- 3 To restore all default settings, continue with the next step. You can also change the settings that are restored as follows:
 - To keep the current network settings, clear the **Network settings** check box.
 - To keep all applications, fonts, and other files you have installed on the printer, clear the **User files** check box.
 - To keep all current system settings, clear the **System Settings** check box.
- 4 Select  and press . A confirming message appears.
- 5 To continue, press . The default settings are restored and the printer restarts. When the printer finishes starting up, the Setup Wizard begins. Follow the instructions to complete the Wizard.

To return to the Main Menu without restoring any defaults, select **No**. To return to the Restore Defaults list without restoring any defaults, select **Cancel**.

About Firmware Upgrades

Intermec periodically offers firmware upgrades for the printer. You can upgrade the firmware by:

- copying the firmware to a USB storage device and inserting the device into the printer.
- connecting to the printer through your Ethernet or wireless network and using the printer web page.
- connecting to the printer through a USB connection and using PrintSet.

Upgrade Firmware from the Printer Web Page

You can upgrade the printer firmware from the printer web page. To configure the printer from the web page, the printer must be turned on and connected to your Wi-Fi or Ethernet network.

- 1 On your PC, open a browser.
- 2 In the **Location** or **Address** field, type the printer IP address and press **Enter**. The printer web page appears.
- 3 Click **Login** in the upper right corner of the screen. The Login page appears.
- 4 Type your **Username** and **Password** in the text fields and click **Login**.
- 5 Click the **Services** tab and then select **Firmware Upgrade**. The Firmware Upgrade screen appears, showing the current firmware version.
- 6 Click **Browse** to locate the upgrade file, select it, and then click **Open**.
- 7 Click **Upgrade**. The printer web page shows that it is upgrading firmware on your printer.

Upgrade Firmware with a USB Storage Device

This procedure explains how to upgrade the printer firmware using a USB storage device.



Note: For best results, Intermec recommends using a USB storage device that contains no other files.

- 1 Download the printer firmware from the Intermec website.
- 2 Copy the firmware upgrade file (typically in .bin format) to the root of a USB storage device.
- 3 Insert the USB storage device into one of the USB host ports.

- 4 Restart the printer. The upgrade file is loaded into the printer memory. This may take several minutes.

For the LCD printer, after the upgrade file is loaded, the printer restarts and the Ready screen appears. The printer is ready to use.

For the icon printer:

- a As the upgrade file is loaded, all icons in the icon panel turn on and then turn off, except for the Maintenance icon.
- b After the upgrade file is loaded, the printer restarts and the Ready-to-Work indicator turns on.

If the Ready-to-Work indicator turns on and stays on, the upgrade process is finished and the printer is ready to use.

If the Ready-to-Work indicator is flashing, you need to restart the printer once again to complete the upgrade.

If the Ready-to-Work indicator is off, there may be a condition that is preventing the printer from restarting. For example, the printer lid may not be fully closed.



Upgrade Firmware from the USB Menu

This section explains how to upgrade the printer firmware through the USB menu. This procedure is different from upgrading firmware from a USB storage device without going through the USB menu.



Note: You can use this procedure if you have an LCD printer. For an icon printer, use the procedure described in “Upgrade Firmware with a USB Storage Device.”

- 1 Download the printer firmware from the Intermec website.
- 2 On your USB storage device, create a /firmware directory.
- 3 Copy the firmware upgrade file (typically .bin format) to the /firmware directory on the USB storage device.
- 4 Insert the USB storage device into the printer USB host port. The USB Menu appears.
- 5 In the USB Menu list, select **Upgrade Firmware**.

- 6** In the Upgrade Firmware list, select the firmware upgrade file and press . An “Upgrade Firmware?” message appears.
- 7** Press  to start the upgrade. When the upgrade is complete, the printer restarts and the Ready screen appears.

6

Maintain the Printer

This section explains how to perform basic maintenance on the PC23 and PC43 printers.

Clean the Printhead

Cleaning the printhead on a regular basis is important for the life of the printhead and for the print quality. You should clean the printhead each time you replace the media. Follow this procedure to clean the printhead using the cleaning card. If you need to clean additional residue from the platen roller or tear bar, use a cotton swab moistened with isopropyl alcohol.



Caution: Never use hard or sharp tools to peel away stuck labels for other material. The printhead is delicate and can easily be damaged.

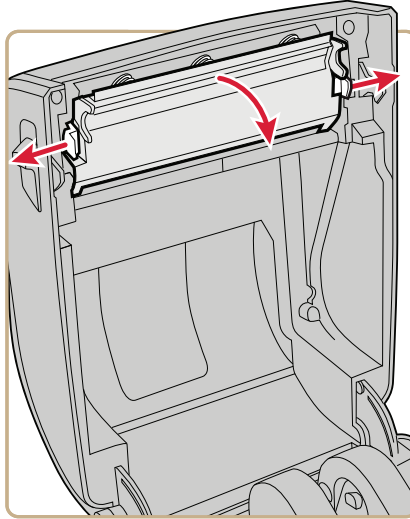
- 1 Turn the printer off and disconnect the printer from power.
- 2 Open the printer and remove the media and ribbon (if installed).
- 3 Insert most of the cleaning card under the printhead, and then lower the printhead.
- 4 Pull out the cleaning card and raise the printhead.
- 5 Wait for approximately 30 seconds to allow the cleaning fluid to dissolve the residue.
- 6 Repeat Steps 3 through 5 if necessary.
- 7 If necessary, clean residue from the platen roller or tear bar with a cotton swab moistened with isopropyl alcohol.
- 8 Once the parts are dry, replace the media (and ribbon) in the printer.
- 9 Close the printer, reconnect power, and turn on the printer.

Replace the Printhead

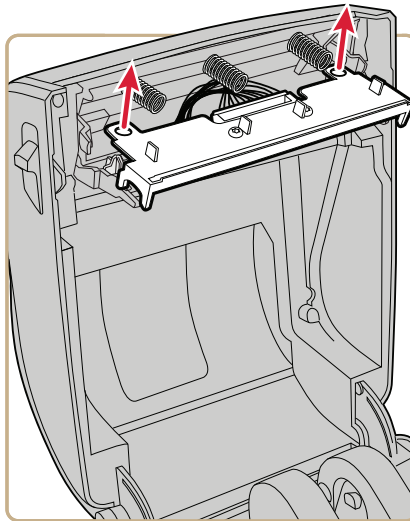
- 1 Turn off the printer and disconnect the power cord.
- 2 Pull one or both of the printer latches toward the front of the printer and lift the printer lid.

For a thermal transfer printer, remove the ribbon.

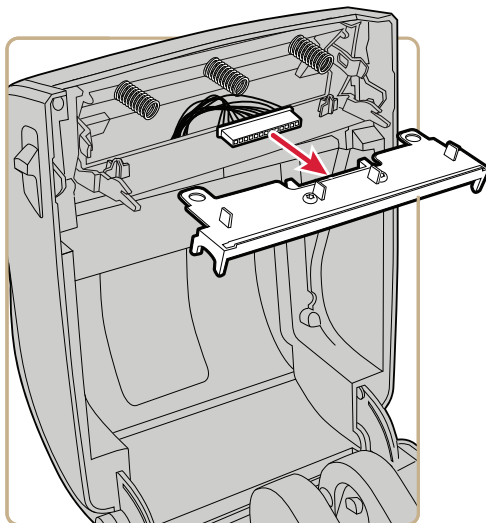
- 3** Press the printhead latches apart until the printhead slides forward.



- 4** Carefully slide the printhead out of the mechanism. The printhead is still attached to the mechanism by a ribbon cable.



- 5 Disconnect the cable from the printhead and remove the printhead from the printer.



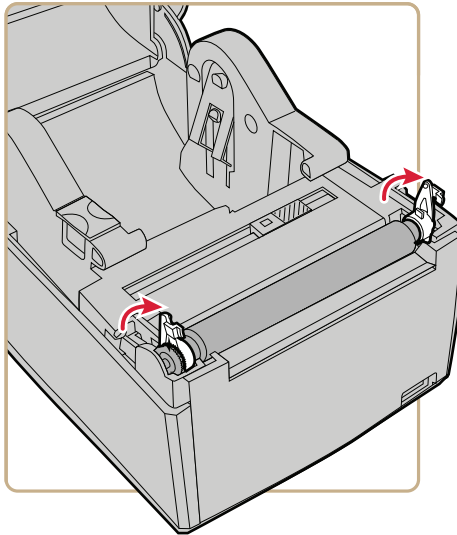
Caution: Do not touch the printhead surface area.

- 6 Connect the ribbon cable to the new printhead.
- 7 Slide the printhead into the holders in the print mechanism.
- 8 Press the printhead onto the locator pins in the mechanism.
- 9 Tilt the printhead up into the printer lid and press it into place. When the printhead is in the correct position, the printhead latches snap into place on the sides of the printhead.
- 10 For a thermal transfer printer, install the ribbon.
- 11 Close the printer lid until it snaps shut.
- 12 Print a test label.

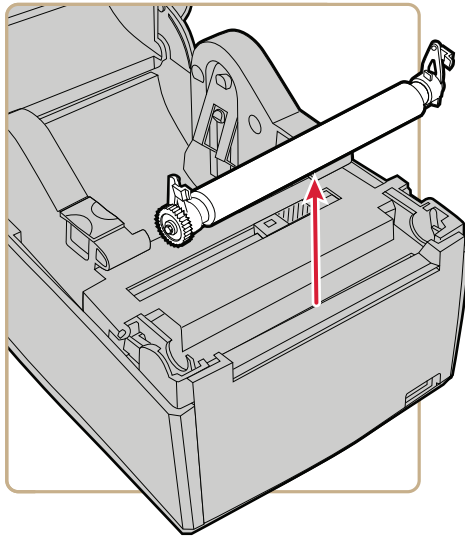
Clean the Platen Roller

Follow this procedure to remove, clean, and replace the platen roller as part of standard maintenance for the printer. Intermec recommends that you check the platen roller for debris and clean it each time you replace media.

- 1** Turn the printer off and disconnect the power cord.
- 2** Pull one or both of the printer latches toward the front of the printer and lift the printer lid.
- 3** Remove the installed media.
- 4** Press the roller latches apart and tilt them up.



- 5 Pull the latches up to remove the platen roller from the printer.



- 6 Remove any adhesive residue from the roller with a cotton swab moistened with isopropyl alcohol.
- 7 Reverse Steps 4 and 5 to install the roller.
- 8 Press the latches into the printer until they snap into place.
- 9 Replace the media in the printer.
- 10 Close the printer lid until it snaps shut.

Clean the Exterior of the Printer

Make sure to keep the exterior of the printer clean. Maintaining a clean exterior will reduce the risk of dust or foreign particles reaching the inside of the printer and affecting printer functionality.

Use a soft cloth, possibly moistened with water or a mild detergent, when cleaning the printer exterior.

Make sure to keep the surface surrounding the printer clean as well.

Recommended Cleaners

Intermec has tested and recommends these cleaning products for compatibility with the exterior surfaces of the PC23 and PC43 printers.



Note: Do not use products containing ethylene glycol to clean the exterior of the PC43t.

Manufacturer	Product	Use On These Printers
Homax	Goo Gone	All
Johnson	Virex TB	All
Metrex	Cavi Wipes	All
Multiple suppliers	70% isopropyl alcohol Ammonium chloride 10% Ethylene glycol Screen Clearer Sodium Hypochlorite 6%	All. Do not use ethylene glycol to clean the exterior of the PC43t.
Orange-Sol	Multi-Use Citrus	All
PDI	SANI-CLOTH HB SANI-CLOTH PLUS SUPER SANI-CLOTH	All
PDI and others	Alcohol Prep Pads	All
Quest Chemical Corporation	Grime Buster	All
Spartan	Super HDQL 10	All
Surgipath	Cloro-Wipe Towelette	All
Techspray Renewal	Eco-Shower	All
Veridien	Viraguard®	All
Vernacare	Tuffiewipes	All

A

Specifications and Default Settings

Printer Specifications

PC23d Physical Specifications

Dimensions:	17.7 cm x 12.5 cm x 21.5 cm (6.97 in x 4.92 in x 8.46 in)
Weight:	1.45 kg (3.20 lbs)
Power Supply Requirements:	100–240 VAC, 50–60 Hz, 60W
Operating Temperature:	5°C to 40°C (41°F to 104°F)
Storage Temperature:	-40°C to 60°C (-40°F to 140°F)
Relative Humidity:	20 to 80% non-condensing

PC23d Print Speed, Resolution, and General Media Specifications

Print Mode:	Direct thermal
Print Speed (variable):	203 dpi: 50 to 200 mm/sec (2 to 8 ips) 300 dpi: 50 to 150 mm/sec (2 to 6 ips)
Print Resolution:	203 dpi: 8 dots/mm 300 dpi: 11.8 dots/mm
Print Width:	203 dpi: 56 mm (2.2 in) max 300 dpi: 54 mm (2.1 in) max
Media Width:	15 to 60 mm (0.59 to 2.36 in)
Label Roll Diameter (maximum):	127 mm (5 in)
Label Length (minimum):	6.35 mm (.25 in)
Gap Length Between Labels:	2 to 10 mm (0.08 to 0.39 in)
Black Mark Length	3 to 10 mm (0.12 to 0.39 in) centered between tickets, 15% maximum reflectance
Media Thickness:	76.2 to 203 µm (3 to 8 mil), flexible wristbands up to 10 mils (maximum)
Media Density:	60 to 181 g/m ²
Liner Opacity (maximum):	76% (TAPPI T425)
Gap and Black Mark Sensor	Adjustable from left media edge to 4.5 mm right of center on LCD printers (fixed at center on Icon printers)

PC43d Physical Specifications

Dimensions:	16.8 cm x 18.0 cm x 21.5 cm (6.61 in x 7.09 in x 8.46 in)
Weight:	1.72 kg (3.80 lbs)
Power Supply Requirements:	100–240 VAC, 50–60 Hz, 60W
Operating Temperature:	5°C to 40°C (41°F to 104°F)
Storage Temperature:	-40°C to 60°C (-40°F to 140°F)
Relative Humidity:	20 to 80% non-condensing

PC43d Print Speed, Resolution, and General Media Specifications

Print Mode:	Direct thermal
Print Speed (variable):	203 dpi: 50 to 200 mm/sec (2 to 8 ips) 300 dpi: 50 to 150 mm/sec (2 to 6 ips)
Print Resolution:	203 dpi: 8 dots/mm 300 dpi: 11.8 dots/mm
Print Width:	203 dpi: 104 mm (4.09 in) max 300 dpi: 106 mm (4.17 in) max
Media Width:	19.05 to 118 mm (0.75 to 4.65 in)
Label Roll Diameter (maximum):	127 mm (5 in)
Label Length (minimum):	6.35 mm (.25 in)
Gap Length Between Labels:	2 to 10 mm (0.08 to 0.39 in)
Black Mark Length	3 to 10 mm (0.12 to 0.39 in) centered between tickets, 15% maximum reflectance
Media Thickness:	76.2 to 203 µm (3 to 8 mil)
Media Density:	60 to 181 g/m ²
Liner Opacity (maximum):	76% (TAPPI T425)
Gap and Black Mark Sensor	Adjustable from left media edge to 4.5 mm right of center on LCD printers (fixed at center on Icon printers)

PC43t Physical Specifications

Dimensions:	18.2 cm x 21.1 cm x 28.1 cm (7.17 in x 8.31 in x 11.06 in)
Weight:	2.70 kg (5.95 lbs)
Power Supply Requirements:	100–240 VAC, 50–60 Hz, 60W
Operating Temperature:	5°C to 40°C (41°F to 104°F)
Storage Temperature:	-40°C to 60°C (-40°F to 140°F)
Relative Humidity:	20 to 80% non-condensing

PC43t Print Speed, Resolution, and General Media Specifications

Print Mode:	Thermal transfer or direct thermal
Print Speed (variable):	203 dpi: 50 to 200 mm/sec (2 to 8 ips) 300 dpi: 50 to 150 mm/sec (2 to 6 ips)
Print Resolution:	203 dpi: 8 dots/mm 300 dpi: 11.8 dots/mm
Print Width:	203 dpi: 104 mm (4.09 in) max 300 dpi: 106 mm (4.17 in) max
Media Width:	19.05 to 118 mm (0.75 to 4.65 in)
Label Roll Diameter (maximum):	127 mm (5 in)
Label Length (minimum):	6.35 mm (.25 in)
Gap Length Between Labels:	2 to 10 mm (0.08 to 0.39 in)
Black Mark Length	3 to 10 mm (0.12 to 0.39 in) centered between tickets, 15% maximum reflectance
Media Thickness:	76.2 to 203 µm (3 to 8 mil)
Media Density:	60 to 181 g/m ²
Liner Opacity (maximum):	76% (TAPPI T425)
Ribbon Width	25.4 to 110 mm (1 to 4.33 in)
Ribbon Roll Diameter (maximum)	68 mm (2.68 in)
Ribbon Core (I.D.)	12.7 mm or 25.4 mm (0.5 or 1 in)
Ribbon Core Length	110 mm (4.33 in) notched

PC43t Print Speed, Resolution, and General Media Specifications (continued)

Gap and Black Mark Sensor	Adjustable from left media edge to 4.5 mm right of center on LCD printers (fixed at center on Icon printers)
---------------------------	--

Memory

- 128 MB flash
- 128 MB SDRAM
- (optional) USB memory device, up to 32 GB

Supported Command Languages

- Fingerprint
- Direct Protocol
- Intermec Printer Language (IPL)
- ESim
- ZSim
- DSim

Media Sensors

- Label gap/tag notch
- Black mark
- Cover open
- Label taken (on cutter and label dispenser accessories)

Supported Graphic File Types

- PCX, PNG, GIF, and BMP

Drivers

- Support for Microsoft Windows XP, Vista, Windows 7, Server 2003, and Server 2008
- Supports 32-bit and 64-bit editions

Network Services

- FTP
- HTTP Server
- SNMP
- Line Printer Remote Protocol (lpr)
- Telnet
- DHCP
- Ping
- IPSEC/IKEv2 over IPv6
- SSH

Universal Font Scaling Technology and Standard Latin Fonts

- Monotype Century Schoolbook
- CG Times
- CG Times Bold
- Letter Gothic
- Andale Mono (WGL4)
- Andale Mono Bold (WGL4)
- Univers 55
- Univers Bold 65
- Univers Condensed Bold
- Univers Extra Condensed
- OCR-A
- OCR-B

Supported Font Types

- TrueType
- OpenType
- Bitmap

Localization Fonts

- Simplified Chinese (optional)
- Traditional Chinese (optional)
- Cyrillic
- Korean (Optional)
- Latin
- Greek
- Turkish
- Hebrew
- Arabic
- Baltic
- Baltic Rim
- Vietnamese
- Thai

Supported Bar Code Symbologies

1D bar code symbologies:

- Codabar
- Code 11
- Code 39:
 - Code 39 full ASCII
 - Code 39 with checksum
- Code 93
- Code 128:
 - Code 128 Subset A
 - Code 128 Subset B
 - Code 128 Subset C
 - Code 128 UCC
- DUN-14/16

Appendix A – Specifications and Default Settings

- EAN:
 - EAN-8
 - EAN-13
 - EAN 128
 - EAN 128 subset A
 - EAN 128 Subset B
 - EAN 128 Subset C
- HIBC 39
- HIBC 128
- Industrial 2 of 5:
 - Industrial 2 of 5 with checksum
- Interleaved 2 of 5:
 - Interleaved 2 of 5 with checksum
 - Interleaved 2 of 5 IATA
- ISBT-128
- Matrix 2 of 5
- Straight 2 of 5
- UPC:
 - UPC-A
 - UPC-D1
 - UPC-D2
 - UPC-D3
 - UPC-D4
 - UPC-D5
 - UPC-E
 - UPC Shipping container Code

Add-on bar code symbologies:

- Add-on 2
- Add-on 5

- UPC-5 digits Add-on code

2D bar code symbologies:

- Aztec
- Code 16K
- Code 49
- Data Matrix
- Dot Code
- Grid Matrix
- GS1 DataBar (previously called RSS-14):
 - GS1 DataBar Expanded
 - GS1 DataBar Expanded Stacked
 - GS1 DataBar Limited
 - GS1 DataBar Stacked
 - GS1 DataBar Stacked Omnidirectional
 - GS1 DataBar Truncated
- MaxiCode
- MicroPDF417
- MSI (modified Plessey)
- PDF417
- Planet
- Plessey
- Postnet
- QR Code
- USPS 4-State Customer Bar Code

Composite bar code symbologies:

- EAN-8 Composite (CC-A, CC-B)
- EAN-13 Composite (CC-A, CC-B)
- GS1 Composite (previously called EAN.UCC Composite)
- UPC-A Composite (CC-A, CC-B)
- UPC-E Composite (CC-A, CC-B)

Bluetooth Settings

This section describes Bluetooth settings for the printer. To view these settings:

- From the printer Main Menu, select **Settings > Communications > Bluetooth**.
- From the printer web page, click the **Configure** tab > **Communications > Bluetooth**.

Setting	Description	Default
Security	Selects the level of security that is used when pairing devices to the printer. If you select Authentication , you must enter a passkey. If you select Auth + Encrypt , you must enter a passkey and traffic is encrypted.	Disable
Device Name	Sets the name that identifies the printer in the Bluetooth network. Maximum length is 16 characters.	Printer model number and serial number. For example, PC43-0000000411.
Discover	Determines if other Bluetooth devices can detect the printer.	Enable
Passkey	Sets the passkey that is used when pairing Bluetooth devices to the printer. Range is 1 to 16 characters (case-sensitive).	1234
Reserve	Determines if the printer is exclusively reserved for one Bluetooth device. The first Bluetooth device that connects with the printer locks out any other connection attempts.	Disable

Display and Audio Settings

This section describes display and audio settings for the printer. To view these settings:

- From the printer Main Menu, select **Settings > System Settings > Display**.
- From the printer web page, click the **Configure** tab > **System Settings > Display** or **Audio**.

Setting	Description	Default
Brightness	Selects the brightness of the printer screen.	Medium
Idle Information	Selects the information that appears on the printer screen when it is in Idle mode.	IPv4 address
Time Format	Selects the format used to display time on the printer.	24 Hour
Date Format	Selects the format used to display date on the printer.	dd/mm/yyyy
Menu Access	Determines if the Menu button on the printer web page is accessible.	Enable
PIN	Sets the password that allows access to the Menu button on the printer web page, if the Menu Access parameter is set to Enable With PIN. Range is 4 to 16 characters.	1234
Screen Timeout	Selects how long the printer screen stays on before the screen saver starts.	Disable
Feed Key Access	Determines if the Feed button on the printer keypad is enabled or disabled.	Enable
Volume	Sets the printer volume.	Off

Error, Information, and Warning Alert Settings

This section describes error, information, and warning alerts and settings. To view these settings:

- From the printer web page, click the **Configure** tab > **Alerts** > **Error, Warning, or Information**.



Note: These alert settings cannot be configured from the printer Main Menu.

Alert settings apply to each of the error, information, or warning alerts and are configured individually by alert.

Alert Setting Descriptions

Setting	Description
Status	Determines if an alert is sent out for a specific printer event.
Delay Repeat	Sets how often the alert is sent out for a specific printer event. Range is 1 to 65535.
Delay Unit	Selects the unit of measure that determines how often the alert is sent out.
Message	Sets the message that is sent out with each alert for a specific printer event.

Error Alert Default Settings

Error Alert	Status	Delay Repeat	Delay Unit	Message
Out of Media	Enable	1	Occurrences	Error - Out of media
Out of Ribbon	Enable	1	Occurrences	Error - Out of ribbon
Printer in Pause Mode	Disable	1	Occurrences	Printer in pause mode
Printer in Menu Mode	Disable	1	Occurrences	Printer in menu mode
Application Break	Disable	1	Occurrences	Error - Application Break
RFID Not Installed	Disable	1	Occurrences	Error -RFID not installed
Printhead Lifted	Enable	1	Occurrences	Error - Printhead lifted
Printhead Not Detected	Disable	1	Occurrences	Error - Printhead not detected
Printhead Too Hot	Disable	1	Occurrences	Error - Printhead too hot
Motor Too Hot	Disable	1	Occurrences	Error - Motor too hot
Power Supply Too Hot	Disable	1	Occurrences	Error - Power supply too hot

Information Alert Default Settings

Information Alert	Status	Delay Repeat	Delay Unit	Message
Print Job Complete	Disable	1	Occurrences	Print job complete
Started	Disable	1	Occurrences	Printer is started
Printer is rebooting	Disable	1	Occurrences	Printer is rebooting

Warning Alert Default Settings

Warning Alert	Status	Delay Repeat	Delay Unit	Message
Ribbon Installed	Disable	1	Occurrences	Warning - Ribbon installed
Media Low	Enable	1	Occurrences	Warning - Media low
Ribbon Low	Enable	1	Occurrences	Warning - Ribbon low
Upgrading Firmware	Disable	1	Occurrences	Warning - Upgrading firmware
Odometer (User Resettable)	Disable	1	Occurrences	Warning - Odometer (User resettable) has reached a preset value.
Odometer (Printer)	Disable	1	Occurrences	Warning - Odometer (Printer) has reached a preset value.
Replace Printhead	Disable	1	Occurrences	Warning - Replace printhead
Clean Printhead	Disable	1	Occurrences	Warning - Clean printhead
Faulty Dot	Disable	1	Occurrences	Warning - Faulty dot is detected

Error Alerts

Error alerts are sent when a condition occurs that prevents the printer from printing, such as running out of media. These alerts include:

- Out of Media
- Out of Ribbon
- Printer in Pause Mode
- Printer in Menu Mode
- Application Break

Appendix A – Specifications and Default Settings

- RFID Not Installed
- Printhead Lifted
- Printhead Not Detected
- Motor Too Hot
- Power Supply Too Hot

Information Alerts

Information alerts are sent when a print job is started or completed, or when the printer is rebooting. These alerts include:

- Print Job Complete
- Printer is Rebooting
- Started (Sent when a print job has begun)

Warning Alerts

Warning alerts are sent when the printer may need attention shortly, such as when the printhead needs maintenance, or when the odometer has reached a present value. A warning alert is also sent when the printer firmware is being upgraded. Warning alerts include:

- Ribbon Installed (Sent when the printer is set for direct thermal printing but has ribbon installed for thermal transfer printing)
- Ribbon Low
- Upgrading Firmware
- Odometer (User Resettable)
- Odometer (Printer)
- Replace Printhead
- Clean Printhead
- Faulty Dot (Sent when a faulty dot is detected in the printhead, which can lead to lower print quality)

Ethernet Settings

This section describes the Ethernet IPv4 and IPv6 settings. To view these settings:

- From the printer Main Menu, select **Settings > Communications > Ethernet**.
- From the printer web page, click the **Configure** tab > **Communications > Ethernet**.

Setting	Description	Default
(IPv4) IP Assignment Method	Specifies how the printer obtains an IP address.	DHCP
(IPv4) IP Address	Specifies the unique network-level address that is assigned to each device in a TCP/IP network (IPv4).	0.0.0.0
Subnet Mask	Specifies a number that defines the range of IP addresses that can be used in a TCP/IP network.	0.0.0.0
Default Router	Specifies the IP address of a router that is used when a device sends a packet to another subnet or to an unknown destination.	0.0.0.0
DHCP Response	Specifies if the printer receives DHCP responses by broadcast or unicast.	Broadcast
(IPv6) IP Assignment Method	Specifies how the printer obtains an IP address (for IPv6 networks).	Automatic
(IPv6) IP Address	Specifies the unique network-level address that is assigned to each device in a TCP/IP network (IPv6).	Automatic

General System Settings

This section describes general system settings. To view these settings:

- From the printer Main Menu, select **Settings > System Settings > General**.
- From the printer web page, click the **Configure** tab > **System Settings > General**.

Setting	Description	Default
System Name	Sets the network identification name (WINS name) of the printer.	Printer model number and serial number. For example, PC43-00000011
System Location	Sets the location of the printer.	Empty string
System Contact	Sets the name of the printer administrator.	Empty string
XML Response Mode	Determines if the printer provides XML responses to printing requests (over Telnet and HTTP).	False
Display Language	(LCD printers only) Selects the language the printer uses to display text on the screen.	English
Display Language (Web Page)	Selects the language the printer uses to display text on the web page.	English
Keyboard Input	Selects the language of the external keyboard that is connected to the printer.	U.S./U.K.
Time	Sets the current time.	System time
AM/PM	Sets AM or PM.	AM
Date	Sets the current date.	System date
Sleep Timer	Selects the amount of time the printer waits before it goes to Sleep mode.	Disable
Command Language	Sets the printer command language. If changed, requires restart.	Fingerprint
Alert Notification Method	Selects how you want the printer to notify you of printer alerts.	SNMP Trap + Email
Unit of Measure	Selects the unit of measure that is used to define several printing parameters.	Dots

Media Settings

This section describes media settings for the printer. To view these settings:

- From the printer Main Menu, select **Settings > Printing > Media**.
- From the printer web page, click the **Configure** tab > **Printing > Media**.

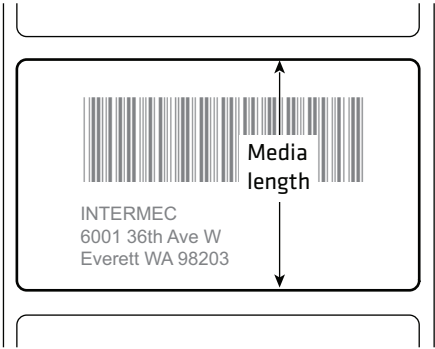
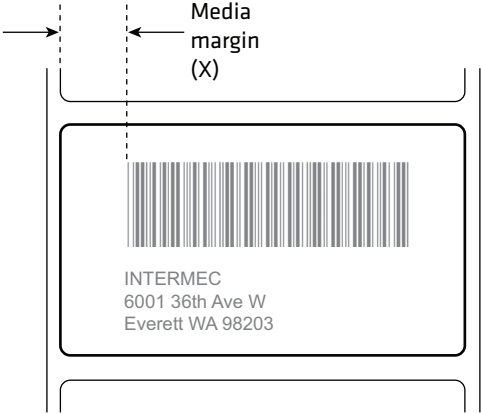


Note: If you are using an icon printer that is not on a network, you need to use PrintSet through a USB connection to configure media settings.

Setting	Description	Default
Media Type	Selects the type of media that is loaded in the printer.	Media With Gaps
Print Method	Selects the method of printing that the printer is using.	Ribbon (TTR) for thermal transfer printers, or No Ribbon (DT) for direct thermal printers
Media Width	Sets the width of the printable area measured from the media margin (X) across the printhead. Unit of measurement is defined in the Unit of Measure parameter.	Variable



Appendix A – Specifications and Default Settings

Setting	Description	Default
Media Length	Sets the length of the printable area measured from one edge of the label to the edge that is closest to the printhead. Unit of measurement is defined in the Unit of Measurement parameter.	Variable
		
Media Margin (X)	Sets the width of the margin from the left edge of the label along the printhead to the edge of the printable area. Unit of measurement is defined in the Unit of Measurement parameter.	Variable
		
Clip Default	Determines if the printer prints items outside the printable area of the label. When this is set to Off, the printer returns an error if any part of a bar code label cannot be printed because that part extends beyond the printable area. When this is set to On, the printer prints all bar code labels, but may also print unreadable, incomplete labels.	Off

Setting	Description	Default
Start Adjust	Sets the length of media the printer feeds (positive value) or retracts (negative value) before printing a label. Unit of measurement is defined in the Unit of Measure parameter. Range is -9999 to +9999.	0
Stop Adjust	Sets the length of media the printer feeds (positive value) or retracts (negative value) after printing a label. Unit of measurement is defined in the Unit of Measure parameter. Range is -9999 to +9999.	0
Media Calibration Mode	Selects the mode the printer uses to calibrate media. Use Slow if the printer has trouble identifying gaps or marks in media.	Fast
Length (Slow Mode)	If Media Calibration Mode is set to Slow, the printer prints the media length plus 10 mm. This value sets an additional amount of media to be printed. Unit of measurement is defined in the Unit of Measurement parameter. Range is 0 to 3200.	0
LTS Sensitivity Level	Sets the sensitivity of the label taken sensor. Range is 0 to 14. Supported when the Cutter or Label Dispenser accessories are installed.	0

Print Quality Settings

This section describes print quality settings. To view these settings:

- From the printer Main Menu, select **Settings > Printing > Print Quality**.
- From the printer web page, click the **Configure** tab > **Printing > Print Quality**.

Setting	Description	Default
Print Speed	Sets how fast the printer prints labels. The unit of measure is defined in the Unit of Measure parameter.	100
Media Sensitivity	Sets the level of sensitivity of the media to the printhead heat for media and ribbon.	Variable
Darkness	Sets the image darkness for media and ribbon. Adjust this parameter with the Media Sensitivity parameter. Range is 1 to 100.	Variable
Contrast	Adjusts the blackness of the printing on the label in 2% increments from -10% to +10%.	+0%

Serial Port Settings

This section describes the serial port settings. To view these settings:

- From the printer Main Menu, select **Settings > Communications > Serial > COM1**.
- From the printer web page, click the **Configure** tab > **Communications > Serial**.



Note: These settings are not accessible unless the printer has a serial connection to a PC.

Setting	Description	Default
Baud Rate	Transmission speed in bits per second (bps) for the serial port.	115200
Data Bits	Number of bits that define a character or byte.	8
Parity	Specifies how the printer checks the integrity of the transmitted data.	None

Setting	Description	Default
Stop Bits	Number of bits sent at the end of every character to allow the receiving signal hardware to detect the end of a character and to resynchronize with the character stream.	1
Hardware	Specifies if hardware flow control (RTS/CTS) is used to manage the rate of data transmission between the device and the host.	Disable
ENQ/ACK	Specifies if software flow control (ENQ/ACK) is used to manage the rate of data transmission between the device and the host.	Disable
XON/XOFF To	Specifies if software flow control (XON/XOFF) is used to manage the rate of data transmission to the host.	Disable
XON/XOFF From	Specifies if software flow control (XON/XOFF) is used to manage the rate of data transmission from the host.	Disable
New Line Character	Defines the characters that the printer echoes to the host to indicate that it has moved to a new line.	CR/LF

System I/O Settings

This section describes system I/O settings for the printer. To view these settings:

- From the printer Main Menu, select **Settings > System Settings > Manage I/O**.
- From the printer web page, click the **Configure** tab > **System Settings > Manage I/O**.

Setting	Description	Default
Wireless 802.11	Determines if the printer is allowed to communicate using its 802.11 radio. Supported only if the optional Wi-Fi+Bluetooth module is installed.	Enable
Bluetooth	Determines if the printer is allowed to communicate using its Bluetooth radio. Supported only if the optional Wi-Fi+Bluetooth module is installed.	Enable
RFID	Determines if the printer is allowed to communicate using its RFID radio. Supported only if the RFID module is installed.	Enable
Virtual COM	Determines if you can enable the USB port to be used as a virtual serial port.	Disable

System Network Services

This section lists the network services you can manage from the printer. You will only see **Manage Services** from the menus if you have an Ethernet or Wireless module installed in the printer. To view these services:

- From the printer Main Menu, select **Settings > System Settings > Manage Services**.
- From the printer web page, click the **Configure** tab > **System Settings > Manage Services**.

Service	Description	Default
Web Server	Determines if the web server is enabled in the printer.	Enable
FTP	Determines if the printer can use File Transfer Protocol (FTP).	Enable
Avalanche	Determines if the printer can be managed by Wavelink Avalanche.	Enable
Net1	Determines if the printer can use Telnet to communicate with Fingerprint.	Enable
SmartSystems	Determines if the printer can be managed by Intermec SmartSystems Foundation.	Enable
SNMP	Determines if the printer can use SNMP.	Enable
LPR	Determines if the printer can use the line printer server (LPR) daemon.	Enable
IKEv2	Determines if the printer can use IKEv2.	Disable
SSH	Determines if the printer can use Secure Socket Handling (SSH).	Enable
Telnet	Determines if the printer can use Telnet.	Enable

System Maintenance Alert Settings

This section describes the system maintenance alert settings, such as the odometer distance. To view these settings:

- From the printer Main Menu, select **Settings > System Settings > Maintenance Alerts**.
- From the printer web page, click the **Configure** tab > **System Settings > Maintenance Alerts**.

Setting	Description	Default
Odometer (User Resettable)	Sets the length of media (in meters) that the printer prints before the Odometer (User Resettable) alert is sent, if this alert is configured. Unit of measurement is defined in the Unit of Measure parameter. Range is 0 to 4294967295.	0
Odometer (Printer)	Sets the length of media (in meters) that the printer prints before the Odometer (Printer) alert is sent. Unit of measurement is defined in the Unit of Measure parameter. Range is 0 to 4294967295.	0
Replace Printhead	Sets the length of media (in meters) that the printer prints before the Replace Printhead alert is sent, if this alert is configured. Unit of measurement is defined in the Unit of Measure parameter. Range is 0 to 4294967295.	0
Clean Printhead	Sets the length of media (in meters) that the printer prints before the Clean Printhead alert is sent, if this alert is configured. Unit of measurement is defined in the Unit of Measure parameter. Range is 0 to 4294967295.	0
Faulty Dot	Sets the number of faulty dots on the printhead before the Faulty Dot alert is sent, if this alert is configured. Range is 0 to 4294967295.	0
Ribbon Low Diameter	Sets the minimum diameter of the ribbon roll before the Ribbon Low alert is sent, if this alert is configured. Range is 0 to 200 mm.	0

Wireless 802.11 General Settings

This section describes the 802.11 general settings. To view these settings:

- From the printer Main Menu, select **Settings > Communications > Wireless 802.11 > General**.
- From the printer web page, click the **Configure** tab > **Communications > Wireless 802.11**.

Setting	Description	Default
Network Name (SSID)	Defines the wireless network. To communicate, all access points and wireless devices must have the same network name, which is case-sensitive.	INTERMEC
Network Type	Selects the radio behavior of the printer. Ad Hoc mode allows the printer to communicate directly with another printer. Infrastructure mode allows the printer to communicate through an access point.	Infrastructure
Roaming	Controls the roaming inclination of the printer. The higher the level, the less inclined the printer is to switch access points based on the printer received signal strength (RSSI).	Off
Power Mode	Select the power management setting for the radio. Constant Awake provides the highest throughput but draws the most power. Power Saving conserves the most power but provides the lowest throughput. Fast Power Saving turns off components when they are not being used to draw less current.	Constant Awake
Channel	Sets the common channel that radios in Ad Hoc mode use to transfer data. Range is 1 to 14.	1
Hidden SSID	Determines if the radio is allowed to look for SSIDs that have been hidden to prevent unauthorized devices from connecting to the wireless network.	Disable

Wireless 802.11 Network Settings

This section describes the 802.11 IPv4 and IPv6 settings. To view these settings:

- From the printer Main Menu, select **Settings > Communications > Wireless 802.11 > Network > IPv4 or IPv6**.
- From the printer web page, click the **Configure** tab > **Communications > Wireless 802.11**.

Setting	Description	Default
(IPv4) IP Assignment Method	Sets how the printer obtains an IP address (for IPv4 networks).	DHCP
(IPv4) IP Address	Sets the unique network-level address that is assigned to each device in an IPv4 network.	0.0.0.0
Subnet Mask	Sets a number that defines the range of IP addresses that can be used in an IPv4 network.	0.0.0.0
Default Router	Sets the IP address of a router that is used when a device sends a packet to another subnet or to an unknown destination.	0.0.0.0
DHCP Response	Sets if the printer receives DHCP responses by broadcast or unicast.	Broadcast
(IPv6) IP Assignment Method	Sets how the printer obtains an IP address (for IPv6 networks).	Automatic
(IPv6) IP Address	Sets the unique network-level address that is assigned to each device in an IPv6 network.	Automatic

Wireless 802.11 Security Settings

This section describes the 802.11 security settings. To view these settings:

- From the printer Main Menu, select **Settings > Communications > Wireless 802.11 > Security**.
- From the printer web page, click the **Configure** tab > **Communications > Wireless 802.11**.

Setting	Description	Default
Security Type	Selects the protocol the radio uses to verify its identity and makes sure that it is authorized to communicate on the wireless network.	None
Association	Selects the security method that the radio uses to get access to the wireless network.	Open/WEP
Pre-Shared Key	Defines the passphrase that allows the radio to authenticate over the wireless network (for both WPA and WPA2 security). Range is 8 to 64 characters.	None
Network Key Index	Selects the active network key to use for WEP security. Range is 1 to 4.	1
Network Key 1, Network Key 2, Network Key 3, Network Key 4	Defines a network key that is used for WEP security. Keys are entered in ASCII or hexadecimal (preceded by 0x) format.	Empty string
User Name	Sets the name that the printer uses when logging in to the network. Range is 1 to 96 characters.	None
Password	Sets the password that the printer uses when logging in to the network. Range is 1 to 96 characters.	None
Anonymous Name	Sets the outer EAP user name that the printer uses for logging in to the network. Maximum length is 96 characters.	Empty string
Inner Authentication	Selects the authentication method that is used when the EAP type is EAP-FAST, PEAP, or TTLS.	MSCHAPv2
CA Certificate	Sets the name of the Certificate Authority (CA) that verifies the server certificate. This CA should be the same one that was used to sign the server certificate.	intermec.pem
Client Certificate	Sets the name of the client certificate the printer uses to authenticate to the network using EAP-TLS. Maximum length is 128 characters.	None

Setting	Description	Default
Client Key	Sets the private key the printer uses for EAP-TLS. Maximum length is 128 characters. Use the certinstall.sh script to install the certificate correctly.	None
Server Common Name 1	Sets the certificate name that is on the primary authentication server. If this value is none, then the value for Server Common Name 2 is used. Range is 1 to 96 characters.	None
Server Common Name 2	Sets the certificate name that is on the secondary authentication server. If this value is none, then the value for Server Common Name 1 is used. Range is 1 to 96 characters.	None
Validate Certificate	Determines if the identity of the authentication server is verified using its certificate when using EAP-TTLS, PEAP, or EAP-TLS. Intermec recommends that you set Validate Certificate to Yes .	No
PAC	Sets the name of the Protected Access Credential (PAC) that is used for EAP-FAST authentication. The printer uses this file if Acquire PAC is on and the current installed PAC fails to authenticate the printer to the network.	eap-fast.pac
Acquire PAC	Determines if automatic PAC file provisioning is on for EAP-FAST authentication.	On
Fast Roaming (CCKM)	Determines if the printer can roam from one access point to another without reauthenticating with the server. CCKM only works in wireless networks using LEAP.	Disable
Mixed Mode (Group=TKIP)	Determines if the printer can use either TKIP or AES for data encryption, depending on the configuration of the access point.	Disable

B

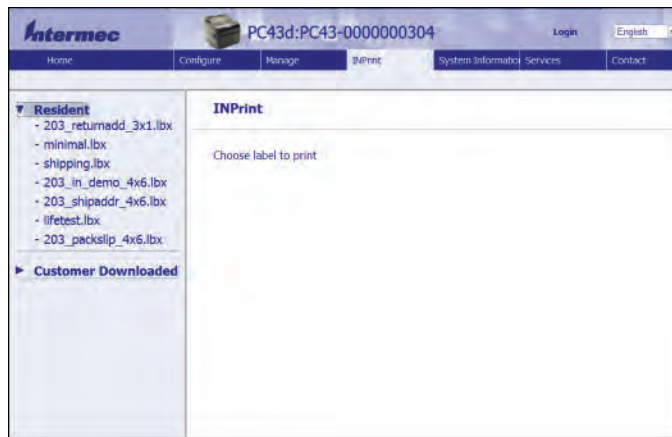
Print Labels with INPrint

This section explains how to use the INPrint feature to print labels.

About the INPrint Page

The INPrint page features sample web forms you can use to quickly and easily print single labels if you are using the Fingerprint or Direct Protocol language on your printer. You select a web form from the lists and enter information in the fields for that label. You can then preview and print the label.

The printer firmware includes several predefined label formats. You can also copy your own label formats to the printer and print them from this page.

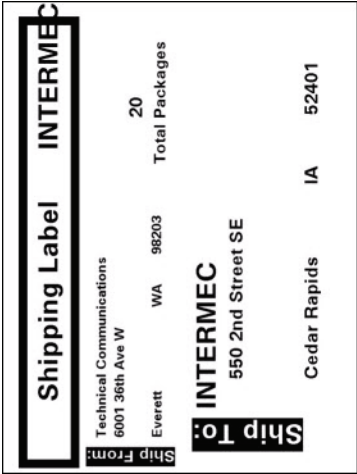



Predefined INPrint Label Formats

Predefined INPrint Label Formats and Sample Illustrations

Format Name	Sample
203_returnadd_3x1.lbx	<div style="border: 1px solid black; padding: 5px; width: fit-content;"> <p>INTERMEC 8001 38th Ave W Everett WA USA 98203</p> </div>
minimal.lbx	<div style="border: 1px solid black; padding: 5px; width: fit-content;"> <p>INTERMEC</p> </div>

Predefined INPrint Label Formats and Sample Illustrations

Format Name	Sample
shipping.lbx	 <p>A shipping label with a vertical header on the left that reads "Shipping Label INTERMEC". The main body contains the following text: "Technical Communications", "6001 36th Ave W", "Everett WA 98203", "20 Total Packages", "INTERMEC", "550 2nd Street SE", "Cedar Rapids IA 52401". At the bottom, it says "Ship To:".</p>
203_in_demo_4x6.lbx	 <p>A 4x6 label with a complex layout. It features a "LADDER FIELD" with a barcode, a central "INTERMEC PRINTERS" section with a barcode, and a "PICKET FIELD" at the bottom with a barcode. Text includes "INTERMEC TECHNOLOGIES", "CUST. SERVICE: 800-795-5805", "www.intermec.com", "Intermec: 425-548-2500", and "custhelp@intermec.com". A QR code is located in the bottom right corner.</p>

Predefined INPrint Label Formats and Sample Illustrations

Format Name	Sample
203_shipaddr_4x6.lbx	
lifetest.lbx	

Predefined INPrint Label Formats and Sample Illustrations

Format Name	Sample																								
203_packslip_4x6.lbx	<table border="1"><tr><td>INTERMEC 6001 36th Ave W Everett WA USA 98203 Phone: 425-348-2600</td><td>PACKING SLIP</td></tr><tr><td>ORDER NO: 1000</td><td>SHIP DATE: 1-Feb-2012</td></tr><tr><td>Item No.</td><td>Description</td><td>Order Qty</td><td>Pick Qty</td></tr><tr><td>PC23d</td><td></td><td>100</td><td>100</td></tr><tr><td>PC43d</td><td></td><td>250</td><td>250</td></tr><tr><td>PC43t</td><td></td><td>500</td><td>500</td></tr><tr><td colspan="4"><hr/>TOTALS:<hr/></td></tr></table>	INTERMEC 6001 36th Ave W Everett WA USA 98203 Phone: 425-348-2600	PACKING SLIP	ORDER NO: 1000	SHIP DATE: 1-Feb-2012	Item No.	Description	Order Qty	Pick Qty	PC23d		100	100	PC43d		250	250	PC43t		500	500	<hr/> TOTALS: <hr/>			
INTERMEC 6001 36th Ave W Everett WA USA 98203 Phone: 425-348-2600	PACKING SLIP																								
ORDER NO: 1000	SHIP DATE: 1-Feb-2012																								
Item No.	Description	Order Qty	Pick Qty																						
PC23d		100	100																						
PC43d		250	250																						
PC43t		500	500																						
<hr/> TOTALS: <hr/>																									

Linux Copyright Information

This software is provided in pertinent parts by the following copyright holders:

Copyright or License Text	Link to Source Code
BlueZ - Bluetooth protocol stack for Linux	http://www.bluez.org
LPRng, IFHP, and LPRng Tool License	http://www.lprng.com
psplash - a lightweight framebuffer splashscreen for embedded devices	http://git.yoctoproject.org/cgit/cgit.cgi/psplash
udhop DHCP client	http://busybox.net/products.html
Copyright © 1997 Warren W. Gay VE3WWG	http://sourceforge.net/projects/wavplay/
EINA-EFL data type library, Copyright © 2008 Cedric Bail	http://www.enlightenment.org
Copyright © 2008 Christian Kellner, Samuel Cormier-Iijima	http://www.gtk.org
Copyright © 2001, 2002 Brian Stafford <brian@stafford.uk.linux.net>	http://www.stafford.uklinux.net/libesntp/
Copyright © 1996 Markus Franz Xaver, Johannes Oberhumer	http://www.oberhumer.com/opensource/lzo/
Copyright © 2002 Nicolas Pitre Copyright © 2003 Texas Instruments, Inc. Copyright © 2003 Chris Larson. Copyright © 2004 Michael Opdenacker <michaelo@handhelds.org> Original version: Copyright © 2001 Russell King.	http://tslib.berlios.de/
Mono compilers and tools. Copyright © 2001, 2002, 2003, Ximian and contributors.	http://www.mono-project.com/Main_Page
Copyright (C) 2003 WIDE Project.	https://fedorahosted.org/dhcpv6/
Copyright (c) 2002-2008 Matt Johnston Portions copyright (c) 2004 Mihnea Stoenescu	https://matt.ucc.asn.au/dropbear/dropbear.html
Copyright (c) 2004, Jan Kneschke, incremental	http://www.lighttpd.org/
Copyright (C) 1994-2008 Lua.org, PUC- Rio.	http://www.lua.org/

Copyright or License Text	Link to Source Code
Copyright (C) 2004, 2005 WIDE Project.	http://www.racoon2.wide.ad.jp/w/
Copyright (C) 1995, 1996, 1997, 1998, and 1999 WIDE Project.	http://ipsec-tools.sourceforge.net/
Copyright 1989, 1991, 1992 by Carnegie Mellon University Derivative Work - 1996, 1998-2000 Copyright 1996, 1998-2000 The Regents of the University of California Copyright (c) 2001-2003, Networks Associates Technology, Inc Portions of this code are copyright (c) 2001-2003, Cambridge Broadband Ltd. Copyright © 2003 Sun Microsystems, Inc., 4150 Network Circle, Santa Clara, California 95054, U.S.A. Copyright (c) 2003-2010, Sparta, Inc	http://www.net-snmp.org/
Copyright (C) 2000-2011 Carsten Haitzler and various contributors Copyright (c) 1999 - Carsten Haitzler (The Rasterman)	http://www.enlightenment.org/
Copyright (c) 2001, 2002, 2003, 2004, 2005, 2006 Expat maintainers.	http://www.libexpat.org/
Copyright 2009 Intermec Technologies Corp. All rights reserved. Based on code from Frank Da Cruz's excellent book, <i>_Kermit: A File Transfer Protocol_</i> , Digital Press, 1986.	http://www.columbia.edu/kermit/
Copyright (c) 1997 Eric S. Raymond	http://giflib.sourceforge.net/
Copyright (C) 1991-1998, Thomas G. Lane.	http://www.ijg.org/
Copyright 2006 Richard Wilson <richard.wilson@netsurf-browser.org> Copyright 2008 Sean Fox <dyntryx@gmail.com>	http://www.netsurf-browser.org/projects/libnsbmp/
Copyright (c) 1998-2009 Glenn Randers-Pehrson	http://www.libpng.org/pub/png/libpng.html

Copyright or License Text	Link to Source Code
Copyright (c) 1998-2007 The OpenSSL Project.	http://www.openssl.org/
(C) 1995-2004 Jean-loup Gailly and Mark Adler	http://zlib.net/
Copyright (c) 2003-2009, Jouni Malinen <j@w1.fi> and contributors	

This software is provided by all copyright holders “as is” and any express or implied warranties, including, but not limited to, the implied warranties of merchantability and fitness for a particular purpose are disclaimed. In no event shall any copyright holder or contributors be liable for any direct, indirect, incidental, special, exemplary, or consequential damages (including, but not limited to, procurement of substitute goods or services; loss of use, data, or profits; or business interruption) however caused and on any theory of liability, whether in contract, strict liability, or tort (including negligence or otherwise) arising in any way out of the use of this software, even if advised of the possibility of such damage.



Worldwide Headquarters
6001 36th Avenue West
Everett, Washington 98203
U.S.A.

tel 425.348.2600

fax 425.355.9551

www.intermec.com

© 2012 Intermec Technologies
Corporation. All rights reserved.

PC23 and PC43 Desktop Printer User Manual



P/N 935-044-001