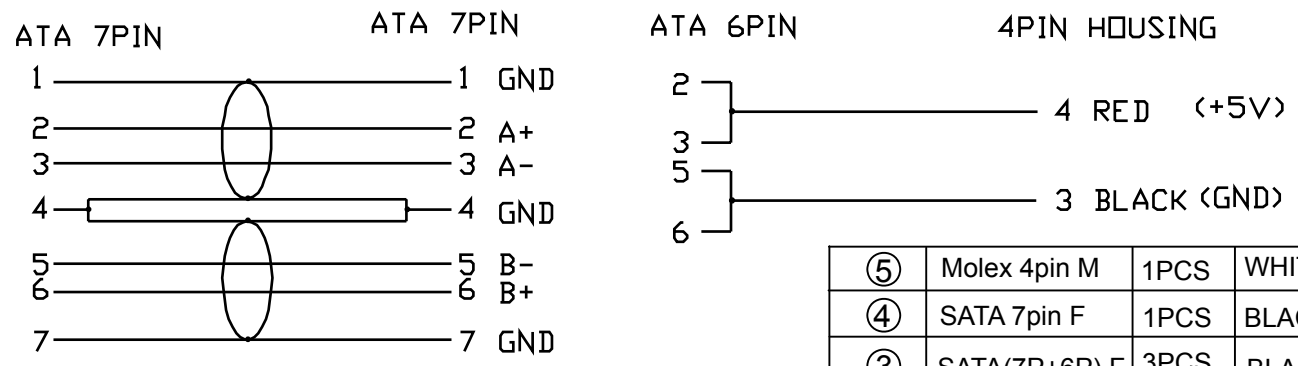


CONFIGURATION:



NOTES:
 1. TESTING: 100% OPEN AND SHORT TEST
 2. ALL MATERIAL BE ROHS COMPLIANT

⑤	Molex 4pin M	1PCS	WHITE PVC
④	SATA 7pin F	1PCS	BLACK PVC
③	SATA(7P+6P) F	3PCS	BLACK PVC
②	CABLE	1PCS	[(26AWG*1P+AL)*2+3P]*1F OD:8.3*2.3mm RED PVC
①	CABLE	2PCS	18AWG OD:2.1mm
NO.	PARTS NAME	Q'TY	SPECIFICATION

APPROVED	CHECKED	DRAWN	ITEM NO.	SATA-11
			DRAW NO.	
			UNIT	mm
			SCALE	NONE

DESCRIPTION:
 SATA(7P+6P) F-----7pin F&4pin M

