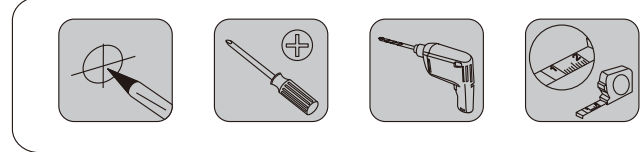
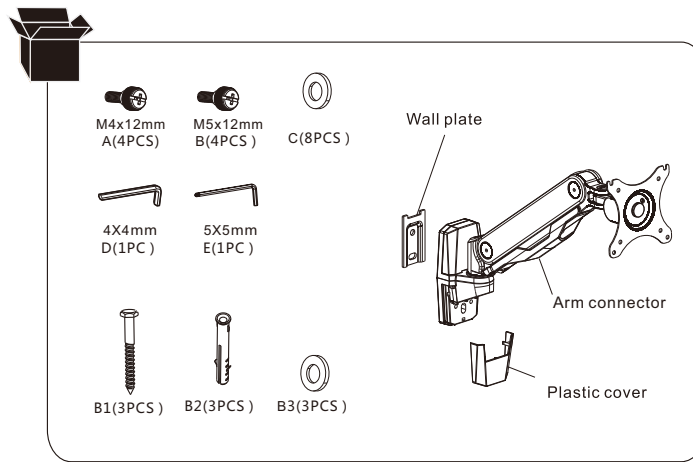
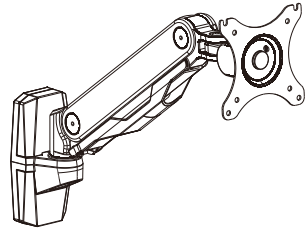
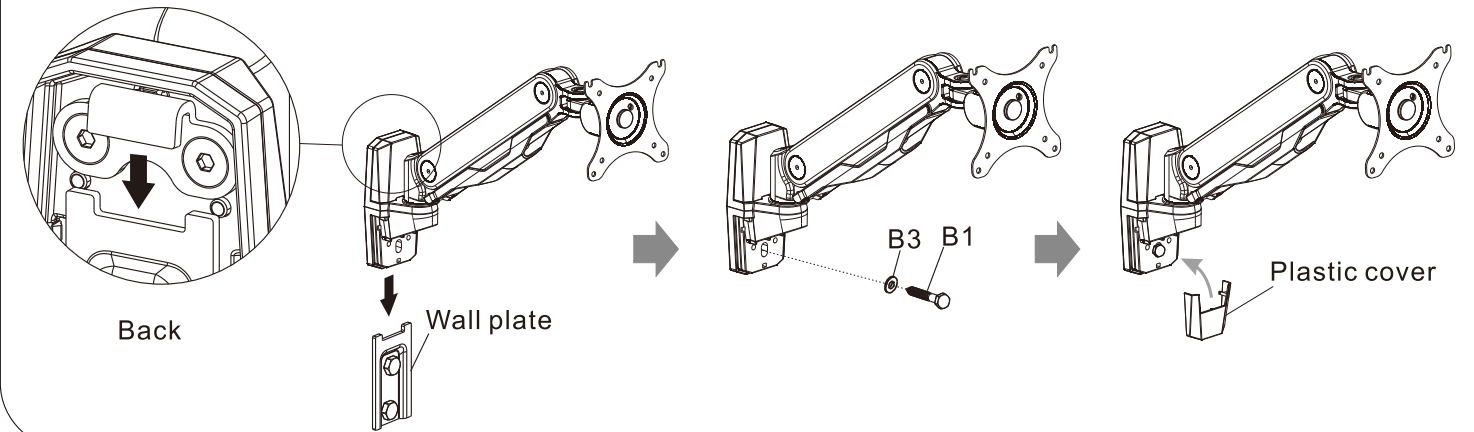


Item No.:DUS531W  
DUS531B

Installation guide

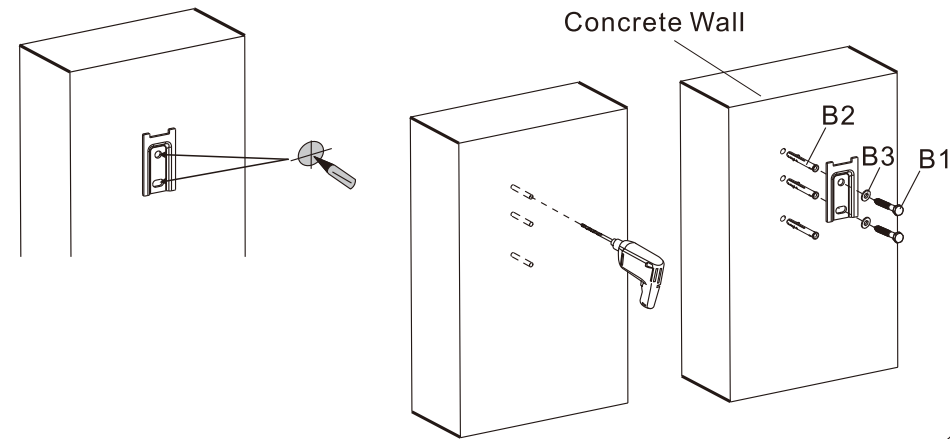
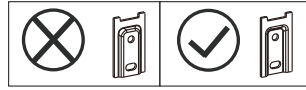
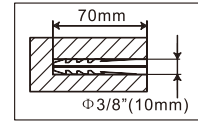


**STEP2**



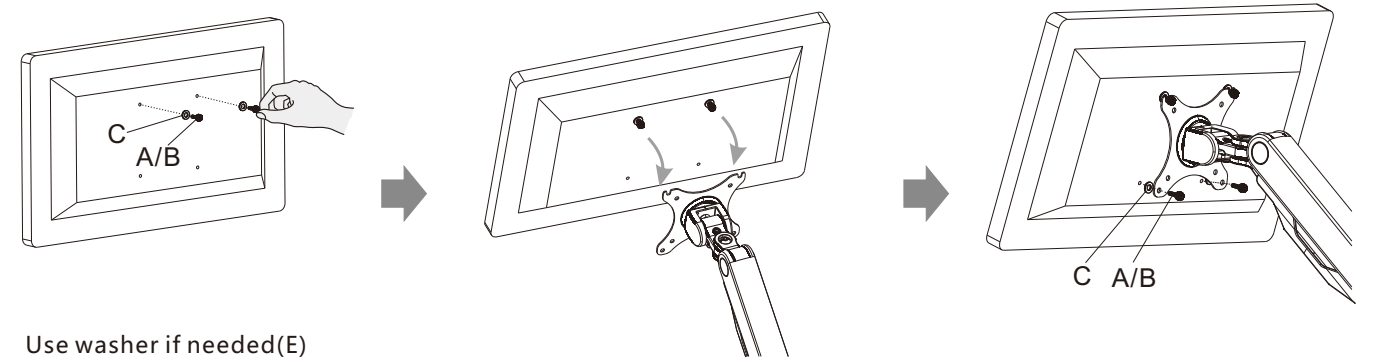
**STEP1-A**

<b>EN</b>	Solid concrete mounting
<b>FR</b>	Montage
<b>GE</b>	Befestigung an stabilen Betonwänden
<b>SP</b>	Montaje en pared de hormigón
<b>PT</b>	Montagem de concreto sólido
<b>AR</b>	تركيب على حائط
<b>IT</b>	montaggio su solido calcestruzzo
<b>JP</b>	コンクリート壁の組み立て
<b>RU</b>	Монтаж на бетонную поверхность
<b>CH</b>	实心混凝土墙的安装



**STEP3**

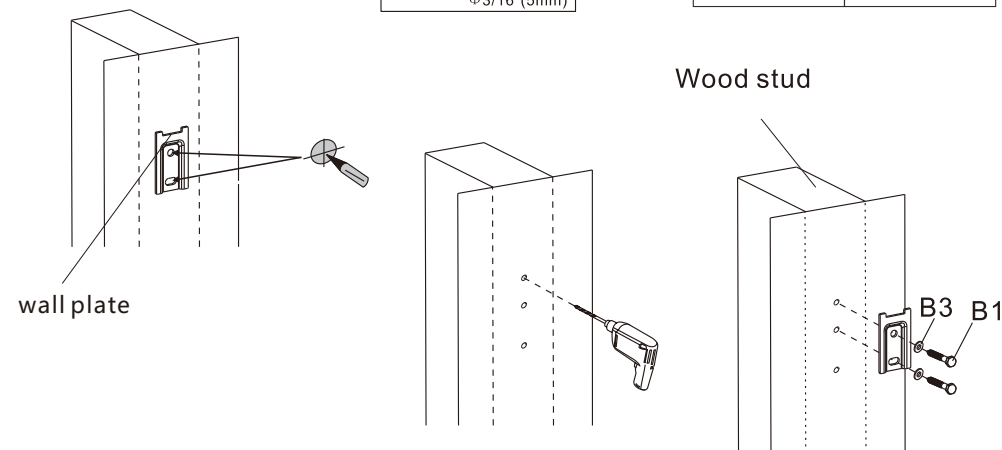
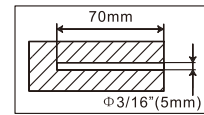
Install the monitor to the plate



Use washer if needed(E)

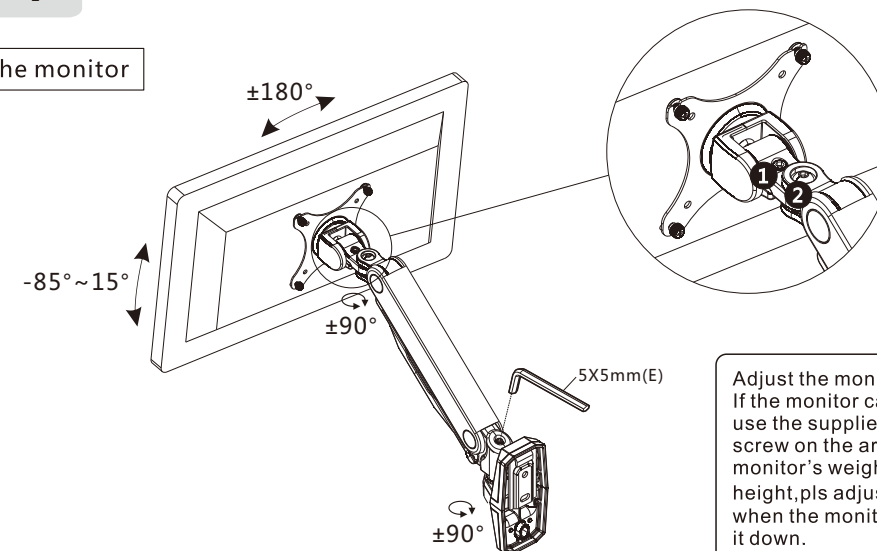
**STEP1-B**

<b>EN</b>	Wood Stud Mounting
<b>FR</b>	Montage de goujon en bois
<b>GE</b>	Befestigung an Holzträgern
<b>SP</b>	Montaje en viga de madera
<b>PT</b>	Montagem de viga de madeira
<b>AR</b>	تركيب على لوح خشبي
<b>IT</b>	studio di montaggio su legno
<b>JP</b>	木質壁の組み立て
<b>RU</b>	Монтаж на деревянный массив
<b>CH</b>	木质墙柱的安装



**STEP4**

Adjust the monitor



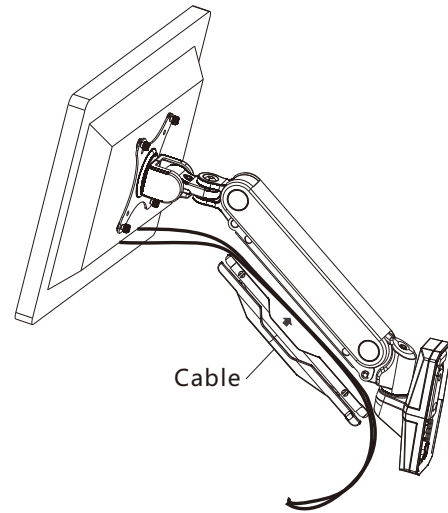
**CAUTION**

To adjust the swivel function with 5x5 allen key (E) on position 1  
To adjust the tilt function with M6 box wrench(E) on position 2

Adjust the monitor's height after installing. If the monitor cannot stop at any height, pls use the supplied 5x5 allen key to adjust the screw on the arm. To make the mount and monitor's weight equal and it can stop at any height, pls adjust the screw in "-" direction when the monitor up and "+" direction when it down.

## STEP 5

Using cord management



### CAUTION

This product contains small items that could be a choking hazard if swallowed. Keep these items away from young children.

- Make Sure these instructions are read and completely understood before attempting installation. If you are unsure of any part of this installation, please contact a professional installer for assistance.
- The desk or mounting surface must be capable of supporting the combined weight of the mount and the display, otherwise the structure must be reinforced.
- Safety gear and proper tools must be used. A minimum of two people are required for this installation. Failure to use safety gear can result in property damage, serious injury or death.
- please check joint parts every two months, making sure the screws are loosened or not.

This product was designed to be installed on desk. Before installing, make sure the mount will support the combined load of the equipment and hardware. Never exceed the maximum load capacity 9 KG, or else it may result in product failure or personal injury.

Note: this product is intended for indoor use only. Use of this product outdoors could lead to product failure or personal injury.

**Warning:** This product contains high pressure gas spring parts, please do not put it into fire, high temperature, or disassemble it, which will lead to unexpected personal injury. The obsolete products can be sent back to the manufacturer or handed over to professional institutions.

To ensure the sealing performance of the gas spring, it is suggested to have complete adjustment to the upper arm (with spring) one time or several times every month.