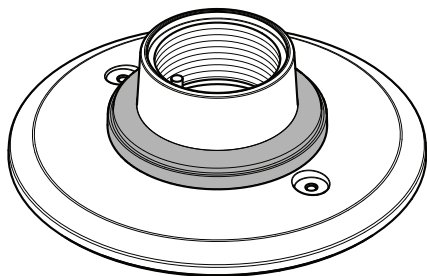


AXIS T94T01D Pendant Kit

Installation Guide

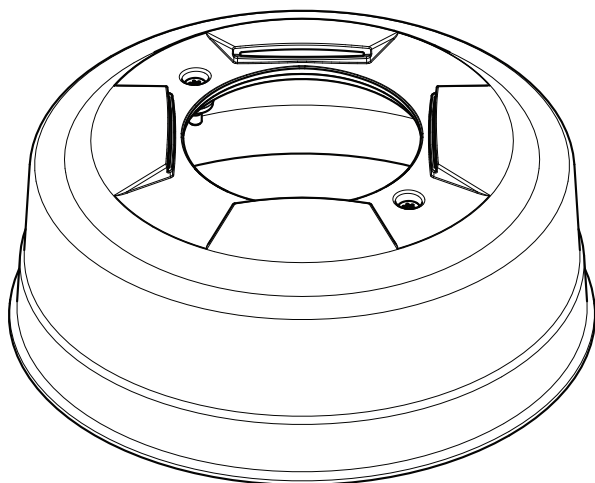
AXIS T94T01D Pendant Kit



1x

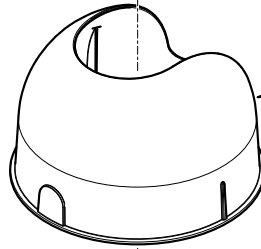
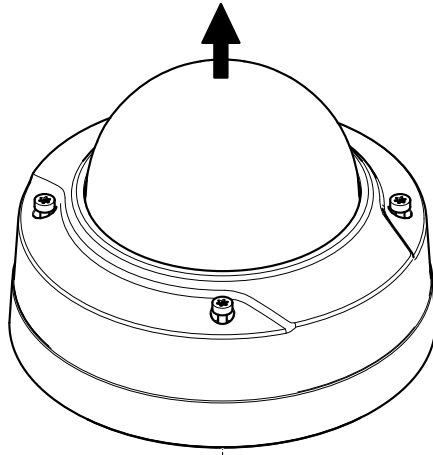
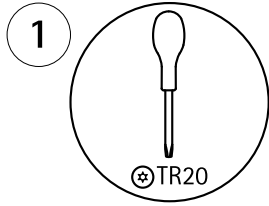


2x

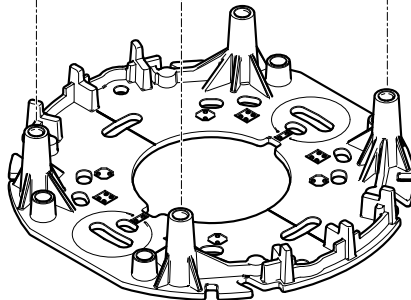
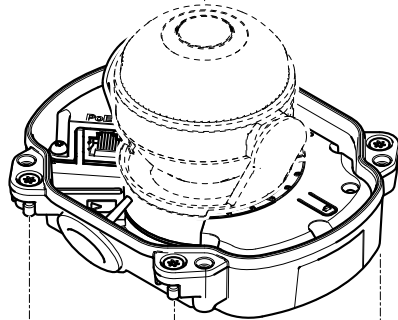


1x

AXIS T94T01D Pendant Kit

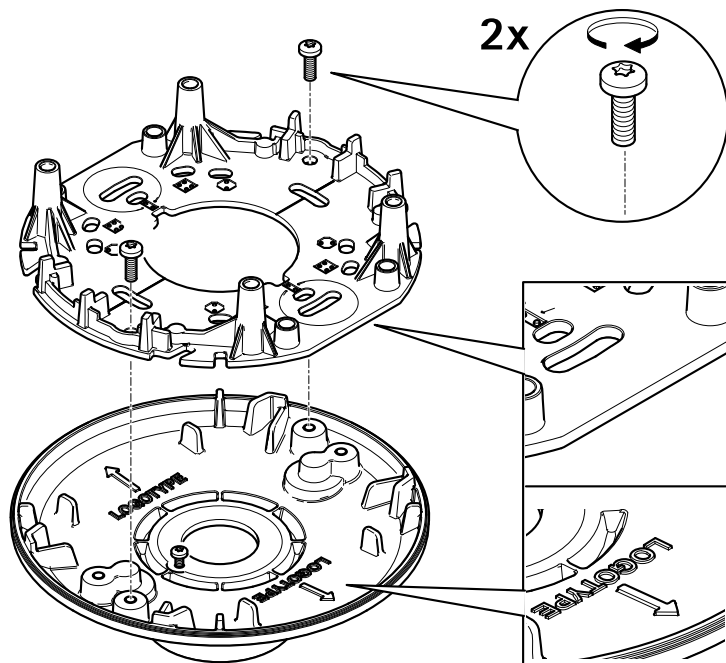


AXIS P3214-VE
AXIS P3215-VE

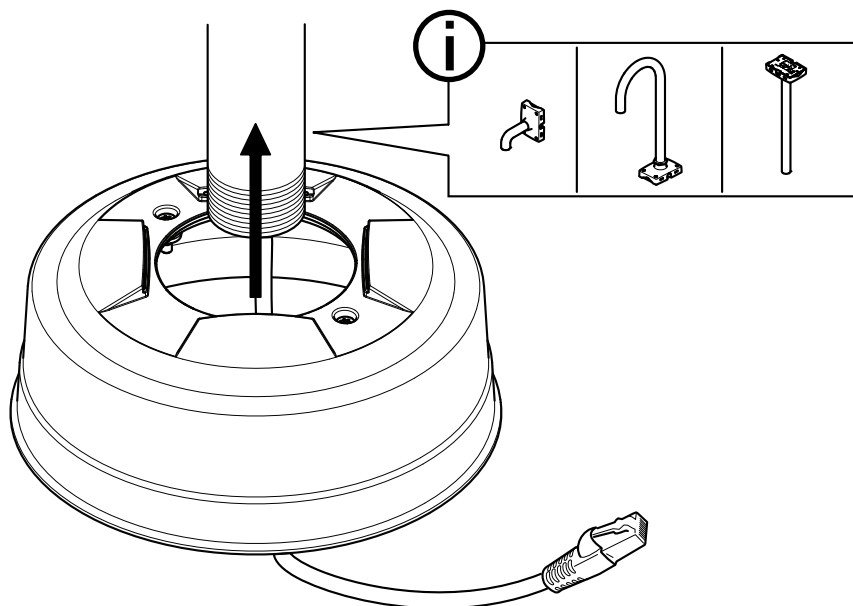


AXIS T94T01D Pendant Kit

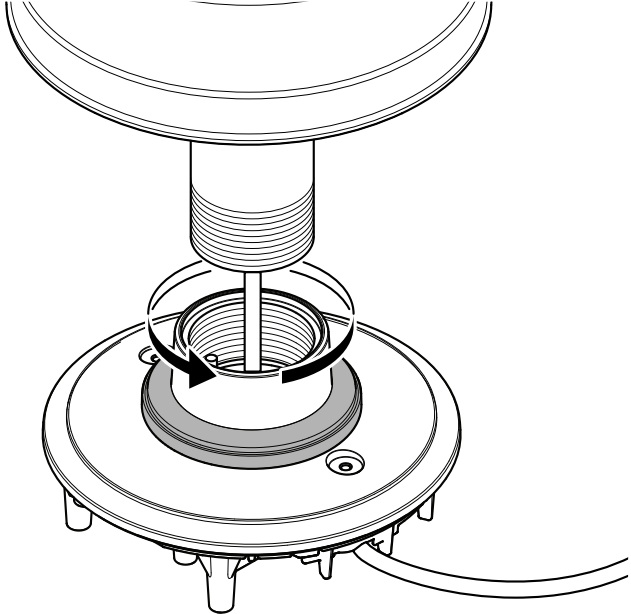
2



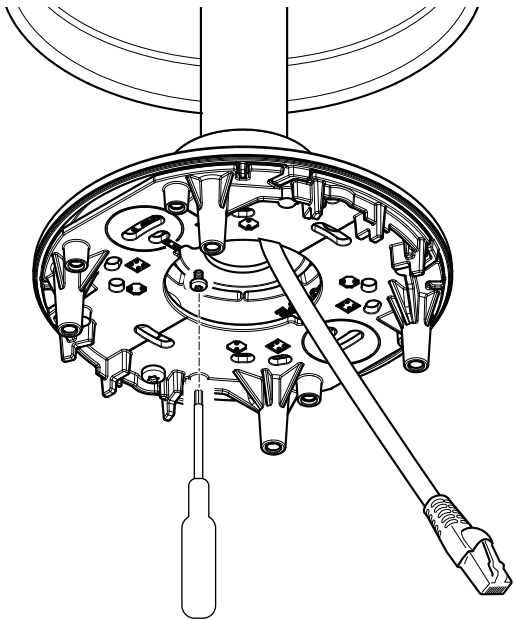
3



4

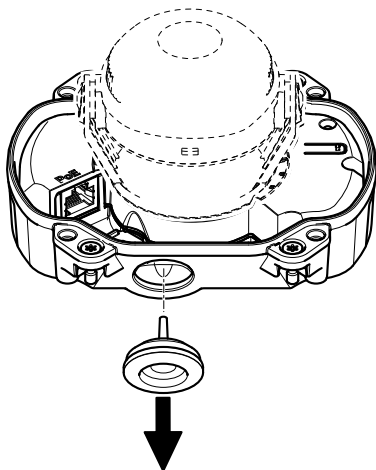


5

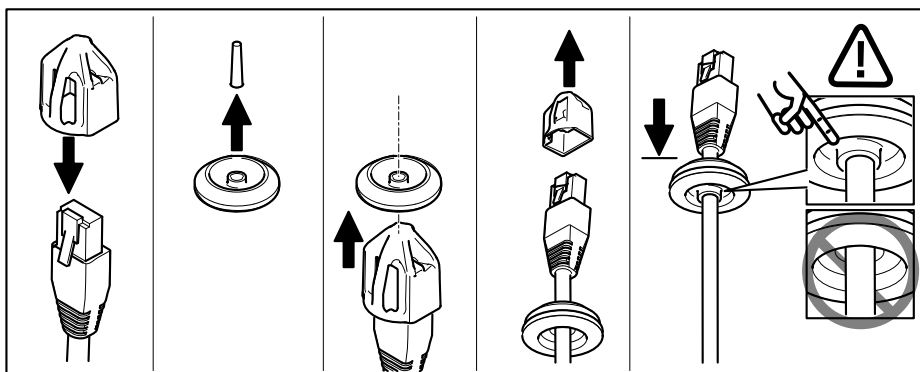


AXIS T94T01D Pendant Kit

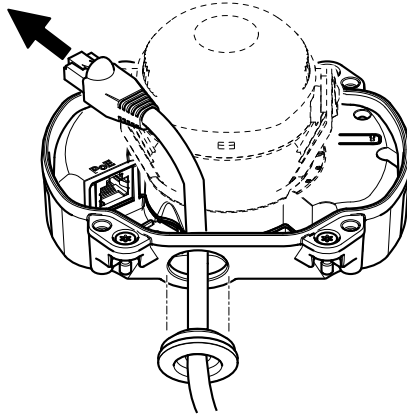
6



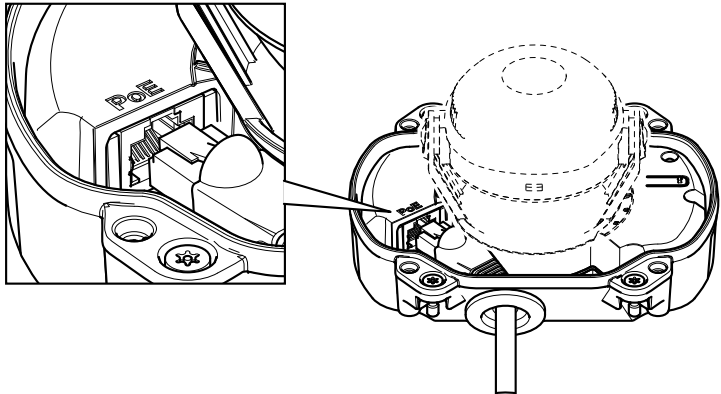
7



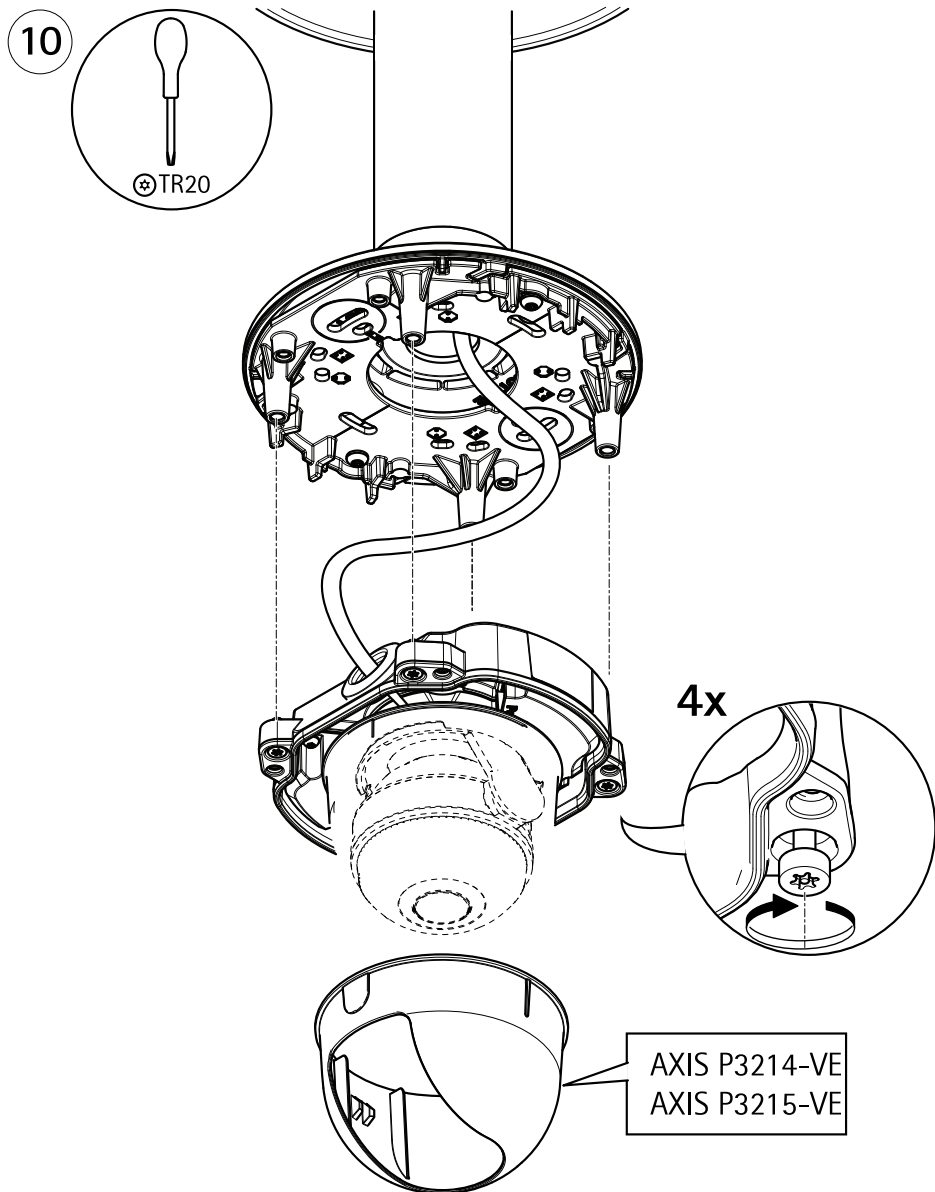
8



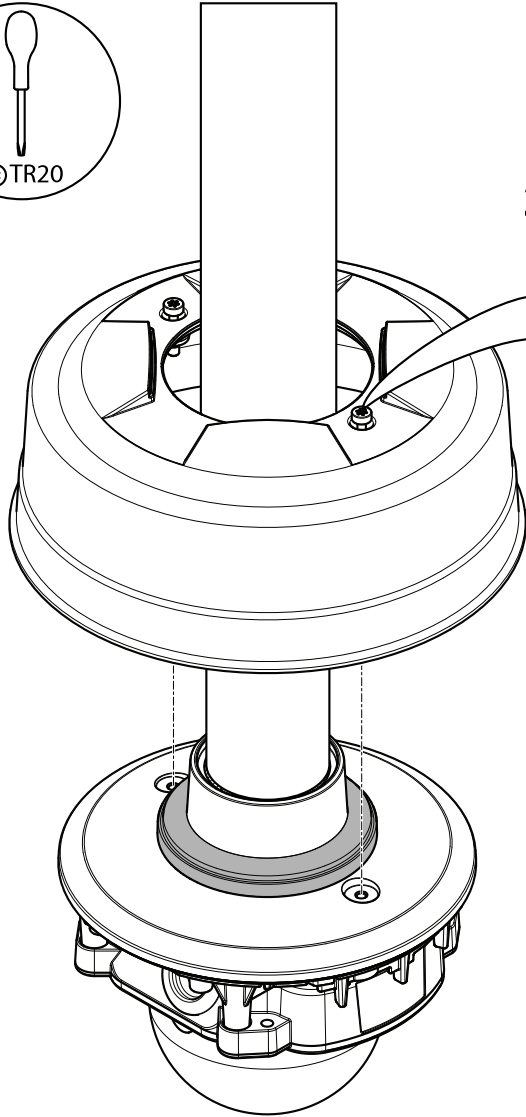
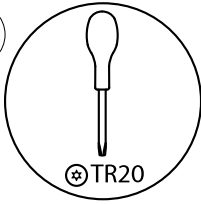
9



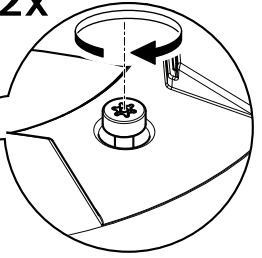
AXIS T94T01D Pendant Kit



11

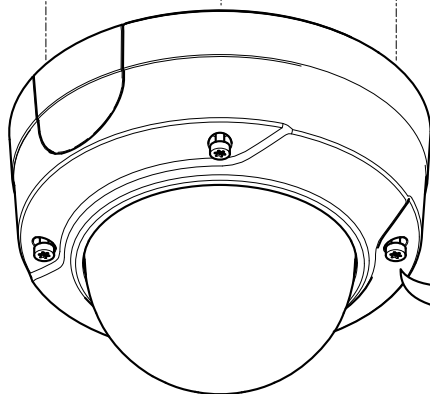
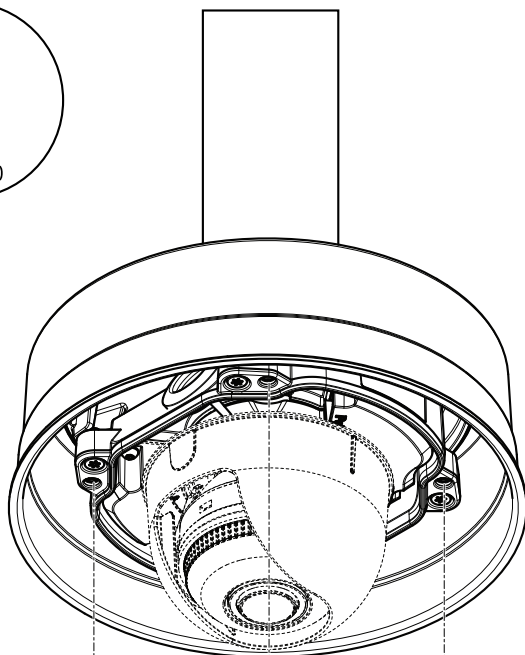
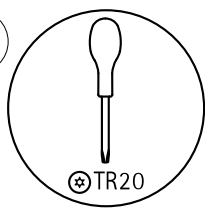


2x

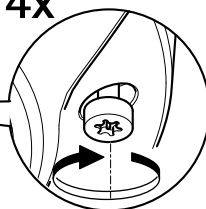


AXIS T94T01D Pendant Kit

12



4x



1.5 Nm
(1.1 lb ft)

Installation Guide

AXIS T94T01D Pendant Kit

© Axis Communications AB, 2015 - 2016

Ver. M3.2

Date: November 2016

Part No. 1684884