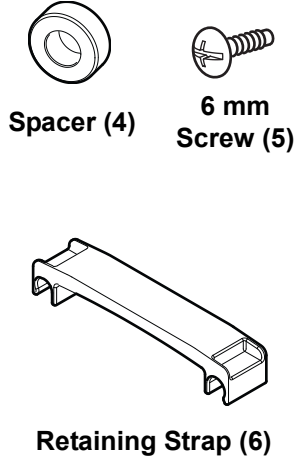
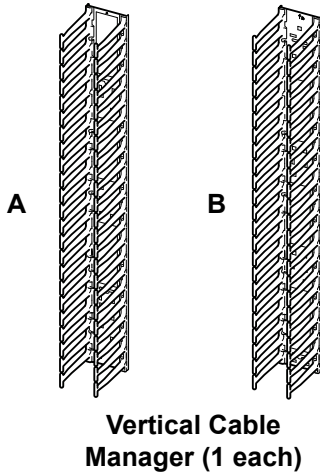


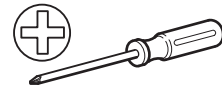
Vertical Cable Manager for NetShelter™ SX 750 mm 48U Cabinet

AR7588

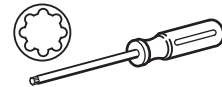
Inventory



**Tools required
(not provided)**



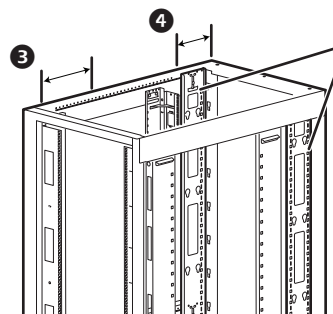
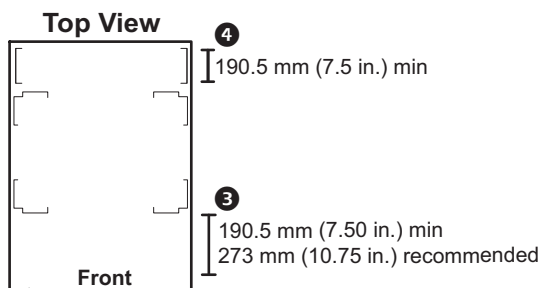
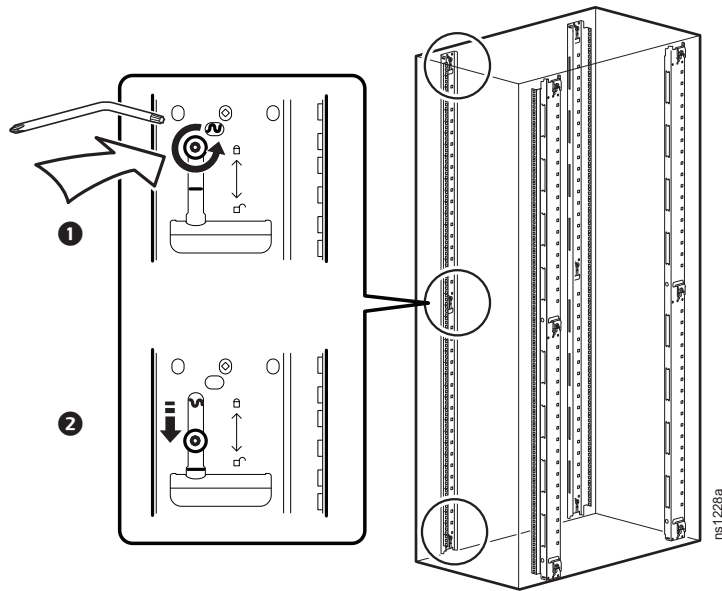
Phillips Screwdriver



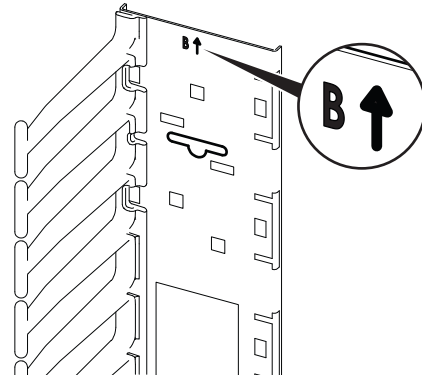
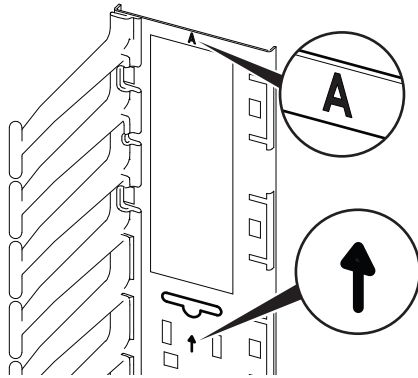
TORX® T30/#2

NOTE: For use with AR3157 and AR3357.

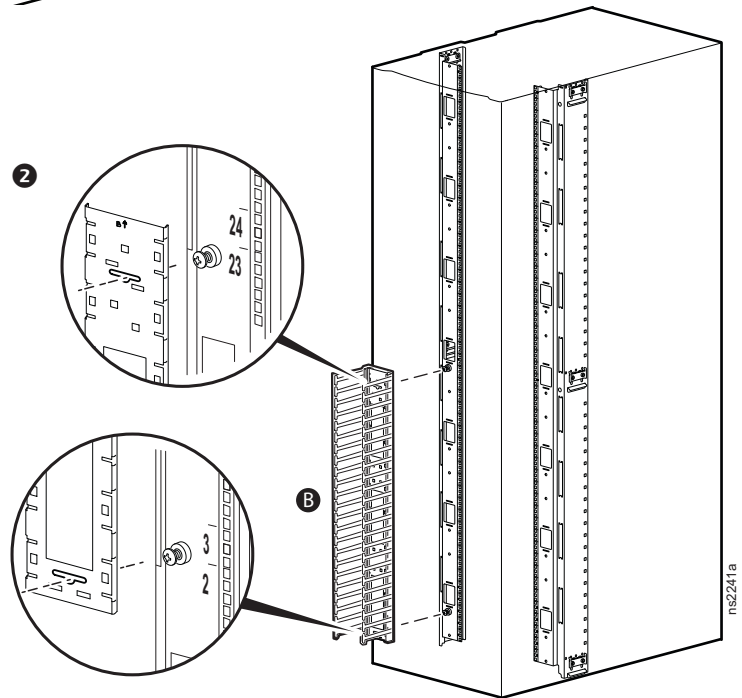
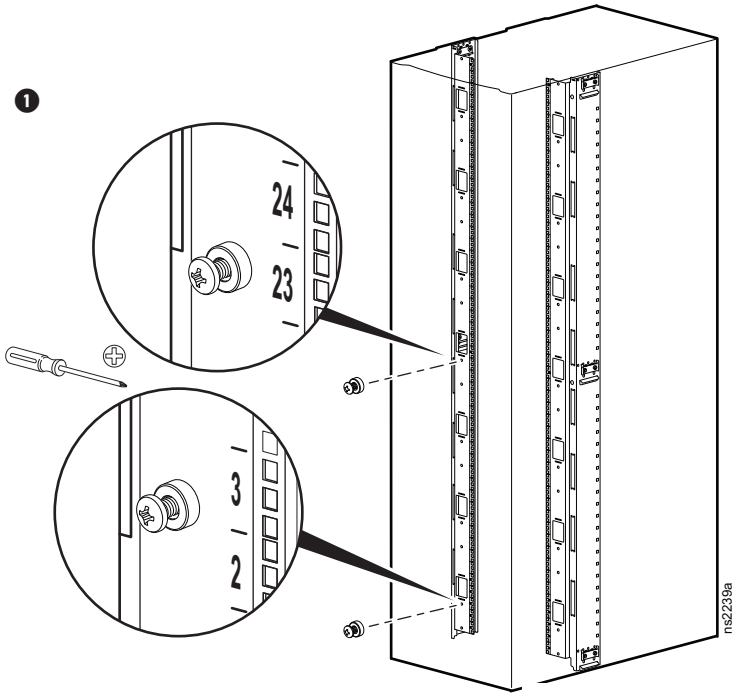
Preparation

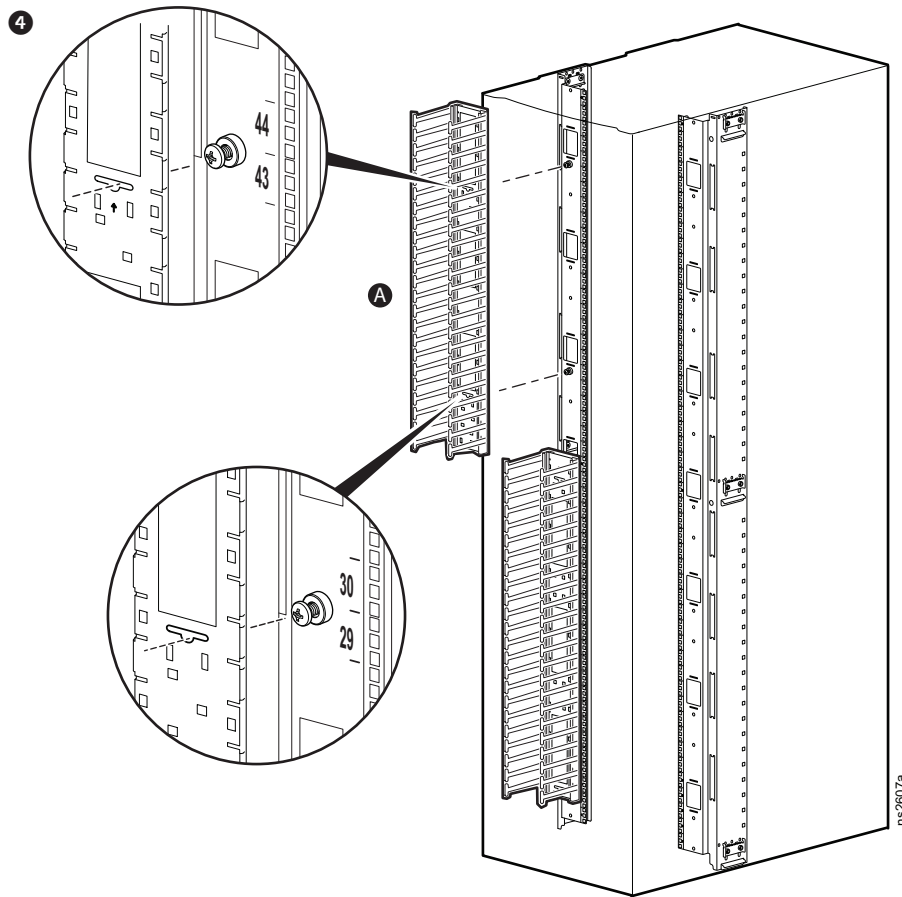
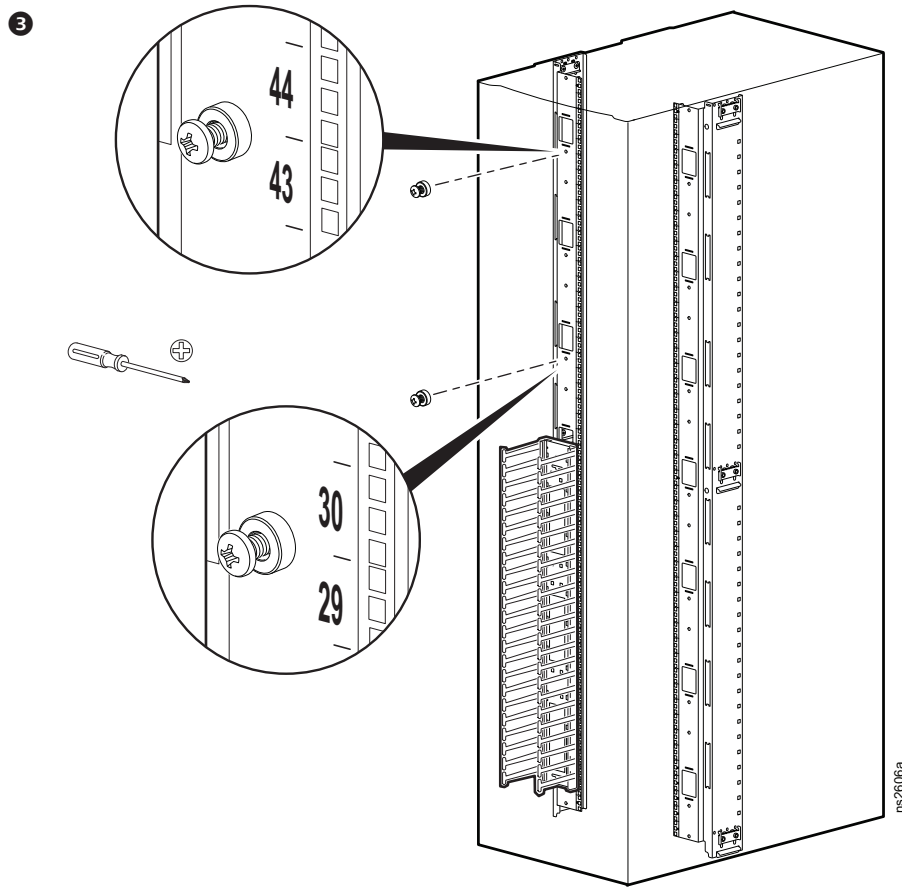


NOTE: Move or remove the vertical 0U Accessory Channel for rear of cabinet installation.

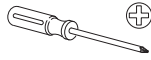


Installation





5



ns1242a

