



# 100GbE to 4x25GbE (QSFP28 to 4xSFP28) Direct Attach Copper Splitter Cable

## MCP7F00-Axxx

The Mellanox® MCP7F00-AXXX passive copper splitter cable is a high speed, cost-effective 100GbE to 4x25GbE Ethernet connectivity solution, designed to meet the growing needs for higher bandwidth in data centers.

MCP7F00 cables are compliant with SFF-8402 SFP28 and SFF-8665 QSFP28 standard specifications and provide connectivity between system units with QSFP28 port on one side and up to four different SFP28 ports on the other. The cable connects data signals from each of the 4 copper pairs on the QSFP28 end to the single pair of each of the SFP28 ends. Each (Q)SFP port comprises an EEPROM providing product information which can be read by the host system.

Mellanox's unique quality passive copper cable solutions provide power-efficient connectivity for short distance interconnects. It enables higher port bandwidth, density and configurability at a low cost and reduced power requirement in the data centers.

Rigorous cable production testing ensures best out-of-the-box installation experience, performance and durability.

Table 1 - Absolute Maximum Ratings

| Parameter             | Minimum | Maximum | Units |
|-----------------------|---------|---------|-------|
| Supply voltage        | -0.3    | 3.6     | V     |
| Data input voltage    | -0.3    | 3.6     | V     |
| Control input voltage | -0.3    | 3.6     | V     |

Table 2 - Operational Specifications

| Parameter                   | Minimum | Typical | Maximum | Units |
|-----------------------------|---------|---------|---------|-------|
| Supply voltage (Vcc)        | 3.135   | 3.3     | 3.465   | V     |
| Power consumption           | ---     | ---     | 0.1     | W     |
| Operating case temperature  | 0       | ---     | 70      | °C    |
| Operating relative humidity | 5       | ---     | 85      | %     |

Table 3 - Electrical Specifications

| Parameter                | Minimum | Typical | Maximum | Units |
|--------------------------|---------|---------|---------|-------|
| Characteristic impedance | 90      | 100     | 110     | Ω     |
| Time delay (informative) | ---     | ---     | 4.5     | ns/m  |



## HIGHLIGHTS

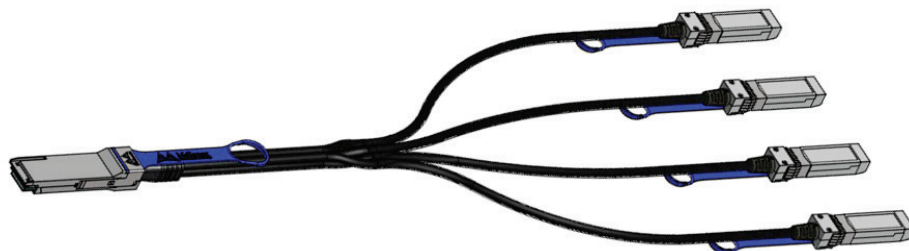
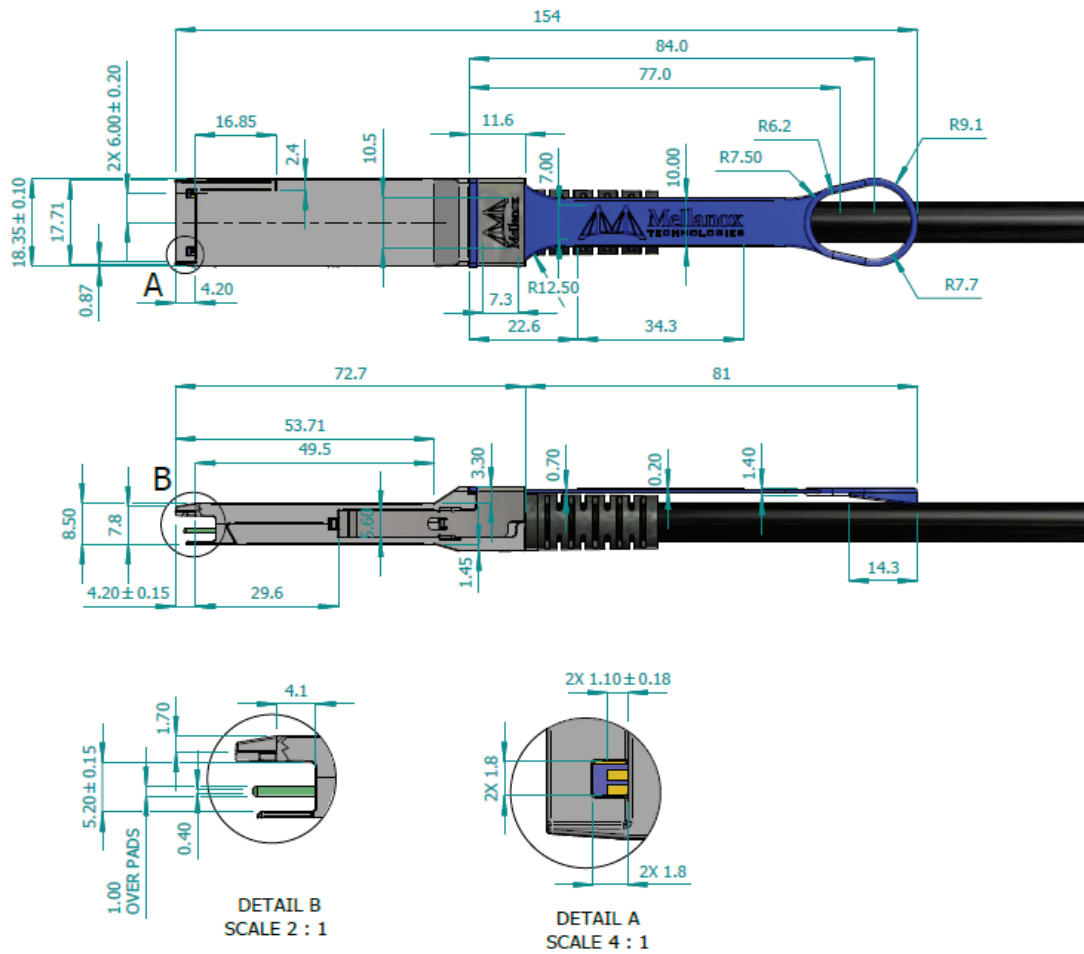
- 100GbE to 4x25GbE data rate
- 40GbE to 4x10GbE data rate
- SFF-8402 SFP28 compliant
- SFF-8665 QSFP28 compliant
- Operating case temperature of 0-70°C
- Single 3.3V supply voltage
- BER better than 1E-15
- Hot pluggable
- RoHS compliant
- SFF-8431/8432 compliant
- Supports IEEE 802.3bj and 802.3by

Table 4 - Cable Mechanical Specifications

| OPN (see Table 5) | AWG | Cable Length | Single Cable Diameter | Minimum Bend Radius                      | Length Tolerance |
|-------------------|-----|--------------|-----------------------|--|------------------|
| MCP7F00-A001      | 30  | 1            | 4.5 ± 0.2 mm (PVC)    | Single bend: 23mm<br>Repeated bend: 45mm | ± 25mm           |
| MCP7F00-A01A      |     | 1.5          |                       |  |                  |
| MCP7F00-A002      |     | 2            |                       |  |                  |
| MCP7F00-A02A      |     | 2.5          |                       |  |                  |
| MCP7F00-A003      | 28  | 3            | 4.7 ± 0.3 mm (PVC)    | Single bend: 24mm<br>Repeated bend: 47mm | ± 50mm           |

Note 1. See Figure 1 for the cable length definition.

## Mechanical Schematics



# Mechanical Schematics (cont.)

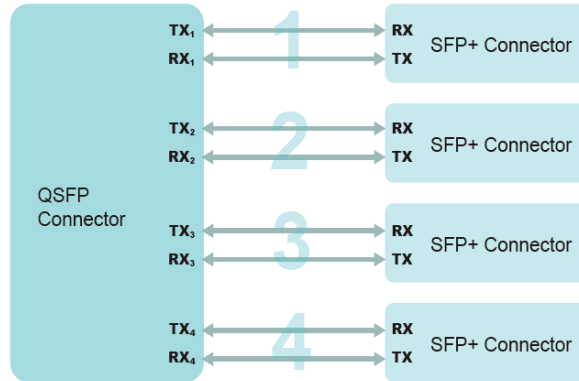


Figure 1. Cable Length Definition

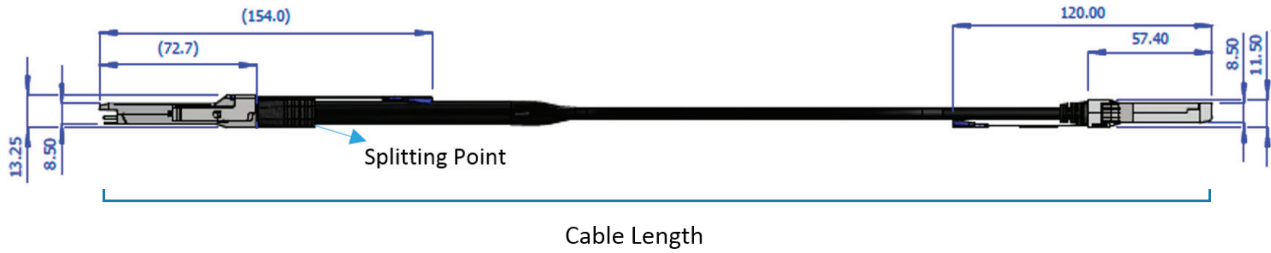


Table 5 - Part Number and Description

| OPN          | Description  |
|--------------|--|
| MCP7F00-A001 | Mellanox® passive copper hybrid cable, ETH 100GbE to 4x25GbE, QSFP28 to 4xSFP28, 1m, 30AWG   |
| MCP7F00-A01A | Mellanox® passive copper hybrid cable, ETH 100GbE to 4x25GbE, QSFP28 to 4xSFP28, 1.5m, 30AWG |
| MCP7F00-A002 | Mellanox® passive copper hybrid cable, ETH 100GbE to 4x25GbE, QSFP28 to 4xSFP28, 2m, 30AWG   |
| MCP7F00-A02A | Mellanox® passive copper hybrid cable, ETH 100GbE to 4x25GbE, QSFP28 to 4xSFP28, 2.5m, 30AWG |
| MCP7F00-A003 | Mellanox® passive copper hybrid cable, ETH 100GbE to 4x25GbE, QSFP28 to 4xSFP28, 3m, 28AWG   |

Note 1. See Figure 1 for the cable length definition.

## Warranty Information

Mellanox LinkX direct attach copper cables include a 1-year limited hardware warranty, which covers parts repair or replacement.



350 Oakmead Parkway, Suite 100, Sunnyvale, CA 94085  
 Tel: 408-970-3400 • Fax: 408-970-3403  
[www.mellanox.com](http://www.mellanox.com)