

SMS PRESENCE

VIDEO CONFERENCE



Stable video conferencing that can be moved without problems.

A stable, patented, and at the same time elegant design. The unique design completely hides cables and peripherals inside the product. Attractive from all sides, thus able to be placed in the centre of the room. Perfect for large, heavy displays and touch-sensitive displays, due to the very stable design. A camera shelf is included.

The pre-factory assembly means that installation is easy and quick, while the hidden cable chain inside the product ensures that the cables run freely with no risk of fastening. Fine adjustment possibilities allows for edge-to-edge mounting of displays. The displays can also be locked with a padlock or the accompanying locking screw, which provides increased protection from theft and personal safety. The design is protected.

▲ QUESTIONS AND ANSWERS:

How do I gain access to the cables and equipment inside the product?

– Removable magnetic covers on both the front and the back of the product make it easy to gain access to cables and other media equipment.

Is it difficult to move the bracket with a display mounted on it?

– It's easy. You can move the equipment easily and safely from one room to another with the aid of a handle.

▲ INFO

Finish: Aluminium/Antracite Grey

Maximum display weight: 55 kg/display

Horizontal VESA: 200 – 800 mm

Vertical VESA: 100 – 400 mm

Max display width: see table in technical drawing

Security: The display can be locked with a locking screw (included) or padlock (not included) to increase personal safety and security from theft.

Extensively factory-mounted for easy installation.

Easy to move, easy to assemble

A handle for the product is supplied

Dedicated area for cables and peripherals inside the product: 550 (W) x 380 (H) x 132 mm (D)

Protected design.

Warranty: 5 years

▲ ABOUT THE PRODUCT

- An ergonomic and flexible product that is easy to move and easy to install.
- Attractive and elegant on all sides, and thus able to be placed in the centre of the room.
- Perfect for large, heavy displays and touch-sensitive displays, due to the very stable, patented design.
- The pre-factory assembly means that installation is easy and quick.



▲ SIMPLE ORDERING

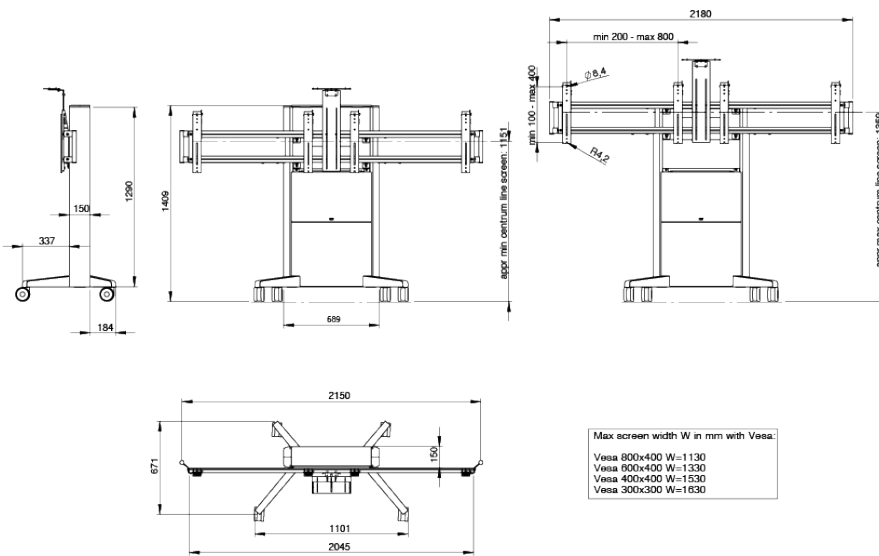
ART. NO.

C5-31U004-2-A-0 SMS Presence Mobil VC 1290

C5-31U006-2-A-0 SMS Presence Mobil VC 1650

▲ TECHNICAL DRAWING (MM)

C5-31U004-2-A-0 - SMS PRESENCE VC MOBILE 1290

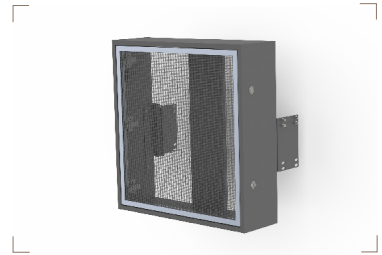


▲ TWO VERSIONS



The product is available in two different lengths, 1290 mm (in image) and 1650 mm.

▲ ACCESSORIES



PR400001 SMS Presence Media Box Glass
 PR400003 SMS Presence Media Box Perforated Door
 C5-21U005-2-A SMS Presence Tower Box Glass (Mobile)
 C5-21U006-2-A SMS Presence Tower Box Perforated Door (Mobile)
 PR210200 SMS Presence Display Holder Portrait
 PD100011 SMS Feet Set

For a complete list of accessories, see www.smartmediasolutions.se

▲ TECHNICAL DRAWING (MM)

C5-31U006-2-A-0 - SMS PRESENCE MOBILE VC 1650

