



Sonos[®] SUB
Product Guide

THIS DOCUMENT CONTAINS INFORMATION THAT IS SUBJECT TO CHANGE WITHOUT NOTICE.

No part of this publication may be reproduced or transmitted in any form or by any means, electronic or mechanical, including but not limited to photocopying, recording, information retrieval systems, or computer network without the written permission of Sonos, Inc.

Sonos and all other Sonos product names and slogans are trademarks or registered trademarks of Sonos, Inc. Sonos Reg. U.S. Pat. & Tm. Off.

Sonos products may be protected by one or more patents. Our patent-to-product information can be found here:

sonos.com/legal/patents

iPhone®, iPod®, iPad® and iTunes® are trademarks of Apple Inc., registered in the U.S. and other countries.

Windows® is a registered trademark of Microsoft Corporation in the United States and other countries.

Android® is a trademark of Google, Inc.

MPEG Layer-3 audio decoding technology licensed from Fraunhofer IIS and Thomson.

Sonos uses MSNTP software, which was developed by N.M. Maclaren at the University of Cambridge.

© Copyright, N.M. Maclaren, 1996, 1997, 2000; © Copyright, University of Cambridge, 1996, 1997, 2000.

All other products and services mentioned may be trademarks or service marks of their respective owners.

January 2015

©2004-2015 by Sonos, Inc. All rights reserved.

Sonos SUB™

The Sonos SUB takes your audio experience to the next level when you add this wireless subwoofer to an existing Sonos room.

- Instantly adds a dimension of deep bass impact to your audio listening experience.
- Allows placement anywhere because it's wireless and compact—position it vertically or horizontally on any floor surface.

Note: The Sonos SUB is designed for use with any amplified Sonos player, including the PLAYBAR®, PLAY:1®, PLAY:3®, PLAY:5®, CONNECT:AMP™ or ZP100.

It is not designed for use with unamplified Sonos players, such as the CONNECT™ and ZP80.

New to Sonos?

Set up your Sonos Wireless HiFi System with at least one amplified Sonos player—PLAYBAR, PLAY:1, PLAY:3, PLAY:5, CONNECT:AMP, or ZP100 before adding the Sonos SUB to your music system. For help with this step, refer to the instructions packaged with your other Sonos products.

Once you've set up your music system, you can add additional Sonos products any time (up to 32).

Adding to an Existing Sonos System?

Sonos can be easily expanded room by room. Turn to page 3 for help adding the Sonos SUB to your existing Sonos system.



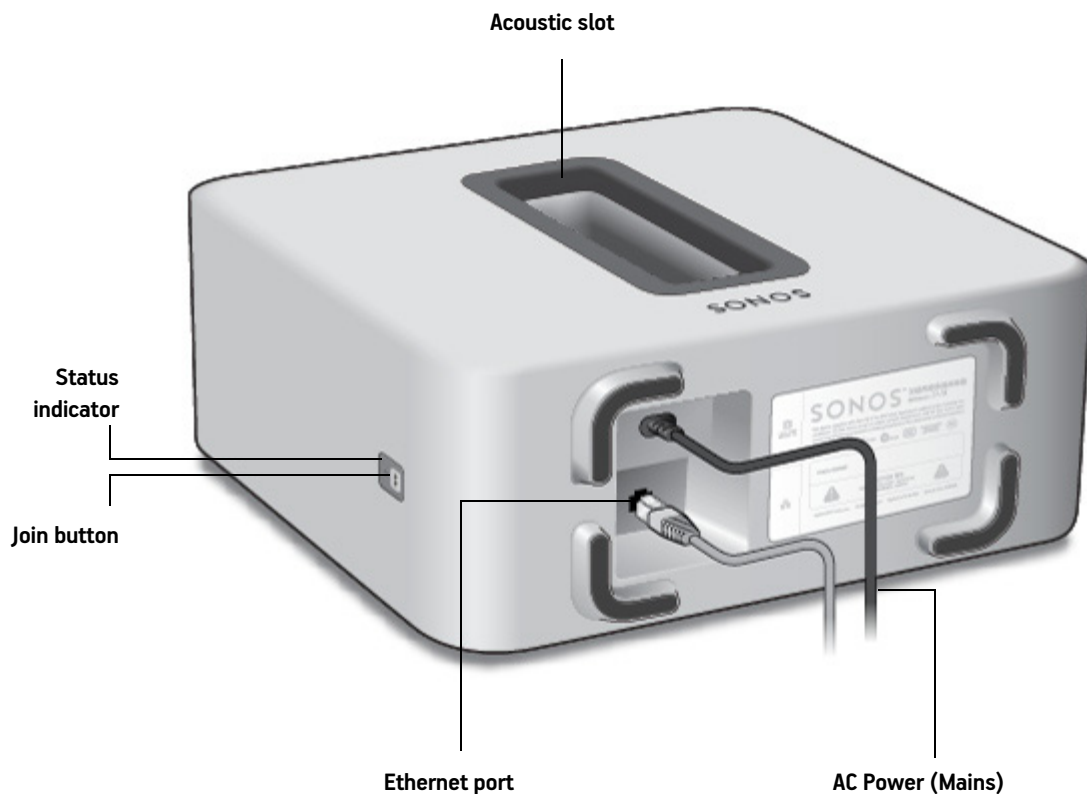
Sonos Controllers

You can use any Sonos controller with your Sonos system, including:

- **Sonos Controller for Android.** Touch the **Play Store** or **Market** button on your Android device to download the free Sonos application from Google Play.
- **Sonos Controller for iPhone** or the **Sonos Controller for iPad.** Tap the **App Store** button on your iPhone, iPod touch or iPad to download the free Sonos application, or you can download the application from iTunes®. (If you download from iTunes, you will need to sync before you see the Sonos logo display on your device.)
- **Sonos Controller for Mac or PC.** Download from our Website at: www.sonos.com/install.
- **Sonos CONTROL.**

Sonos is always working on new ways to help you control the music any way you want. For the latest list of Sonos controllers, please visit our Web site at www.sonos.com/products.

SUB Bottom/Side



Join button

Press the **Join** button to associate the SUB with your Sonos Wireless HiFi System.

Acoustic slot

The top of the acoustic slot doubles as a handle so you can lift it.

SUB placement: Make sure at least one side of the slot is free from obstruction. If you place it vertically against a wall, do not block the front opening. If you place the SUB horizontally on the floor, don't put anything on top of it.

SUB status indicator

LED indicates the SUB status.

- For a complete list of status indicators, please go to <http://faq.sonos.com/led>.

Ethernet port

Use an Ethernet cable to connect the SUB to your home network.

AC power (mains) input

Use only the supplied power cord to connect to a power outlet (using a third party power cord will void your warranty). Be sure to use the proper power adapter for your country. *Push the power cord firmly into the SUB until it is flush with the surface.*



Adding the SUB to your Sonos System

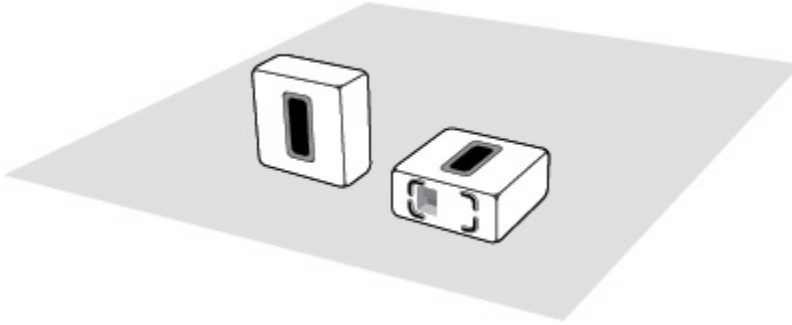
You can easily add the Sonos SUB to an existing Sonos system.

- You can pair the SUB with any amplified Sonos player, including a PLAYBAR, CONNECT:AMP, PLAY:1, PLAY:3, PLAY:5, or ZP100. You cannot associate it with an un-amplified Sonos player such as the CONNECT or ZP80.
- The SUB is compatible with Sonos software versions 3.8 and later. **Be sure to check for software updates before adding the SUB to your Sonos system.**

1. Carefully unpack the package contents.

Caution: Subwoofers are heavy. Exercise caution when unpacking your Sonos SUB. Use the acoustic slot as a handle to lift the SUB out of the box. (You should always bend your knees when lifting heavy objects to avoid undue stress on your back.)

2. Choose a location for the SUB. It is designed to provide optimal sound wherever you place it.
 - You can position the SUB either vertically or horizontally. If you are going to use the SUB horizontally on a smooth floor, you can attach the 4 permanent felt feet (included with your SUB) to each of the corners. See "Attaching the feet for horizontal placement" on page 5 for more information.



Make sure at least one side of the rectangular opening (acoustic slot) is unobstructed.

- If you place the SUB vertically flush against a wall, do not block the front acoustic slot.
- If you place the SUB horizontally on the floor, don't put anything on top of it. Leave at least 1" clearance along the top of the SUB if placing under furniture.

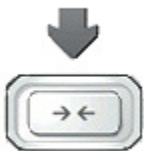
- The SUB is designed to be located on the floor. You can place it in a corner, against the wall, behind, under, or next to any piece of furniture on any kind of floor surface.

Note: The SUB contains strong magnets. Don't place the SUB near equipment that is sensitive to magnetic fields.

3. Attach the power adapter and plug in the SUB. *Be sure to push the power cord firmly into the SUB until it is flush with the surface.*





4. Choose one of the following options:
 - Using a handheld Sonos controller: Select **Add a Player or SUB** from the **Settings** menu.
 - Using the Sonos Controller for Mac or PC: Select **Add a Player or SUB** from the **Manage** menu.



Press and release the **Join** button on the side of the SUB.
The indicator flashes green and white while the SUB is connecting

To optimize your SUB's performance, during the setup process you will be prompted to make some choices—

- If you are joining a CONNECT:AMP or ZP100, select the size of your stereo speakers (Compact, Bookshelf/Ceiling or Floor.)
- Press Play  to compare the volume of two test sounds, A and B, and then select **No Difference, A is louder or B is louder.**
- Press Play  to listen to a test sound, and then select the best level for the SUB.

You may be prompted to update the SUB after you add it to your Sonos system.

Note: After the SUB is associated with a Sonos player, you will not see it displayed separately in the **Rooms** menu. Any changes you make to that Sonos player (volume, mute, music selection) will also affect the SUB.

Attaching the feet for horizontal placement

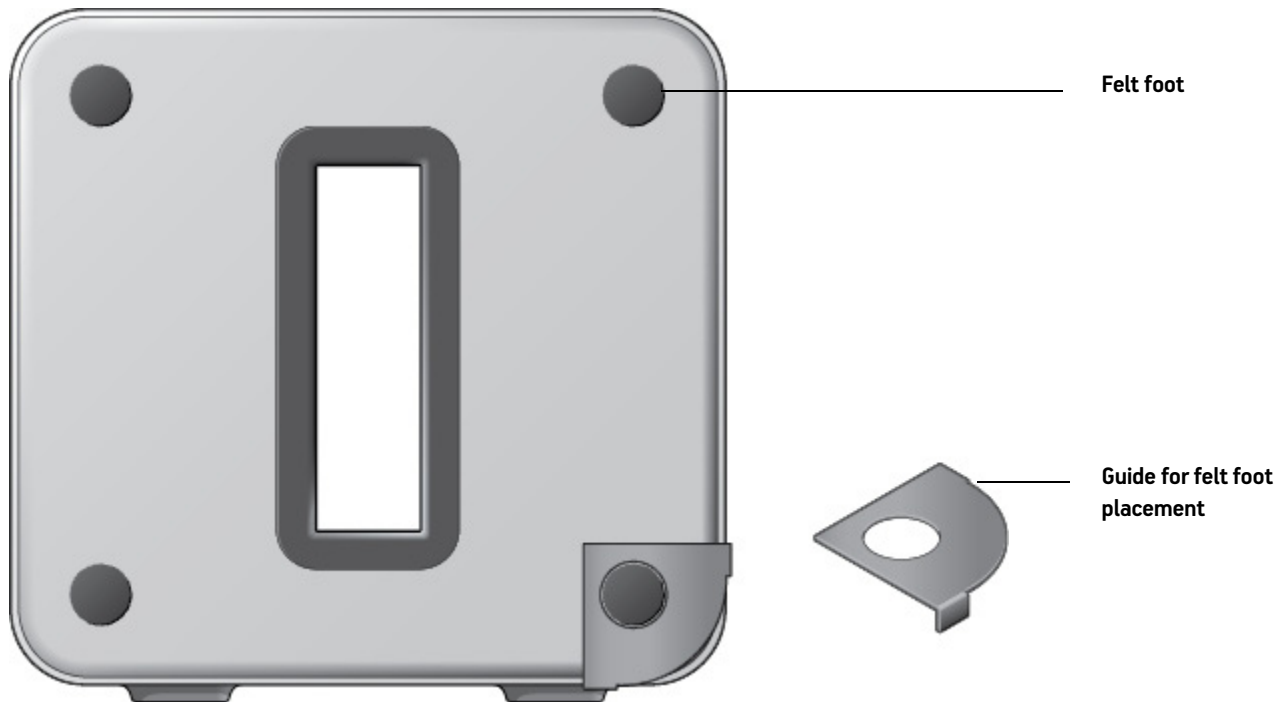
If you are going to use your SUB placed horizontally on a smooth floor, the Sonos SUB includes four (4) permanent felt feet you can attach to the corners of the unit. If you are laying the SUB down on a rug or using it vertically, there's no need to adhere the felt feet.

Note: The felt feet are not adjustable—a strong adhesive will keep them permanently attached to the SUB once you apply them.

The Sonos logo appears on the front of the SUB—you will adhere the felt feet to the opposite side of the unit.

1. Lay the SUB down on a rug or on top of the SUB's felt packing bag so the Sonos logo is facing down and is not visible.

- Place the enclosed guide on one corner of the unit and fold the flaps over the edge.



- Peel the backing off one of the feet.
- Press the felt foot (sticky side down) onto the unit inside the circular portion of the guide.
- Repeat this process for the other three (3) corners.

SUB Settings

The SUB's settings are determined during the initial setup process. If you wish to make changes, follow the steps below to adjust how the SUB works with the associated Sonos product or stereo pair.

Changing SUB Settings

Using a handheld Sonos controller

- Select **Settings** -> **Room Settings**.
- Select the room that is associated with the Sonos SUB. It appears as *Room (+SUB)* on the **Room Settings** menu.
- Select **Advanced Audio** -> **SUB Settings**.
- Choose one of the following options:
 - SUB:** Choose **On** or **Off** to turn the sound from the SUB on and off.
 - SUB Level Adjustment:** Use the slider to increase or decrease the volume of the SUB. (You can use this setting to match the subwoofer level to the level of your main speakers.)

- **Placement Adjustment (phase):** Select **On** or **Off**.
- **Speaker Size Adjustment (Crossover):** This setting only appears when the SUB is associated with a CONNECT:AMP or ZonePlayer 100. *You may wish to choose a different setting from the list if:*
 - the main speakers sound distorted at high volumes—moving to a smaller speaker size setting can help.
 - your attention is drawn to the SUB's location while listening to music—moving to a larger speaker size setting can help.

1	Compact	110 Hz
2		100 Hz
3		90 Hz
4	Bookshelf / Ceiling	80 Hz
5		70 Hz
6	Floor	60 Hz
7		50 Hz

Using the Sonos Controller for Mac or PC

1. Select **Manage** -> **Settings (PC)** or **Sonos** -> **Preferences (Mac)**.
2. Select **Room Settings**.
3. Select the room that is associated with the Sonos SUB. It appears as *Room (+SUB)* on the **Room Settings** menu.
4. Select the **SUB** tab.
5. Choose one of the following options:
 - **SUB:** Check to turn the sound from the SUB on; uncheck to turn it off.
 - **SUB Level Adjustment:** Use the slider to increase or decrease the volume of the SUB. (You can use this setting to match the subwoofer level to the level of your main speakers.)
 - **Placement Adjustment (phase):** Check or uncheck the box to adjust the phase.
 - **Speaker Size Adjustment (Crossover):** This setting only appears when the SUB is associated with a CONNECT:AMP or ZonePlayer 100. *You may wish to choose a different setting from the drop-down list if:*
 - the main speakers sound distorted at high volumes—moving to a smaller speaker size setting can help.
 - your attention is drawn to the SUB's location while listening to music—moving to a larger speaker size setting can help.



1	Compact	110 Hz
2		100 Hz
3		90 Hz
4	Bookshelf / Ceiling	80 Hz

5		70 Hz
6	Floor	60 Hz
7		50 Hz



Recalibrating the SUB

After initial setup, you may wish to make some adjustments to optimize your SUB's performance. If you move the SUB to another location, purchase new speakers, or simply want to adjust the sound, follow the steps below to recalibrate the SUB.

Using a handheld Sonos Controller

1. Select **Settings** -> **Room Settings**.
2. Select the room that is associated with the Sonos SUB. It appears as *Room (+SUB)* on the **Room Settings** menu.
3. Select **Advanced Audio** -> **Recalibrate SUB**.
4. Follow the prompts to optimize your SUB's performance:
 - Select the size of your stereo speakers (CONNECT:AMP or ZP100 only).
 - Press Play  to compare the volume of two test sounds, A and B, and then select **No Difference, A is louder** or **B is louder**.
 - Press Play  to listen to a test sound, and then select the level you prefer.

Using the Sonos Controller for Mac or PC

1. Select **Manage** -> **Settings** (PC) or **Sonos** -> **Preferences** (Mac).
2. Select **Room Settings**.
3. Select the room that is associated with the Sonos SUB. It appears as *Room (+SUB)* on the **Room Settings** menu.
4. Select the **Basic** tab, and then select **Recalibrate SUB**.
5. Follow the prompts to optimize your SUB's performance:
 - Select the size of your stereo speakers (CONNECT:AMP or ZP100 only).
 - Press Play  to compare the volume of two test sounds, A and B, and then select **No Difference, A is louder** or **B is louder**.
 - Press Play  to listen to a test sound, and then select the level you prefer.

Changing the SUB's Room Association

You can easily associate the SUB with a different Sonos player (CONNECT:AMP, PLAY:1, PLAY:3, PLAY:5, PLAYBAR, or ZP100).

If you are moving the SUB to a new room, first unplug the SUB, locate it on the floor in another room, and then plug it back in. The status light on the side of the SUB will begin to flash. Once it lights solid again, you are ready to proceed.

Using a handheld Sonos Controller

1. Select **Settings** -> **Room Settings**.
2. Select the room that is currently associated with the Sonos SUB. It appears as *Room (+SUB)* on the **Room Settings** menu.
3. Select **Remove SUB**.
4. Choose one of the following settings:
 - If you want to associate the SUB with a different Sonos player, select **Choose Room for SUB** and then select another room.
 - If you are not going to use the SUB right now, select **Don't use SUB**. It will appear on the **Rooms** menu as *SUB (unused)* until you select it and associate it with another Sonos player.

Using the Sonos Controller for Mac or PC

1. Select **Manage** -> **Settings** (PC) or **Sonos** -> **Preferences** (Mac).
2. Select **Room Settings**.
3. Select the room that is associated with the Sonos SUB. It appears as *Room (+SUB)* on the **Room Settings** menu.
4. From the **Basic** tab, select **Remove SUB**.

5. Choose one of the following settings:

- If you want to associate the SUB with a different Sonos player, select **Choose Room for SUB** and then select another room.
- If you are not going to use the SUB right now, select **Don't use SUB**. It will appear on the **Rooms** menu as *SUB (unused)* until you select it and associate it with another Sonos player.

Basic Troubleshooting

Warning: *Under no circumstances should the product be repaired by anyone other than an authorized Sonos repair center, as this will invalidate the warranty. Please contact Sonos Customer Support for more information. Do not open the system as there is a risk of electric shock.*

If a problem occurs, you can try the troubleshooting suggestions listed below. If one of these doesn't remedy the problem, or you are not sure how to proceed, please contact the Sonos Customer Support team and we'll be happy to help.

- **Web site**
 - Visit our Web site at www.sonos.com/support. There you can visit our Forums, browse our Frequently Asked Questions (FAQ) pages, or request assistance.
- **Email:** support@sonos.com

SUB not detected during setup

- Did you allow Sonos to check for updates? *The Sonos SUB requires software version 3.8 or later.*
- Is the power cord properly seated? *Be sure to push the power cord firmly into the SUB until it is flush with the surface.*
- If either of these is not the problem, a network or a firewall issue may be preventing the SUB from connecting to your Sonos system. *Try moving the Sonos products closer together.*

LED Explanations

Indicator Lights	Player State	Sonos Product	Additional Information
Solid white	Powered up and associated with a Sonos system	BRIDGE, BOOST™, CONNECT, SUB, CONNECT:AMP, DOCK, PLAY:1, PLAY:3, PLAY:5, PLAYBAR	If desired, when the product is in normal operation, you can turn the white status indicator light on or off by selecting White Status Light from the Room Settings menu. (The SUB indicator will reflect the same setting as the player it is paired with.)
Flashing white	Powering up	BRIDGE, BOOST, CONNECT, SUB, CONNECT:AMP, DOCK, PLAY:1, PLAY:3, PLAY:5, PLAYBAR	
Flashing green	Powered up, not yet associated with a Sonos system	BRIDGE, BOOST, CONNECT, SUB, CONNECT:AMP, DOCK, PLAY:1, PLAY:3, PLAY:5, PLAYBAR	For a SUB, this may indicate the SUB is not yet paired with a player.
Solid green	Volume set to zero or muted	CONNECT, CONNECT:AMP, PLAY:1, PLAY:3, PLAY:5, PLAYBAR	
Slowly flashing green	Surround audio is off or SUB audio is off	PLAY:1, PLAY:3, SUB	Applicable for player configured as a PLAYBAR surround speaker, or for a SUB paired with a PLAYBAR
Solid orange	During wireless setup, this occurs while the Sonos open access point is temporarily active. If you are not setting up your Sonos system, this may indicate warning mode.	CONNECT, SUB, CONNECT:AMP, PLAY:1, PLAY:3, PLAY:5, PLAYBAR	If the orange light is on AND the player's volume level automatically reduces, this indicates the player is in warning mode. <ul style="list-style-type: none"> • Press the Pause button to stop the audio • Check the vent slot for adequate cooling • Check the room temperature to make sure it's less than 104°F/ 40° C • If the player is in direct sunlight, provide shade • Allow the player to cool for several minutes and then press Play to restart the audio • If the problem does not resolve, please contact Customer Support
Rapidly flashing orange	Playback / Next Track failed	CONNECT, CONNECT:AMP, PLAY:1, PLAY:3, PLAY:5, PLAYBAR	Indicates either playback or next track was not possible

Indicator Lights	Player State	Sonos Product	Additional Information
Flashing orange	During SonosNet setup, this occurs after a button press while the product is searching for a household to join.	BRIDGE, BOOST, CONNECT, SUB, CONNECT:AMP, DOCK, PLAY:1, PLAY:3, PLAY:5, PLAYBAR	
Slowly flashing orange and white	Fault mode	CONNECT, CONNECT:AMP, PLAY:1, PLAY:3, PLAY:5, PLAYBAR, SUB	<p>If the lights are flashing orange and white AND the volume automatically mutes, this indicates the player is experiencing a fault condition.</p> <ul style="list-style-type: none"> • Press the Pause button to stop the audio • Check the room temperature to make sure it's less than 104°F/40° C • If the player is in direct sunlight, provide shade • Allow the product to cool for several minutes and then press Play to restart the audio • If the problem does not resolve, please contact Customer Support

Important Safety Information

1. Read these instructions.
2. Keep these instructions.
3. Heed all warnings.
4. Follow all instructions.
5. Do not use this apparatus near water.
6. Clean only with dry soft cloth. Household cleaners or solvents can damage the finish on your Sonos products.
7. Do not install near any heat sources such as radiators, heat registers, stoves, or other apparatus that produce heat.
8. Protect the power cable from being walked on or pinched, particularly at plugs, convenience receptacles, and the point where they exit from the apparatus.
9. Only use attachments/accessories specified by the manufacturer.
10. Unplug this apparatus during lightning storms or when unused for long periods of time.
11. Refer all servicing to Sonos qualified service personnel. Servicing is required when the apparatus has been damaged in any way, such as power-supply cable or plug is damaged, liquid has been spilled or objects have fallen into the apparatus, the apparatus has been exposed to rain or moisture, does not operate normally, or has been dropped.
12. The Mains plug should be readily available to disconnect the equipment.
13. **Warning:** To reduce the risk of fire or electric shock, do not expose this apparatus to rain or moisture.
14. Do not expose apparatus to dripping or splashing and do not place objects filled with liquids, such as vases, on the apparatus.

Caution: Do not sit or stand on the SUB. It could tip over resulting in personal injury.

Specifications

Feature	Description
Audio	
Amplifier	Two Class-D digital amplifiers
Speakers	Two force-cancelling speakers positioned face-to-face for deeper, richer sound and zero cabinet buzz or rattle.
Dual Acoustic Ports	Tuned to enhance the SUB performance.
Frequency Response	Plays down to 25 Hz.
All Digital Sound	All filter settings, active equalization, and time alignment are done digitally through state-of-the-art DSP (Digital Signal Processing) circuitry for zero-loss audio quality and energy.
Automatic Equalization	The system automatically adjusts audio settings across all connected components.
Networking	
Ethernet Port	One Ethernet port that can connect the SUB to a wired home network.
Wireless Connectivity	Works on your home WiFi network with any 802.11b/g, 2.4GHz broadcast capable router Also works on SonosNet™, a secure AES encrypted, peer-to-peer wireless mesh network dedicated exclusively for your Sonos system to reduce WiFi interference
SonosNet Extender	Functions to extend and enhance the power of SonosNet 2.0
General	
Side Panel Button (Join Button)	Join household
Side Panel LEDs	Indicate SUB status
Power Supply	100 - 240 VAC, 50/60 Hz, auto-switchable
Dimensions (H x D x W)	15 x 6.2 x 15.8in. (380 x 158 x 402mm)
Weight	36.3 lbs (16kgs)
Operating Temperature	32°F to 104°F (0°C to 40°C)
Storage Temperature	4°F to 158°F (-20°C to 70°C)
Multiple Orientations	Stand upright or lay flat for flexible placement.
Rubber and Felt Feet	Built-in rubber feet; optional felt feet included.
Supported Devices	SUB works with all Sonos amplified products: CONNECT:AMP; PLAY:5; PLAY:3; PLAY:1; PLAYBAR; ZP100 Does not work with the non-amplified Sonos CONNECT or ZP80.

* Specifications subject to change without notice.

Regulation Information

USA

This equipment has been tested and found to comply with the limits for a Class B digital device, pursuant to part 15 of the FCC Rules. These limits are designed to provide reasonable protection against harmful interference in a residential installation. This equipment generates, uses and can radiate radio frequency energy and, if not installed and used in accordance with the instructions, may cause harmful interference to radio communications. However, there is no guarantee that interference will not occur in a particular installation. If this equipment does cause harmful interference to radio or television reception, which can be determined by turning the equipment off and on, the user is encouraged to try to correct the interference by one or more of the following measures:

- All Sonos devices have in-products antennas. Users cannot reorient or relocate the receiving antenna without modifying the product
- Increase the separation between the equipment and receiver.
- Connect the equipment into an outlet on a circuit different from that to which the receiver is connected.

Caution: Modifications not expressly approved by the manufacturer may void the user's authority to operate the equipment under FCC rules.

The device for operation in the band 5150-5250 MHz is only for indoor use to reduce the potential for harmful interference to co-channel mobile satellite systems.

Canada

This Class B digital apparatus complies with Canadian ICES-003 and RSS-210. Operation is subject to the following two conditions: (1) this device may not cause interference, and (2) this device must accept any interference, including interference that may cause undesired operation of the device.

The installer of this radio equipment must ensure that the product is located such that it does not emit RF field in excess of Health Canada limits for the general population; consult Safety Code 6, obtainable from Health Canada's Web site www.hc-sc.gc.ca/rpb. As mentioned before, the installer cannot control the antenna orientation. However, they could place the complete product in a way that causes the problem mentioned above.

The device for operation in the band 5150-5250 MHz is only for indoor use to reduce the potential for harmful interference to co-channel mobile satellite systems.

Be advised that high-power radars are allocated as primary users (i.e. priority users) of the bands 5250-5350 MHz and 5650-5850 MHz and that these radars could cause interference and/or damage to LE-LAN devices.

Canada

Cet appareil numérique de classe B est conforme aux normes NMB-003 et CNR-210 en vigueur au Canada. Son fonctionnement est soumis aux deux conditions suivantes : (1) Cet appareil ne doit pas créer d'interférences nuisibles. (2) Cet appareil doit tolérer toutes les interférences reçues, y compris les interférences pouvant entraîner un fonctionnement indésirable.

L'installateur du présent matériel radio doit veiller à ce que le produit soit placé ou orienté de manière à n'émettre aucun champ radioélectrique supérieur aux limites fixées pour le grand public par le ministère Santé Canada ; consultez le Code de sécurité 6 sur le site Web de Santé Canada à l'adresse : www.hc-sc.gc.ca/rpb. Comme indiqué auparavant, l'installateur ne peut pas contrôler l'orientation de l'antenne. Il peut néanmoins placer le produit tout entier de manière à provoquer le problème décrit ci-dessus.

Les dispositifs fonctionnant dans la bande 5150-5250 MHz sont réservés uniquement pour une utilisation à l'intérieur afin de réduire les risques de brouillage préjudiciable aux systèmes de satellites mobiles utilisant les mêmes canaux.

Les utilisateurs de radars de haute puissance sont désignés utilisateurs principaux (c.-à-d., qu'ils ont la priorité) pour les bandes 5250-5350 MHz et 5650-5850 MHz et que ces radars pourraient causer du brouillage et/ou des dommages aux dispositifs LAN-EL.

Europe

Sonos declares that this product herewith complies with the requirements of the EMC Directive 2004/108/EC, Low Voltage Directive 2006/95/EC, Eco-Design Directive 2005/32/EC, RoHS Directive 2011/65/EU and the R&TTE Directive 1999/5/EC when installed and used in accordance with the manufacturer's instructions. A copy of the full Declaration of Conformance may be obtained at www.sonos.com/support/policies.

⚠ Attention In France, operation is limited to indoor use within the band 5150-5350 MHz.

SonosNet is the propriety wireless mesh network architecture designed to provide robust transmission of high fidelity streaming digital music. All Sonos players within the SonosNet mesh network act as both a client and access point simultaneously. Each Sonos player expands the range of SonosNet mesh network because while each device must be within range of at least one other Sonos player, they do not need to be within range of a central access point. In addition to extending the range between Sonos products, SonosNet can extend the range of other data networking devices within the home, such as Android devices directly connected to SonosNet. Due to the high network availability requirements of the SonosNet mesh network, Sonos players do not have a standby or off mode other than removing the power cord from the AC mains.

RF Exposure Requirements

To comply with FCC and Industry Canada exposure essential requirements, a minimum separation distance of 20cm (8 inches) is required between the equipment and the body of the user or nearby persons.

Recycling Information



This symbol on the product or on its packaging indicates that this product shall not be treated as household waste. Instead please deliver it to the applicable collection point for the recycling of electrical and electronic equipment. By recycling this product correctly, you will help conserve natural resources and prevent potential negative environmental consequences. For more detailed information about recycling of this product, please contact your local city office, your household waste disposal service or the shop where you purchased the product.