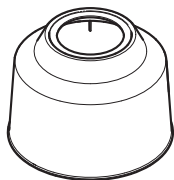
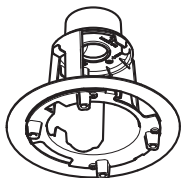


INSTALLATION GUIDE

AXIS T94F02D Pendant Kit



1x



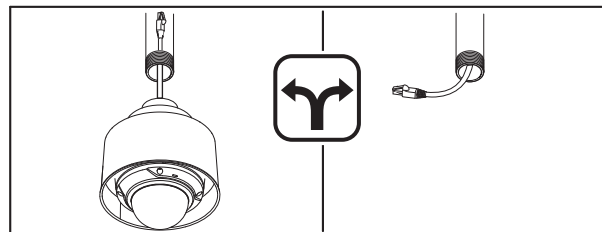
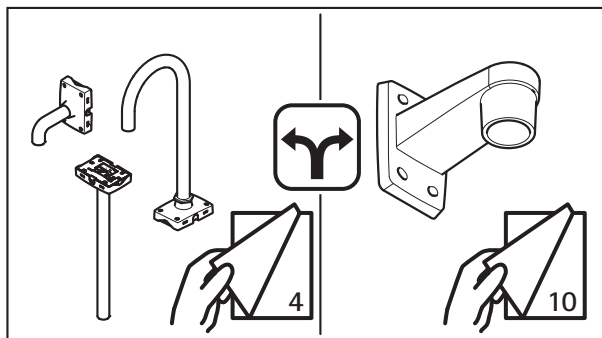
1x

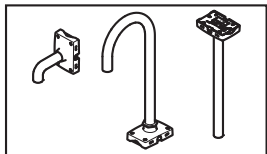


1x

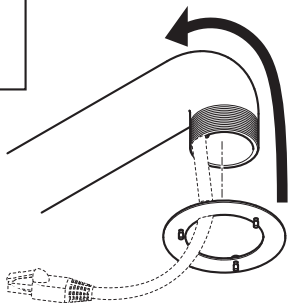


1x

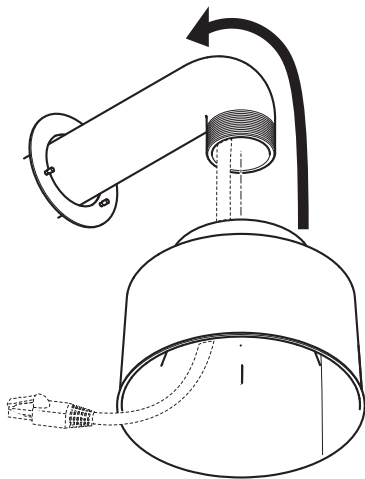


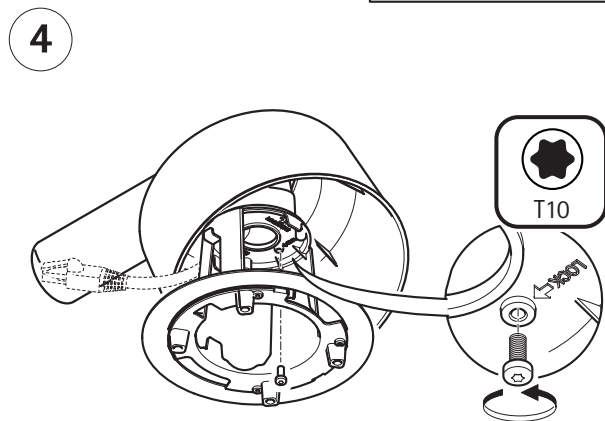
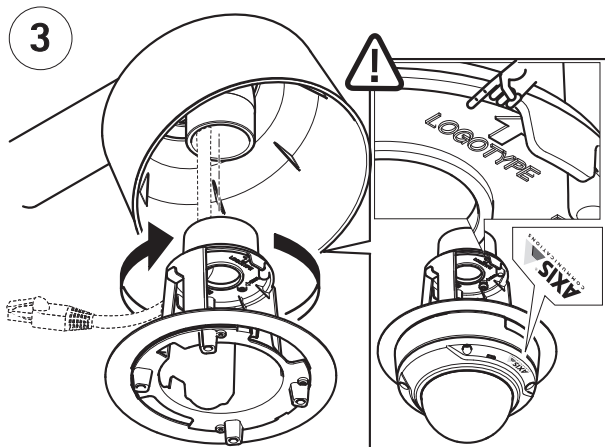


1

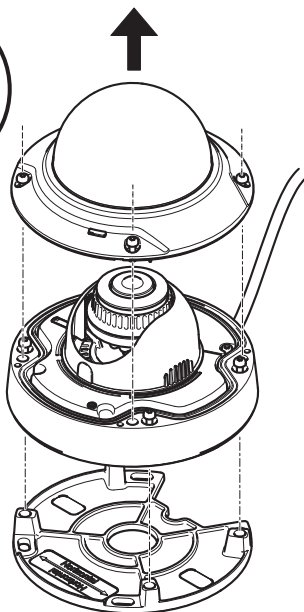
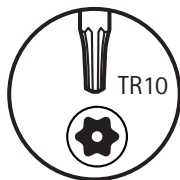


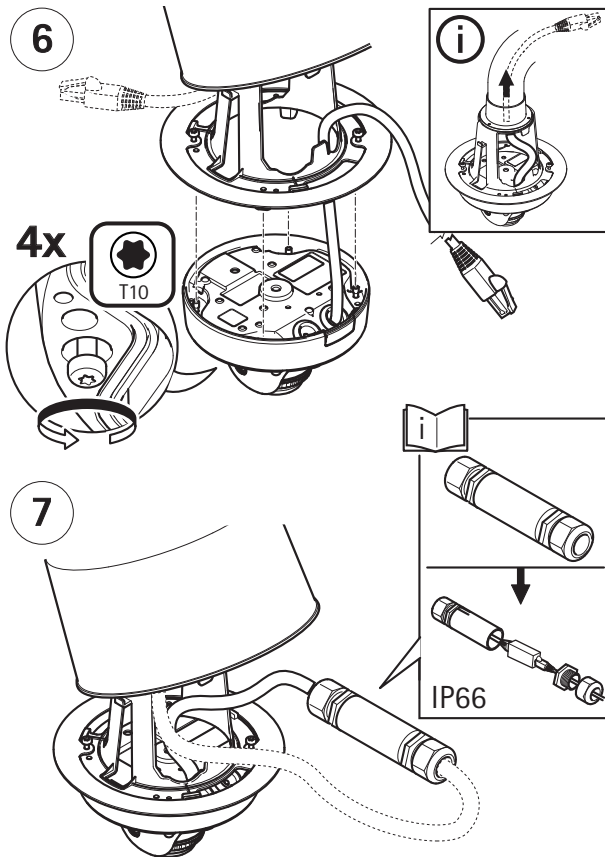
2



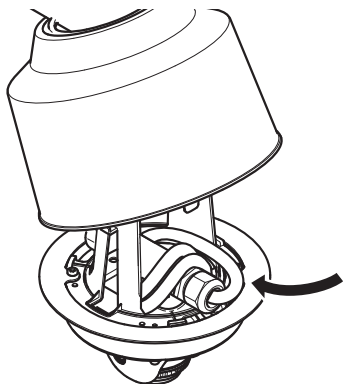


5

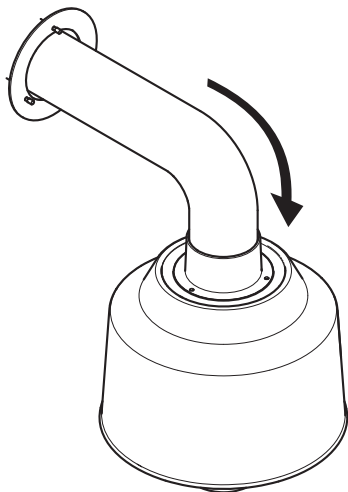


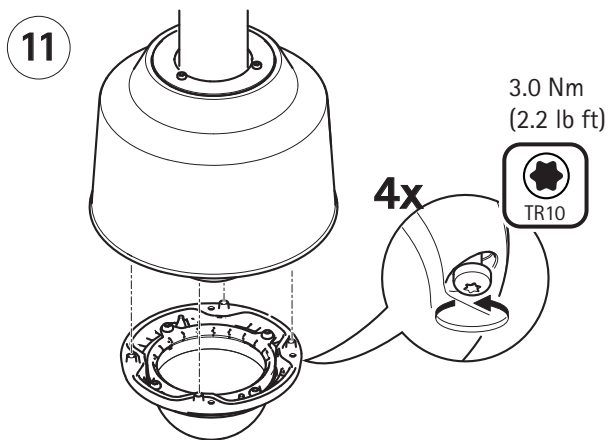
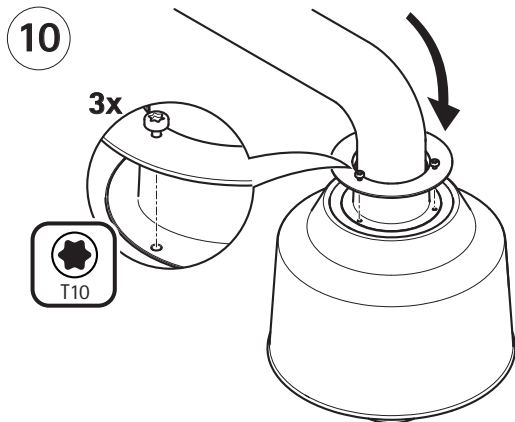


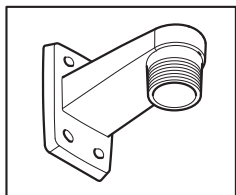
8



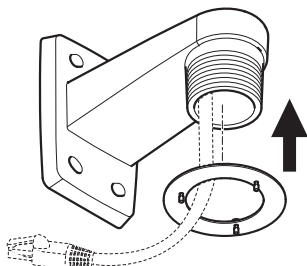
9



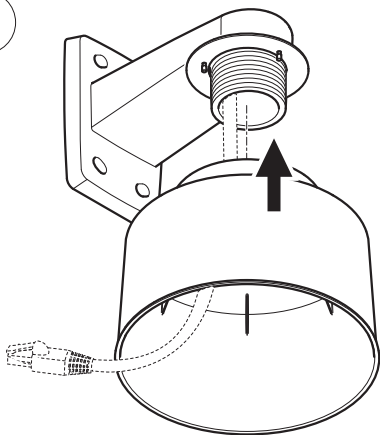


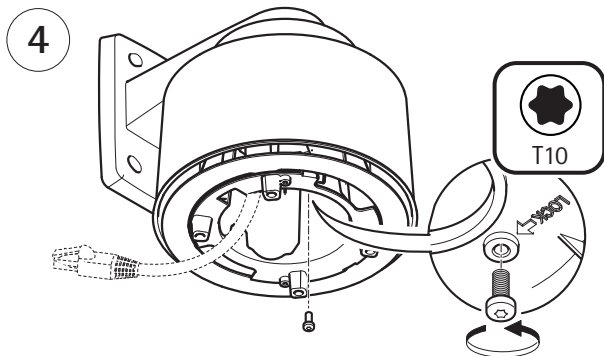
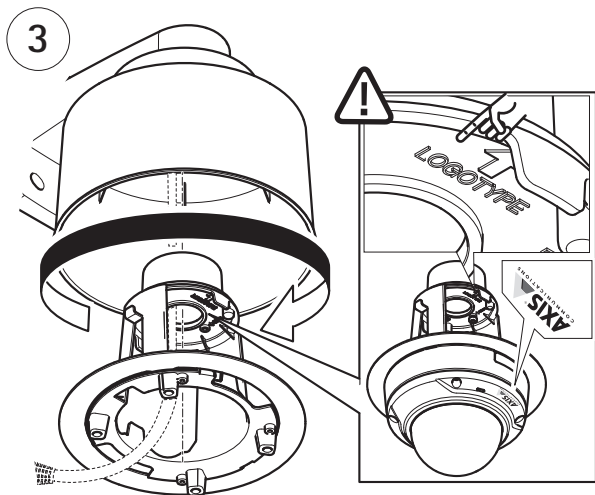


1

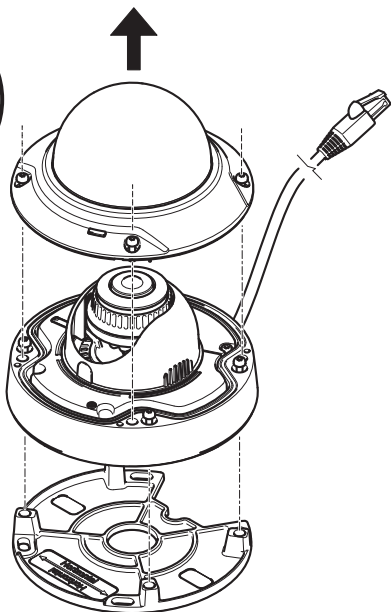
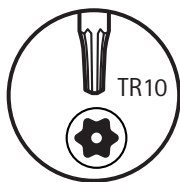


2

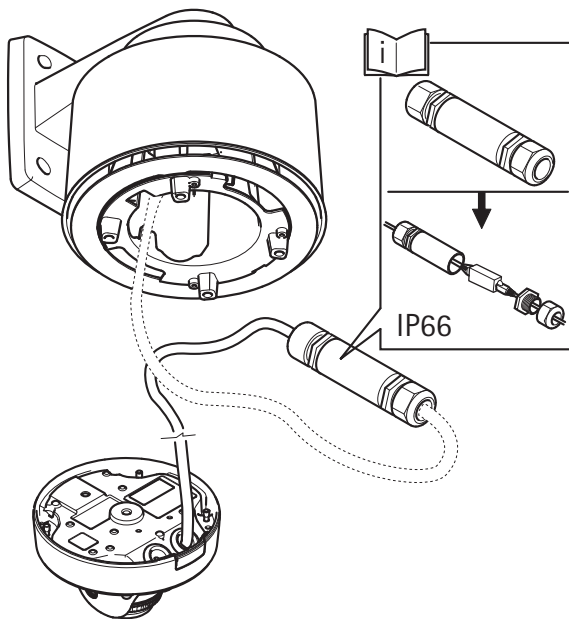
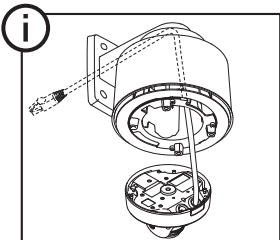




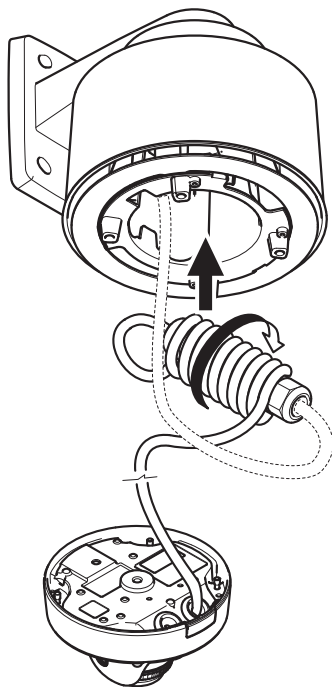
5

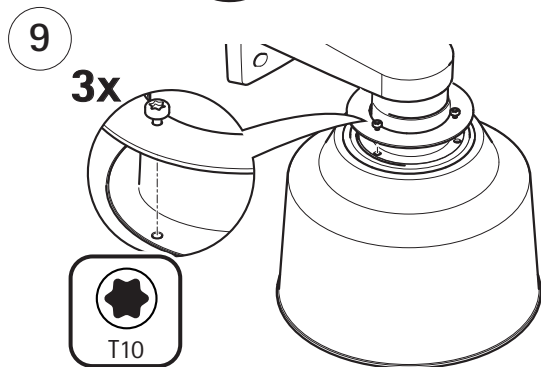
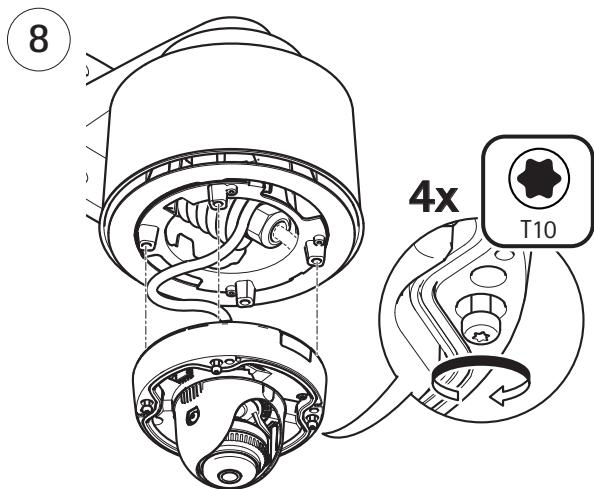


6

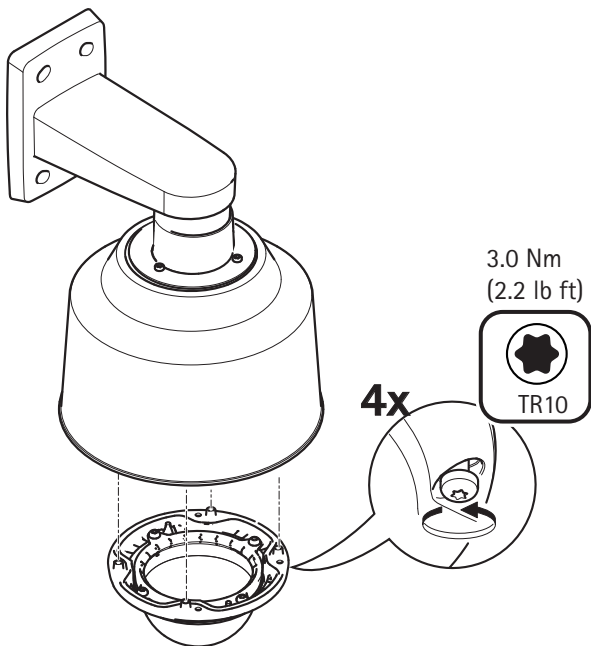


7





10



Installation Guide

AXIS T94F02D Pendant Kit

© Axis Communications AB, 2014-2015

Ver.3.0

Printed: May 2015

Part No. 63248