

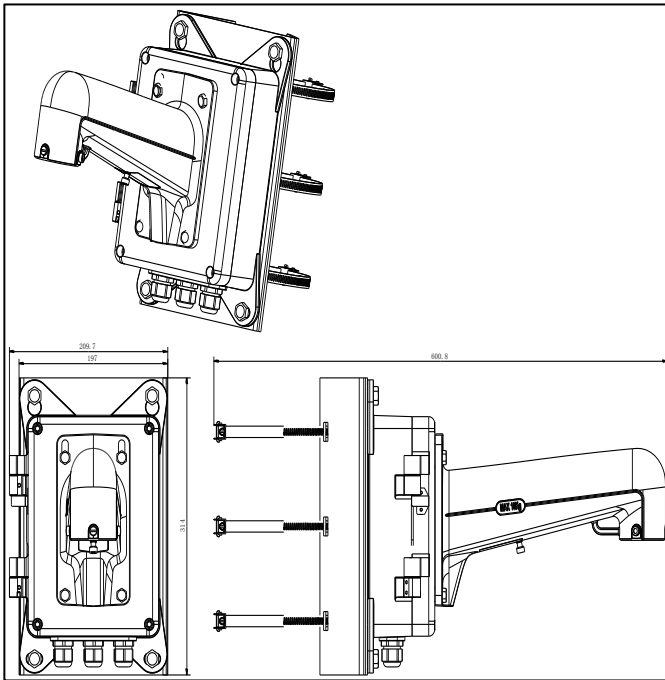
DS-1602ZJ-BOX-POLE

Vertical Pole Mount Bracket

Features:

- Aluminum alloy & steel material with surface spray treatment
- Design with junction box
- Design of safety rope for more convenient installation

Dimension:



Note: The actual bracket may vary from the picture above.



Order model:

DS-1602ZJ-BOX-POLE

Parameters:

Model	DS-1602ZJ-BOX-POLE
Parameter	Vertical Pole Mount Bracket
Color	Hikvision white
Feature	Suitable for speed dome pendent mounting
Material	Aluminum & Steel
Dimension	209.7×314×600.8mm
Weight	6840g

Notice:

- The bracket should be installed on flat wall
- The bracket is suitable for vertical pole mount of 100-200 mm diameter
- Load capacity of pole should be more than 3 times the weight of camera and bracket
Load capacity of clamp is 10KG