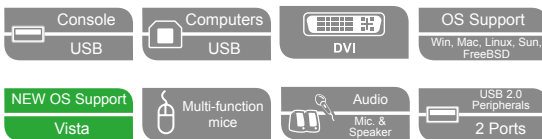


CS1784

4-Port USB 2.0 DVI KVMP Switch

The CS1784 DVI KVMP Switch charts a revolutionary new direction in KVM switch functionality by combining a 4-port KVM switch with a 2-port USB 2.0 hub at the same time as providing an interface for a DVI monitor and audio support.

Dual Link
DVI
Compatible



*Supports high resolution monitor

Features

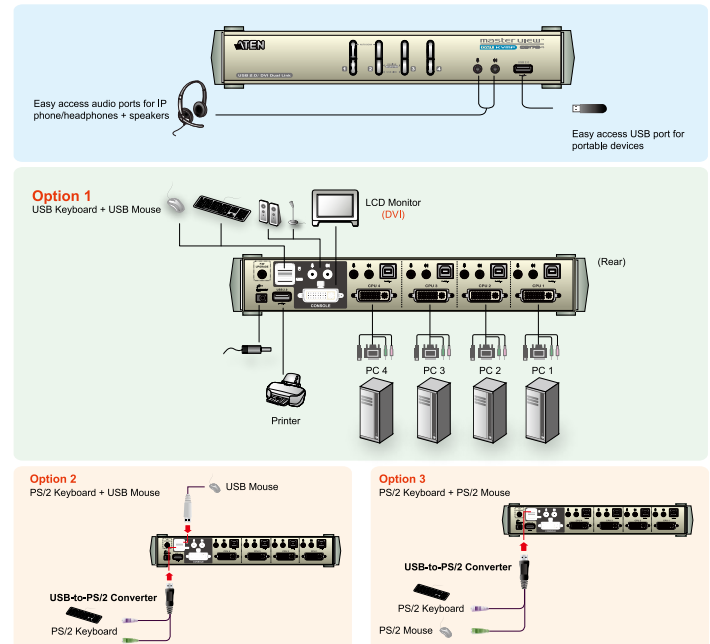
- One USB console controls four computers and two additional USB devices
- 2-port USB 2.0 hub built in
- USB 2.0 compliant
- Full bass response provides a rich experience for 2.1 channel surround sound systems
- Console audio ports on front panel for easy access – ideal for IP phone users
- Independent switching of KVM, USB, and Audio focus
- DVI digital and analog monitor support – fully compliant with the DVI specifications; also HDCP compliant
- Superior video quality – supports up to 2560 x 1600 (DVI Single Link)*; 2048 x 1536; DDC2B (DVI-A)
- Supports widescreen resolutions
- Computer selection via front panel pushbuttons and hotkeys
- Multiplatform support – Windows 2000/XP/Vista, Linux, Mac, and Sun
- Console mouse port emulation / bypass feature supports full mouse driver and multifunction mice
- Display Emulation Technology – the KVM switch reads and remembers the monitor's brand and display information
- Complete keyboard emulation for error-free booting
- Sun/Mac keyboard support and emulation**
- Auto Scan Mode for monitoring all computers
- Firmware upgradeable

*2560x1600@60Hz (DVI Dual Link); 3840x2400@13Hz (DVI Single Link) only supports specific monitor resolution

**1. PC keyboard combinations emulate Sun/Mac keyboards
2. Sun/Mac keyboards only work with their own computers

Setup

3 Keyboard/Mouse Combinations



Specifications

Function	CS1784		
Computer Connections	4		
Port Selection	Hotkey; Pushbutton		
Connectors	Console Ports	Keyboard	1 x USB Type A Female (Black)
		Mouse	1 x USB Type A Female (Black)
		Video	1 x DVI-I Female (White)
		Speaker	2 x Mini Stereo Jack Female (Green)
		Microphone	2 x Mini Stereo Jack Female (Pink)
	Computer Connectors	Keyboard / Mouse	4 x USB Type B Female (White)
		Video	4 x DVI-I Female (White)
		Speaker	4 x Mini Stereo Jack Female (Green)
		Microphone	4 x Mini Stereo Jack Female (Pink)
		USB Hub	2 x USB Type A Female (White)
F/W Upgrade	1 x 4-conductor 3.5mm Jack (Black)		
Power	1 x DC Jack		
Switches	Port 4 x Pushbutton		
LEDs	USB Link 4 (Green)		
	On Line/Selected 4 (Orange)		
Emulation	Keyboard/Mouse USB		
Video	DVI-D: 2560 x 1600 @60Hz(Dual Link) 1920 x 1200@60Hz(Single Link) 3840 x 2400 @13Hz(Single Link); DVI-A: 2048 x 1536; DDC2B		
Scan Interval	1-99 secs. (5 secs. default)		
Power Consumption	DC5.3V, 9W, 1.7A		
Environment	Operation Temp.	0-50°C	
	Storage Temp.	-20-60°C	
	Humidity	0-80% RH, Non-condensing	
	Housing	Metal	
Physical Properties	Weight	0.94kg	
	Dimensions (L x W x H)	27.00 x 8.70 x 5.50 cm	

* The specifications and pictures are subject to change without notice.