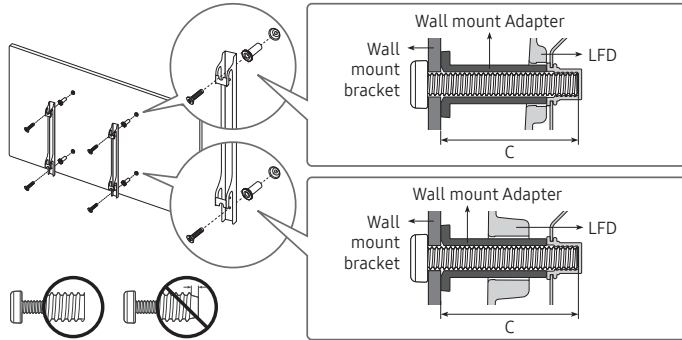
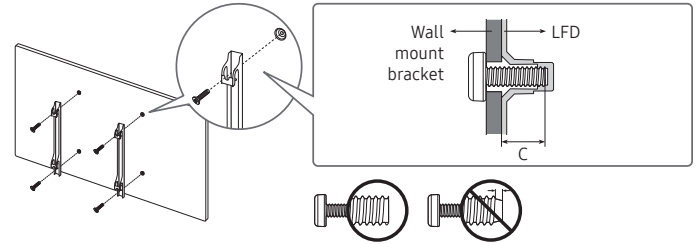


# VESA Specifications



With Wall mount Adapter (A Type)



Without Wall mount Adapter (B Type)

Product	Model	Model size in inches	VESA screw hole specs (A * B) in millimeters	Wall mount Adapter	C(mm)	Standard Screw	Quantity
LFD	QMR	32	200 x 200	X (B Type)	21-23	M8	4
	QMR/QBR/QHR	43	200 x 200	O (A Type)	43-45	M8	4
		49		O (A Type)			
		55		O (A Type)			
		65	400 x 400	O (A Type)			
		75		O (A Type)			
	QMN	85	600 x 400	X (B Type)	17-19	M8	4
		98	900 x 600	X (B Type)			
	QER	82	600 x 400	X (B Type)	42-44	M8	4
	QPR-8K	82	600 x 400	O (A Type)	21-23	M8	4
O (A Type)							