



# User Manual

SOUNDBAR 2.0  
VXA-220

Please read this manual carefully for proper usage before installation and use. It is recommended to keep this manual for future check. The pictures in this manual are only for reference.

# Contents

<b>1. Important Safety Instructions</b> .....	<b>4</b>
1.1 Safety.....	4
1.2 Caution.....	5
1.3 Warning.....	5
<b>2. What's in the Box</b> .....	<b>6</b>
<b>3. Identifying the parts</b> .....	<b>7</b>
3.1 Main Unit.....	7
3.2 Wireless Subwoofer.....	8
<b>4. Preparations</b> .....	<b>8</b>
4.1 Prepare the Remote Control.....	8
4.2 Replace the remote control battery.....	9
4.3 Precautions concerning batteries.....	9
<b>5. Placement and Mounting</b> .....	<b>9</b>
5.1 Placement.....	9
5.2 Wall Mounting.....	10
<b>6. Connections</b> .....	<b>11</b>
6.1 Use the optical socket.....	11
6.2 Use the AUX socket.....	11
6.3 Connect Power.....	12
<b>7. Basic Operation</b> .....	<b>12</b>
7.1 Standby/ON.....	12
7.2 Select modes.....	12
7.3 Adjust the volume.....	12
<b>8. AUX/Optical operation</b> .....	<b>13</b>
<b>9. Bluetooth Operation</b> .....	<b>13</b>
9.1 Connect to a Bluetooth device.....	13
9.2 Disconnect the Bluetooth function.....	14
9.3 Listen to Music from Bluetooth Device.....	14

<b>10. Troubleshooting</b> .....	<b>15</b>
<b>11. Technical specifications</b> .....	<b>16</b>
11.1 Soundbar .....	16
11.2 Bluetooth .....	16
11.3 Remote Control .....	17
<b>12. Marking</b> .....	<b>17</b>

# 1. Important Safety Instructions



The lightning flash with arrowhead symbol, within an equilateral triangle, is intended to alert the user to the presence of uninsulated “dangerous voltage” within the product’s enclosure that may be of sufficient magnitude to constitute a risk of electric shock to persons.



The exclamation point within an equilateral triangle is intended to alert the user to the presence of important operating and maintenance (servicing) instructions in the literature accompanying the appliance.

## 1.1 Safety

1. Read these instructions - All the safety and operating instructions should be read before this product is operated.
2. Keep these instructions-The safety and operating instructions should be retained for future reference.
3. Heed all warnings - All warnings on the appliance and in the operating instructions should be adhered to.
4. Follow all instructions - All operating and use instructions should be followed.
5. Do not use this apparatus near water - The appliance should not be used near water or moisture - for example, in a wet basement or near a swimming pool and the like.
6. Clean only with a dry cloth.
7. Do not block any ventilation openings. Install in accordance with the manufacturer’s instructions.
8. Do not install near any heat sources such as radiators, heaters, stoves, or other apparatus (including amplifiers) that produce heat.
9. Do not defeat the safety purpose of the polarized or grounding plug. A polarized plug has two blades with one wider than the other. A grounding plug has two blades and a third grounding prong. The wide blade or the third prong is provided for your safety. If the provided plug does not fit into your outlet, consult an electrician for replacement of the obsolete outlet.
10. Protect the power cord from being walked on or pinched particularly at plugs, convenience receptacles, and the point where they exit from the apparatus.
11. Only use attachments/accessories specified by the manufacturer.
12. Use only with the cart, stand, tripod, bracket or table specified by the manufacturer, or sold with the apparatus. When a cart or rack is used, use caution when moving the cart/ apparatus combination to avoid injury from tip-over.
13. Unplug the apparatus during lightning storms or when unused for long periods of time.
14. Refer all servicing to qualified personnel. Servicing is required when the apparatus has been damaged in any way, such as power supply cord or plug is damaged, liquid has been spilled or objects have fallen into the apparatus, the unit has been exposed to rain or moisture, does not operate normally, or has been dropped.

15. This equipment is a Class II or double insulated electrical appliance. It has been designed in such a way that it does not require a safety connection to electrical earth.
16. The apparatus shall not be exposed to dripping or splashing. No objects filled with liquids, such as vases, shall be placed on the apparatus.
17. Minimum distance around the apparatus for sufficient ventilation is 5 cm.
18. The ventilation should not be impeded by covering the ventilation openings with items, such as newspapers, tablecloths, curtains, etc.
19. No naked flame sources, such as lighted candles, should be placed on the apparatus.
20. Batteries should be recycled or disposed of as per state and local guidelines.
21. The use of apparatus in moderate climates.

### 1.2 Caution

- Use of controls or adjustments or performance of procedures other than those described herein, may result in hazardous radiation exposure or other unsafe operation.
- To reduce the risk of fire or electric shock, do not expose this apparatus to rain or moisture. The apparatus must not be exposed to dripping or splashing and objects filled with liquids, such as vases, must not be placed on apparatus.
- The mains plug/appliance coupler is used as the disconnect device, the disconnect device must remain readily operable.

- Danger of explosion if battery is incorrectly replaced.
- Replace only with the same or equivalent type.

### 1.3 Warning

- The battery (batteries or battery pack) shall not be exposed to excessive heat such as sunshine, fire or the like.
- Before operating this system, check the voltage of this system to see if it is identical to the voltage of your local power supply.
- Do not place this unit close to strong magnetic fields.
- Do not place this unit on the amplifier or receiver.
- Do not place this unit close to damp areas as the moisture will affect the life of the laser head.
- If any solid object or liquid falls into the system, unplug the system and have it checked by qualified personnel before operating it any further.
- Do not attempt to clean the unit with chemical solvents as this may damage the finish. Use a clean, dry or slightly damp cloth.
- When removing the power plug from the wall outlet, always pull directly on the plug, never yank on the cord.
- Changes or modifications to this unit not expressly approved by the party responsible for compliance will void the user's authority to operate the equipment.
- The rating label is pasted on the bottom or back of the equipment.



### **DO NOT INGEST BATTERY, CHEMICAL BURN HAZARD**

If you think batteries might have been swallowed or placed inside any part of the body, seek immediate medical attention. Keep new and used batteries away from children. If the battery compartment does not close securely, stop using the product and keep it away from children. The remote control supplied with this product contains a coin/button cell battery. If the coin/button cell battery is swallowed, it can cause severe internal burns in just 2 hours and lead to death.



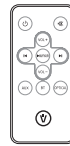
### **RISK OF ELECTRIC SHOCK DO NOT OPEN**

To reduce the risk of electric shock, do not remove cover or back. No user-serviceable parts inside. Refer servicing to qualified service personnel.

## **2. What's in the Box**



Main Unit



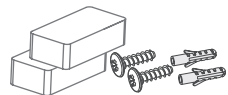
Remote Control



AC Power Cable



3.5 mm to 3.5 mm audio Cable

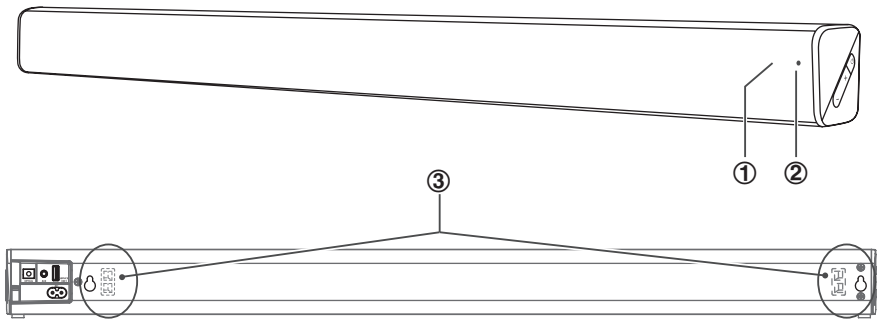


Rubber/Wall Screws  
Wall Dowels

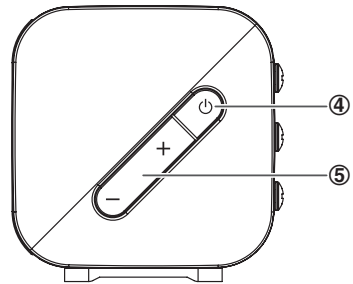
*Design and specifications are subject to change without notice.*

### 3. Identifying the parts

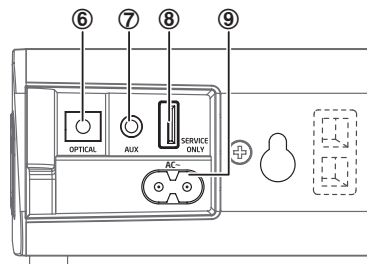
#### 3.1 Main Unit



1. Remote Control Sensor
2. LED Indicators.  
Red indicator: In standby mode  
Green indicator: In AUX mode  
Blue indicator: In Bluetooth mode  
White indicator: In optical mode

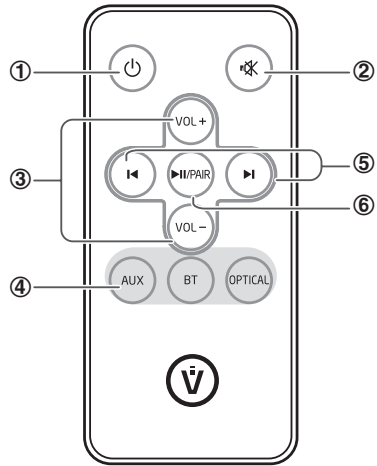


3. Wall hanging slots/Rubber location, use these to hang the sound bar on a wall
4. Power button. Turn On/Off the unit and select the play function
5. Increase/decrease the volume level
6. Optical socket, connect to an external audio device
7. AUX socket, Connect to an external audio device
8. SERVICE ONLY socket.  
The USB socket is for service only. It is not designed to charge smartphones, tablets or similar devices.
9. AC~ Socket. Connect to power



### 3.2 Wireless Subwoofer

1. Power button, turn On/Off the unit
2. Mute or resume the sound
3. Increase/decrease the volume level
4. Function buttons, select the play function
5. Previous/Next (track) in Bluetooth mode
6. Play/pause in Bluetooth mode/Pair. Press and hold to activate the pairing function in Bluetooth mode or disconnect the existing paired Bluetooth device.

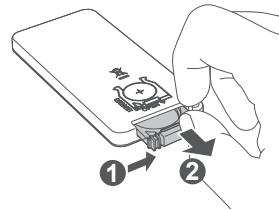
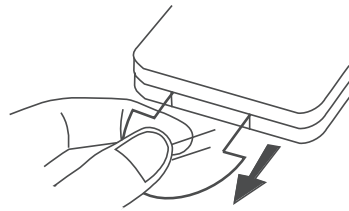


## 4. Preparations

### 4.1 Prepare the Remote Control

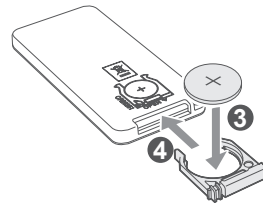
The provided Remote Control allows the unit to be operated from a distance.

- Even if the Remote Control is operated within the effective range 6 m, remote control operation may be impossible if there are any obstacles between the unit and the remote control
- If the Remote Control is operated near other products which generate infrared rays, or if other remote control devices using infra-red rays are used near the unit, it may operate incorrectly. Conversely, the other products may operate incorrectly



#### First-time use:

The unit has a pre-installed lithium CR2025 battery. Remove the protective tab to activate the remote control battery.





## 4.2 Replace the remote control battery

The remote control requires a CR2025, 3V Lithium battery.

1. Push the tab on the side of the battery tray towards the tray
2. Now slide the battery tray out of the remote control
3. Remove the old battery. Place a new CR2025 battery into the battery tray with the correct polarity (+/-) as indicated
4. Slide the battery tray back into the slot in the remote control

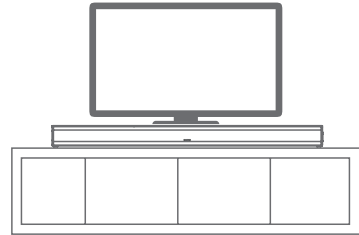
## 4.3 Precautions concerning batteries

- When the Remote Control is not to be used for a long time (more than a month), remove the battery from the Remote Control to prevent it from leaking
- If the batteries leak, wipe away the leakage inside the battery compartment and replace the batteries with new ones
- Do not use any batteries other than those specified
- Do not heat or disassemble batteries
- Never throw them in fire or water
- Do not carry or store batteries with other metallic objects. Doing so could cause batteries to short circuit, leak or explode
- Never recharge a battery unless it is confirmed to be a rechargeable type

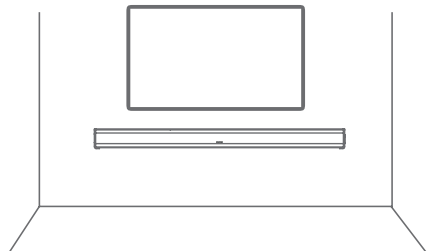
# 5. Placement and Mounting

## 5.1 Placement

If your TV is placed on a table, you can place the unit on the table directly in front of the TV stand, centered with the TV screen.

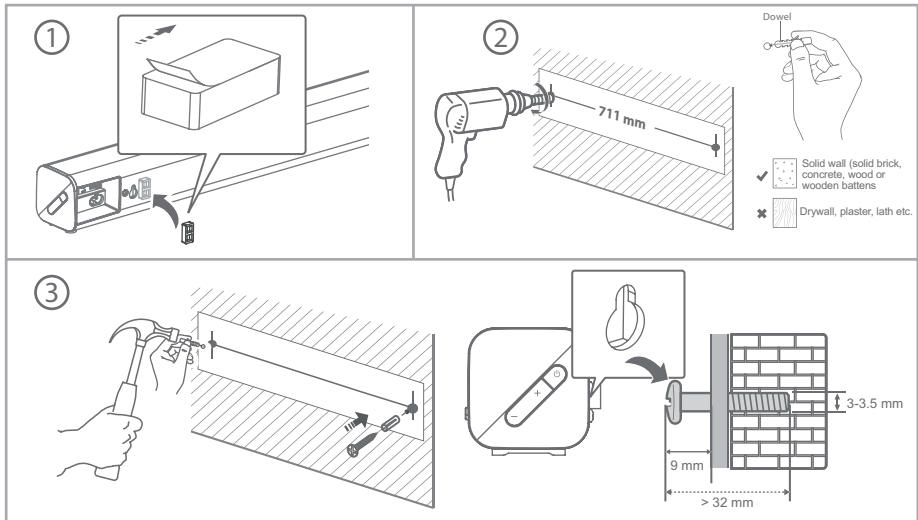


If your TV is attached to a wall, you can mount the unit on the wall directly below the TV screen.



## 5.2 Wall Mounting

- Installation must be carried out by qualified personnel only. Incorrect assembly can result in severe personal injury and property damage (if you intend to install this product yourself, you must check for installations such as electrical wiring and plumbing that may be buried inside the wall). It is the installer's responsibility to verify that the wall will safely support the total load of the unit and wall brackets
- Additional tools (not included) are required for the installation
- Do not overtighten screws
- Keep this instruction manual for future reference.
- Use an electronic stud finder to check the wall type before drilling and mounting



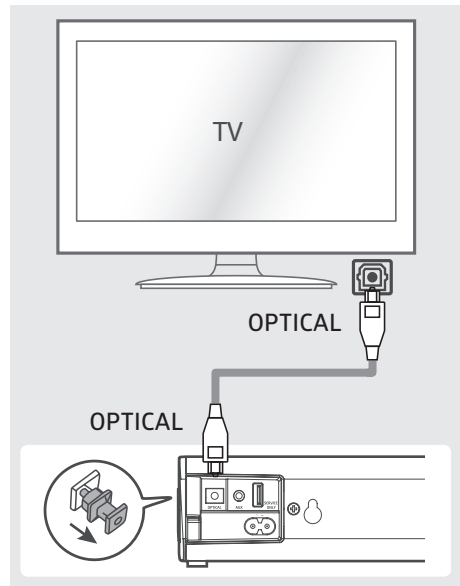
1. Remove the backing paper from the rubber. Stick the rubber to the back of the soundbar.  
**NOTE:** Ensure the surface is clean prior to sticking the rubber to the back of the soundbar
2. Drill 2 parallel holes ( $\varnothing$  3-8 mm each according to wall type) in the wall. The distance between the holes should be 711 mm. Firmly fix 1 dowel into each hole in the wall if necessary
3. Leave a 9 mm gap between the wall and the screw's head. Lift the soundbar over the heads of the screws and slot into place

## 6. Connections

### 6.1 Use the optical socket

Remove the protective cap of the optical socket, then connect an optical cable (not included) to the TV's "optical out" socket and the optical socket on the unit.

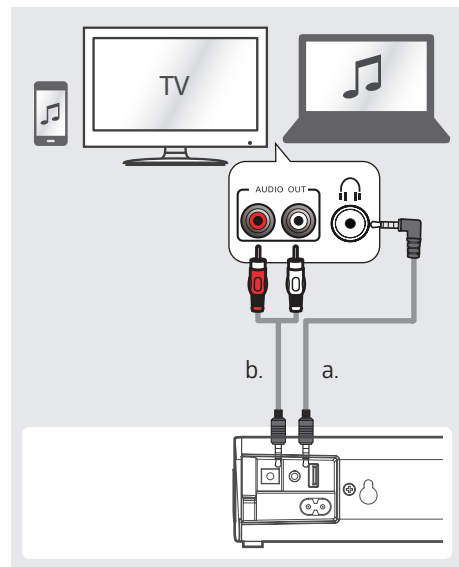
The digital optical connector might be labeled SPDIF or SPDIF OUT.



Picture 6.1

### 6.2 Use the AUX socket

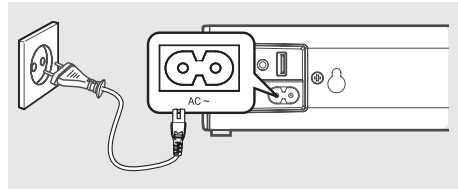
- Use a 3.5 mm to 3.5 mm audio cable (included) to connect the TV's or external audio device headphone socket to the AUX socket on the unit.
- Use a RCA to 3.5 mm audio cable (not included) to connect the TV's audio output sockets to the AUX socket on the unit.



Picture 6.2

## 6.3 Connect Power

- **Risk of product damage!** Ensure that the power supply voltage corresponds to the voltage printed on the back or the underside of the unit
- Before connecting the AC power cord, ensure you have completed all other connections
- Connect the mains cable to the AC~ Socket of soundbar and then into a mains socket.



Picture 6.3

## 7. Basic Operation

### 7.1 Standby/ON

When you first connect the main unit to the mains socket, the main unit will be in Standby mode.

- Press the power button on the soundbar or on the remote control to switch the unit on.
- Press and hold the power button again on the remote control or on the soundbar to switch the unit back to standby mode. The indicator will light up red.
- Disconnect the mains plug from the mains socket if you want to switch the unit off completely.
- If a TV or an external device is connected, the unit will switch on automatically when the TV or the external device is switched on.
- When the has unit no input signal (or weak input signal) for over 15 minutes, it will automatically switch to Standby mode.

### 7.2 Select modes

1. Press the power button on the soundbar or press the AUX, BT, OPTICAL buttons on the remote control to select the desired mode.
2. The indicator light on the front of the soundbar will show which mode is currently in use.

*LED Indicators.*

Red indicator: In standby mode  
Green indicator: In AUX mode  
Blue indicator: In Bluetooth mode  
White indicator: In optical mode

### 7.3 Adjust the volume

- Press the vol+/vol- buttons on the soundbar or on the remote control to adjust the volume.
- While adjusting the volume, the status indicator flashes quickly.
- While the volume level reaches its maximum level, if you press the vol+ button again, the status indicator flashes once. While the volume level reaches its minimum level, if you press the vol- button again, the status indicator flashes once.

- If you wish to turn the sound off, press the mute button on the remote control.
- Press the mute button again or press the vol+/vol- buttons on the soundbar or on the remote control to resume normal listening.

## 8. AUX/Optical operation

Ensure that the unit is connected to the TV or audio device.

1. While in ON mode, press the power button on the soundbar or press the AUX or Optical button on the remote control to select the desired mode
2. Operate your audio device directly for playback features
3. Press the vol +/- buttons to adjust the volume to your desired level.

### Tip:

While in Optical mode, if there's no sound output from the unit and the Optical indicator flashes, you may need to activate PCM signal output on your source device (eg. TV, DVD or Blu-ray player).

## 9. Bluetooth Operation

### 9.1 Connect to a Bluetooth device

The first time you connect your Bluetooth device to this player, you need to pair your device to this player.

1. While the soundbar is on, press the power button on the soundbar or press the BT button on the remote control to select Bluetooth mode. The Blue indicator will light up.
2. Activate your Bluetooth device and select the search mode. "VXA-220" will appear on your Bluetooth device list.  
If you cannot find the soundbar, press and hold the Play/Pause/ Pair button on the remote control to initiate device search. After the "Pairing" voice prompt, Blue indicator will flash rapidly.
3. Select "VXA-220" in the pairing list. After the "Paired" voice prompt, the system is successfully connected and the Blue indicator will light up solidly.
4. Begin playing music from the connected Bluetooth device.

### Note:

- The operational range between this player and a Bluetooth device is approximately 8 meters (without any object between the Bluetooth device and the unit).
- Before you connect a Bluetooth device to this unit, ensure you know the device's capabilities.
- Compatibility with all Bluetooth devices is not guaranteed.
- Any obstacle between this unit and a Bluetooth device can reduce the operational range.
- If the signal strength is weak, your Bluetooth receiver may disconnect, but it will re-enter pairing mode automatically.

## 9.2 Disconnect the Bluetooth function

- Switch to another function on the unit.
- Disable the Bluetooth function on your device. The device is successfully disconnected from the unit after the "Disconnected" voice prompt..
- Press and hold the pause/play/pair button on the remote control.

### Tips:

- Enter "0000" for the password if necessary
- If no other Bluetooth device pairs with this player in 2 minutes, the player will reconnect to the previous connection
- The player will also be disconnected when your device is moved beyond the operational range
- If you want to reconnect your device to this player, place it within the operational range
- If the device is moved beyond the operational range, when it is brought back, please check if the device is still connected to the player
- If the connection is lost, follow the instructions above to pair your device to the player again

## 9.3 Listen to Music from Bluetooth Device

If the connected Bluetooth device supports Advanced Audio Distribution Profile (A2DP), you can listen to the music stored on the device through the soundbar.

If the device also supports Audio Video Remote Control Profile (AVRCP), you can use the soundbars remote control to play music stored on the device.

1. Pair your device with the soundbar
2. Play music via your device (if it supports A2DP)
3. Use supplied remote control to control play (if it supports AVRCP)
4. To pause and resume playing, press the pause/play/pair button on the remote control
5. To skip to a track, press the previous/next button on the remote control

## 10. Troubleshooting

To keep the warranty valid, never try to repair the system yourself. If you encounter problems when using this unit, check the following points before requesting service.

No power	<ul style="list-style-type: none"><li>• Ensure that the AC cord of the apparatus is properly connected</li><li>• Ensure that there is power at the AC outlet</li><li>• Press standby button on the remote control or soundbar to turn the soundbar on</li></ul>
Remote control does not work	<ul style="list-style-type: none"><li>• Before you press any playback control button, first select the correct source</li><li>• Reduce the distance between the remote control and the unit</li><li>• Insert the battery with its polarities (+/-) aligned as indicated</li><li>• Replace the battery</li><li>• Aim the remote control directly at the sensor on the front of the unit</li></ul>
No sound	<ul style="list-style-type: none"><li>• Increase the volume. Press Volume Up on the remote control or nthe right side of the soundbar.</li><li>• Press MUTE on the remote control to ensure the soundbar is not muted</li><li>• Press source buttons to select a different input source</li><li>• When using either of the Digital inputs, if there is no audio try setting the TV output to PCM or connect directly to your Blu-ray/other source, some TVs do not pass through digital audio</li><li>• Your TV may be set to variable audio output. Confirm that the audio output setting is set to FIXED or STANDARD, not VARIABLE. Consult your TV's user manual for more detailed information</li><li>• If using Bluetooth, ensure that the volume on your source device is turned up and that the device is not muted</li></ul>

I can't find the Bluetooth name of this unit on my Bluetooth device	<ul style="list-style-type: none"> <li>• Ensure the Bluetooth function is activated on your Bluetooth device</li> <li>• Re-pair the unit with your Bluetooth device</li> </ul>
This is a 15 mins power off function, one of the ERPII standard requirement for saving power	When the unit's external input signal level is too low, the unit will be turned off automatically in 15 minutes. Please increase the volume level of your external device.
I hear buzzing or humming	<ul style="list-style-type: none"> <li>• Ensure all cables and wires are securely connected</li> <li>• Connect a different source device (TV, Blu-ray player, etc) to see if the buzzing persists. If it does not, the problem may be with the original device</li> <li>• Connect your device to a different input on the soundbar</li> </ul>

## 11. Technical specifications

### 11.1 Soundbar

Power requirements	AC 220-240V 50/60Hz
Output power	8W x 2
Power consumption	10W
Frequency response	40Hz - 20kHz
Audio input sensitivity (AUX)	700mV
Speaker impedance	4Ω x 2
Total Harmonic Distortion	1% (1kHz, 1W)
Unit Dimension (W x H x D)	802.3 x 63 x 66.8 mm

### 11.2 Bluetooth

Version	V4.2
Maximum power transmitted	<20 dbm
Frequency bands	2402MHz ~ 2480MHz



### 11.3 Remote Control

Distance	6 m
Angle	30°
Battery Type	CR2025

## 12. Marking

Declares that the design and manufacture of this product complies with the European directives for CE-marking as stated below:

2014/35/EU (LVD)

2014/30/EU (EMC)

2011/65/EU (RoHS)

2017/53/EU (RED)



Correct Disposal of this product.

This marking indicates that this product should not be disposed



with other household wastes

throughout the EU. To prevent possible harm to the environment or human health from uncontrolled waste disposal, recycle it responsibly to promote the sustainable reuse of material resources. To return your used device, please use the return and collection systems or contact the retailer where the product was purchased. They can take this product for environmental safe recycling.

**CE** We hereby declare that this product is in compliance with the essential requirements and other relevant provisions of Directive 2014/53/ EU.

**Bluetooth** The Bluetooth® word mark and logos are registered trademarks owned by Bluetooth SIG, Inc. We are the licensee to use such marks. Other trademarks and trade names are those of their respective owners.