

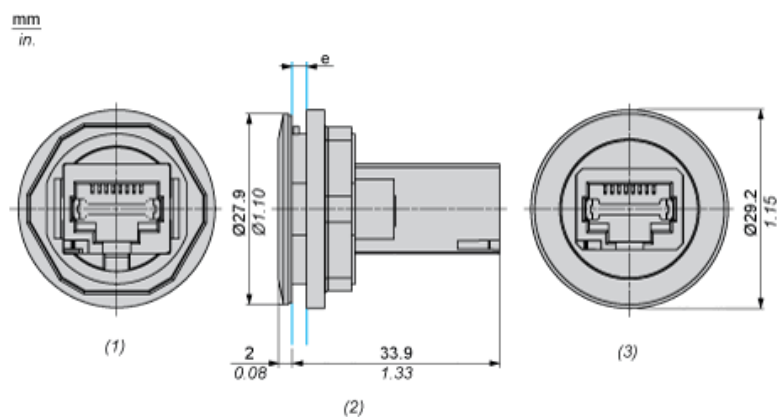
### Main

Range of product	Harmony XB5
Product or component type	Panel mounted RJ45 port
Device short name	XB5P

### Complementary

Sale per indivisible quantity	1
Mounting diameter	22 mm
Thickness	5 mm without protection cover 1.5...5 mm with protection cover plastic 1.5...5 mm with protection cover rigid plastic 1.5...2.5 mm with protection cover metal
Bezel material	Plastic
Fixing collar material	Plastic
Integrated connection type	RJ45 Ethernet 10 Gbit/s
Number of matings	750 cycles
IP degree of protection	IP20 front IEC 60529 IP20 back IEC 60529
Ambient air temperature for operation	-40...70 °C
Ambient air temperature for storage	-40...70 °C
Tightening torque	1.5 N.m
Vibration resistance	5 gn 10...500 Hz IEC 60068-2-6
Standards	IEC 60603-7
Product certifications	CSA UL listed
Height	28 mm
Width	28 mm
Depth	36 mm
Product weight	0.0266 kg

Dimensions

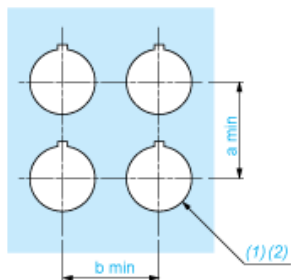


- (1) Back view
- (2) Side view
- (3) Front view
- (e)

Clamping thickness without accessory: 1.5 mm to 5 mm / 0.05 in to 0.19 in  
Clamping thickness with ZBSP1 & ZBSP2: 1.5 mm to 5 mm / 0.05 in to 0.19 in  
Clamping thickness with ZBSP3: 1.5 mm to 2.5 mm / 0.05 in to 0.10 in

Panel Cut-out for Panel Mounted RJ45 Port

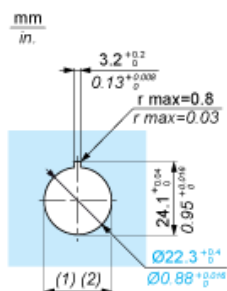
Connection by Screw Clamp Terminals or Plug-in Connectors



- (1) Diameter on finished panel or support
- (2)  $\text{\O}22.5 \text{ mm}$  recommended ( $\text{\O}22.3 \text{ 0}+0.4$ ) /  $\text{\O}0.89 \text{ in.}$  recommended ( $\text{\O}0.88 \text{ in. 0}+0.016$ )

Connections	a in mm	a in in.	b in mm	b in in.
By screw clamp terminal or plug-in connector	35	1.38	35	1.38

Panel Cut-out



- (1) Diameter on finished panel or support
- (2)  $\text{\O}22.5 \text{ mm}$  recommended ( $\text{\O}22.3 \text{ 0}+0.4$ ) /  $\text{\O}0.89 \text{ in.}$  recommended ( $\text{\O}0.88 \text{ in. 0}+0.016$ )